

MICRO SWITCH

FREEPORT ILLINOIS, U.S.A
A DIVISION OF HONEYWELL INC.
FED. MFG. CODE 91929

MINIATURE PRECISION LIMIT SWITCH

CATALOG LISTING

914CE3-6A

M 914CE3-6A

DRAWING NUMBER

ISSUE

REVISIONS

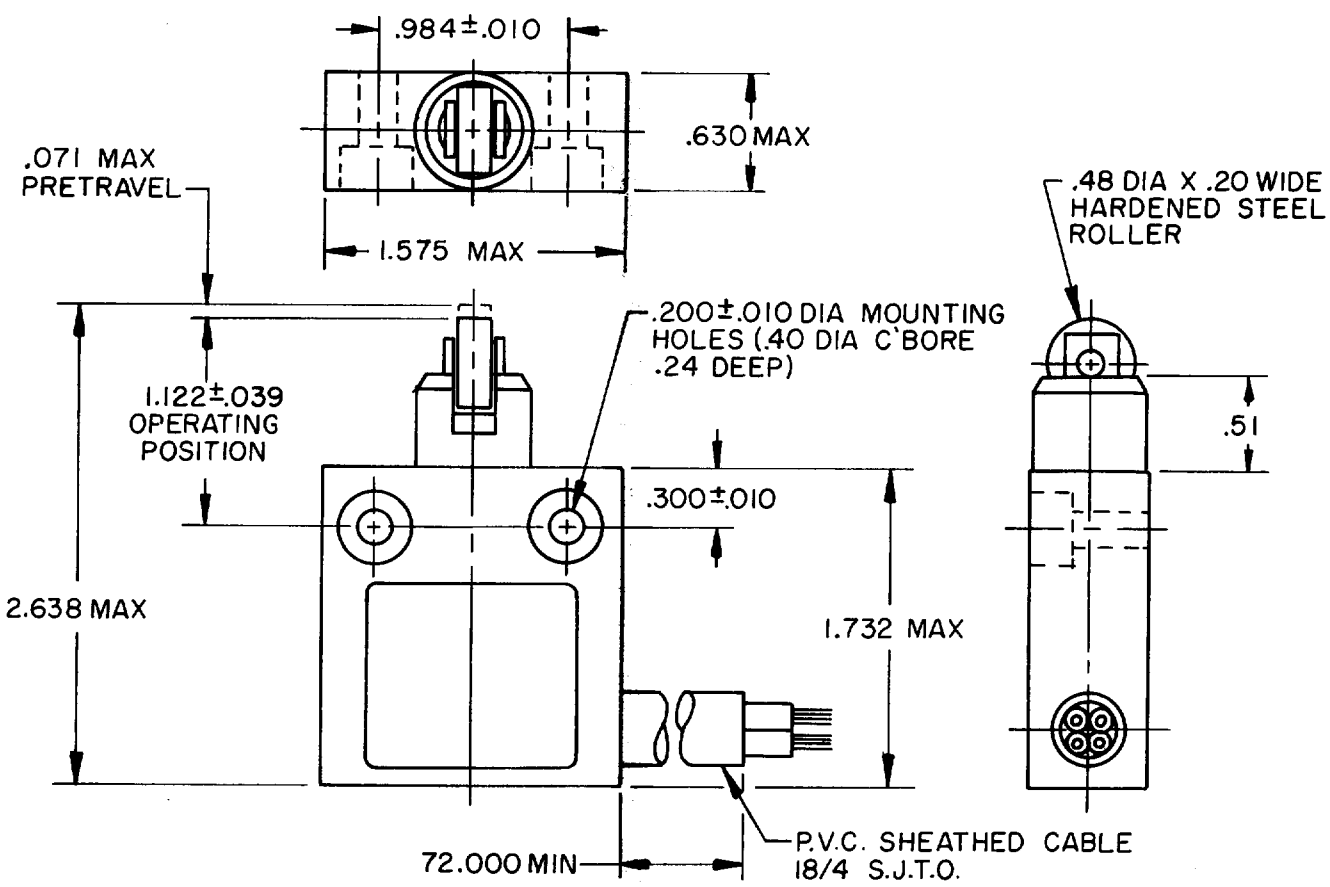
FO-52848-B

REPLACES

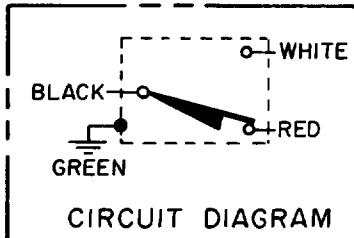
RELEASE NO. PR-17168

CHECK

CHECK 9 MAR 89 13 MAR 89




- NOTES**
- 1 - ZINC HOUSING FINISHED WITH GREY PAINT
 - 2 - SIDE EXIT CABLE



THIS DRAWING COVERS A PROPRIETARY ITEM AND IS THE PROPERTY OF MICRO SWITCH, A DIVISION OF HONEYWELL. THIS DRAWING IS NOT TO BE COPIED OR USED WITHOUT THE APPROVAL OF MICRO SWITCH.

CHARACTERISTICS	
OPERATING FORCE - - - -	2.7 LB MAX
RELEASE FORCE - - - - -	1.0 LB MIN
DIFFERENTIAL TRAVEL - - - -	.004 MAX
OVERTRAVEL - - - - -	.118 MIN

ELECTRICAL DATA	
CONTACT ARRANGEMENT	
S P D T	
UL LISTED - HONEYWELL LTD.	
FILE E 41859	
5A - 250 VAC	
1/10 HP-125 OR 250 VAC	
	
LR-15775	

SCALE	FULL	DO NOT SCALE PRINT
UNLESS OTHERWISE SPECIFIED TOLERANCES ARE		
ONE PLACE	(.0)	$\pm .030$
TWO PLACE	(.00)	$\pm .015$
THREE PLACE	(.000)	$\pm .005$
ANGLES		\pm
RAW MATERIAL - COMMERCIAL STANDARD		
DIMENSIONS ARE IN INCHES AND ARE TO BE MET BEFORE PROTECTIVE COATINGS ARE APPLIED		
MICRO SWITCH STANDARDS APPLY		
WEIGHT		

