

# Honeywell

SMALL PRECISION  
LIMIT SWITCH

CATALOGUE LISTING  
**914CE SERIES**  
CHART MTG-CE-10

SWITCH TYPE	ISSUE	RELEASE NUMBER	OPTIONS	DIFF. TRAVEL (MAX.)	OPERATING FORCE (MAX)		RELEASE FORCE (MIN)		OPERATING POSITION	MAX FREE LENGTH
					NEWTONS	GMF	NEWTONS	GMF		
914CE1	5	MEC87/118	NONE, A, F, G, P, LI, V	0.1	11.8	1200	4.4	450	15.7+1.0	54
			C.	0.5						
914CE2	5	MEC87/118	NONE, A, F, G, P, LI, V	0.1	11.8	1200	4.4	450	28.5+1.0	67
			C.	0.5						
914CE3			K.	0.1	22.5	2300				
914CE18	5	MEC87/118	NONE, A, F, G, P, LI, V	0.1	22.5	2300	4.4	450	24.9+1.0	63
			C.	0.5						
914CE19	6	MEC87/118	NONE, A, F, G, P, LI, V	0.1	17.5	1800	4.4	450	ADJUSTABLE 32 TO 39	77.4
			C.	0.5						
914CE22	6	MEC87/118	NONE, A, F, G, LI, V	0.1	11.8	1200	3	300	27.4 MAX	64.1
			C.	0.5						
914CE27	5	MEC87/118	NONE, A, F, G, LI, V	0.1	11.8	1200	4.4	450	29.3+1.0	67.2
			C.	0.5						
914CE28	5	MEC87/118	NONE, A, F, G, LI, V	0.1	11.8	1200	4.4	450	42.5+1.0	81
			C.	0.5						
914CE29	3	MS-11125	NONE, A, F, G, P, LI, V	0.1	22.5	2300	4.4	450	34.4+1.0	73
			C.	0.5						
914CE55	2	MEC87/118	NONE, A, F, G, P, LI, V	0.1	11.8	1200	4.4	450	24.4+1.0	63
			C.	0.5						

914 CE SERIES  
CHART MTG-CE-10

DRAWING NUMBER  
M

ISSUE  
8

REVISIONS

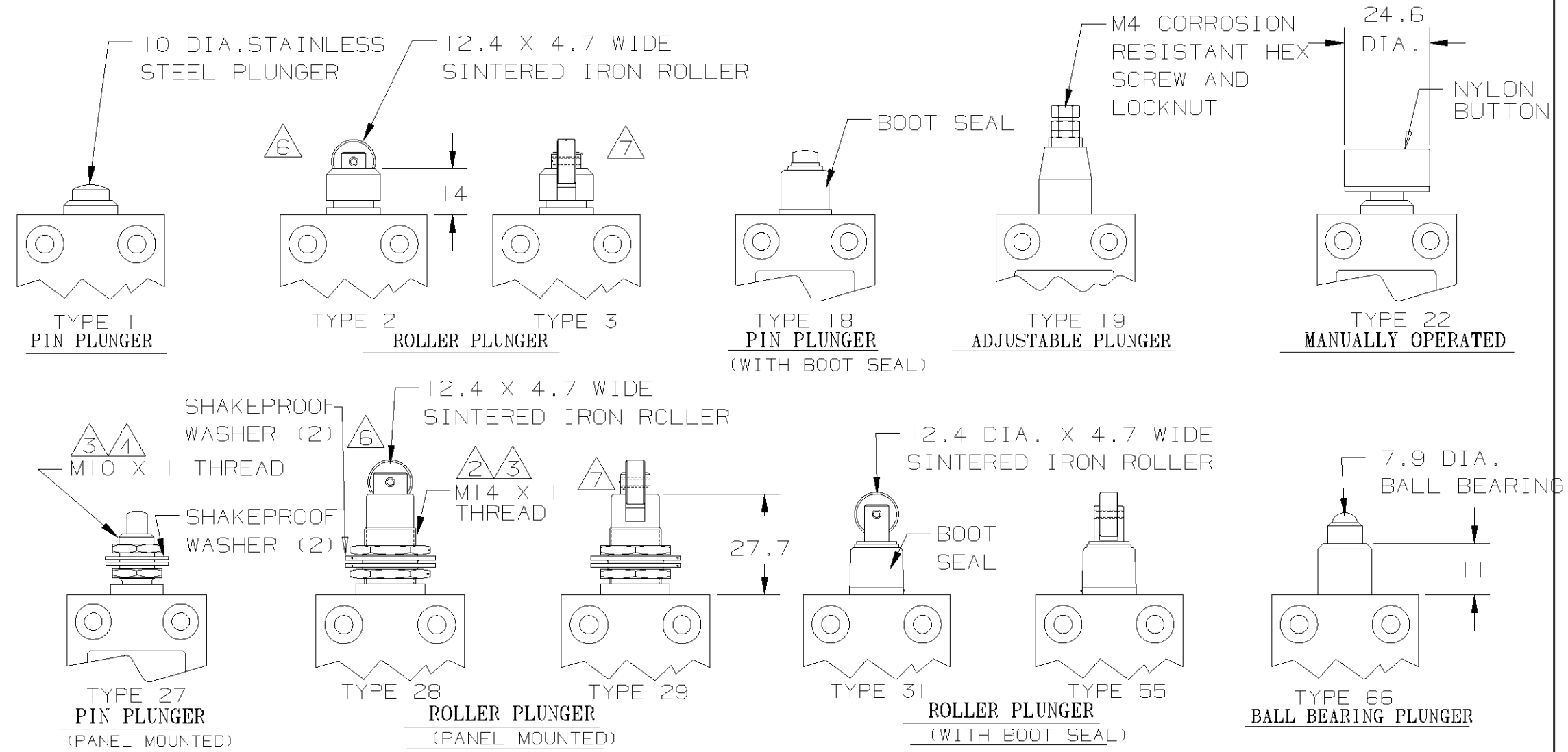
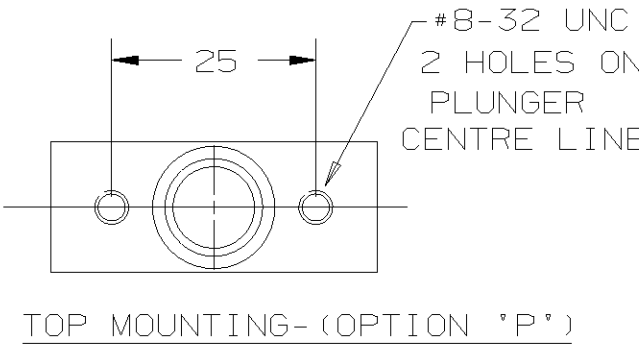
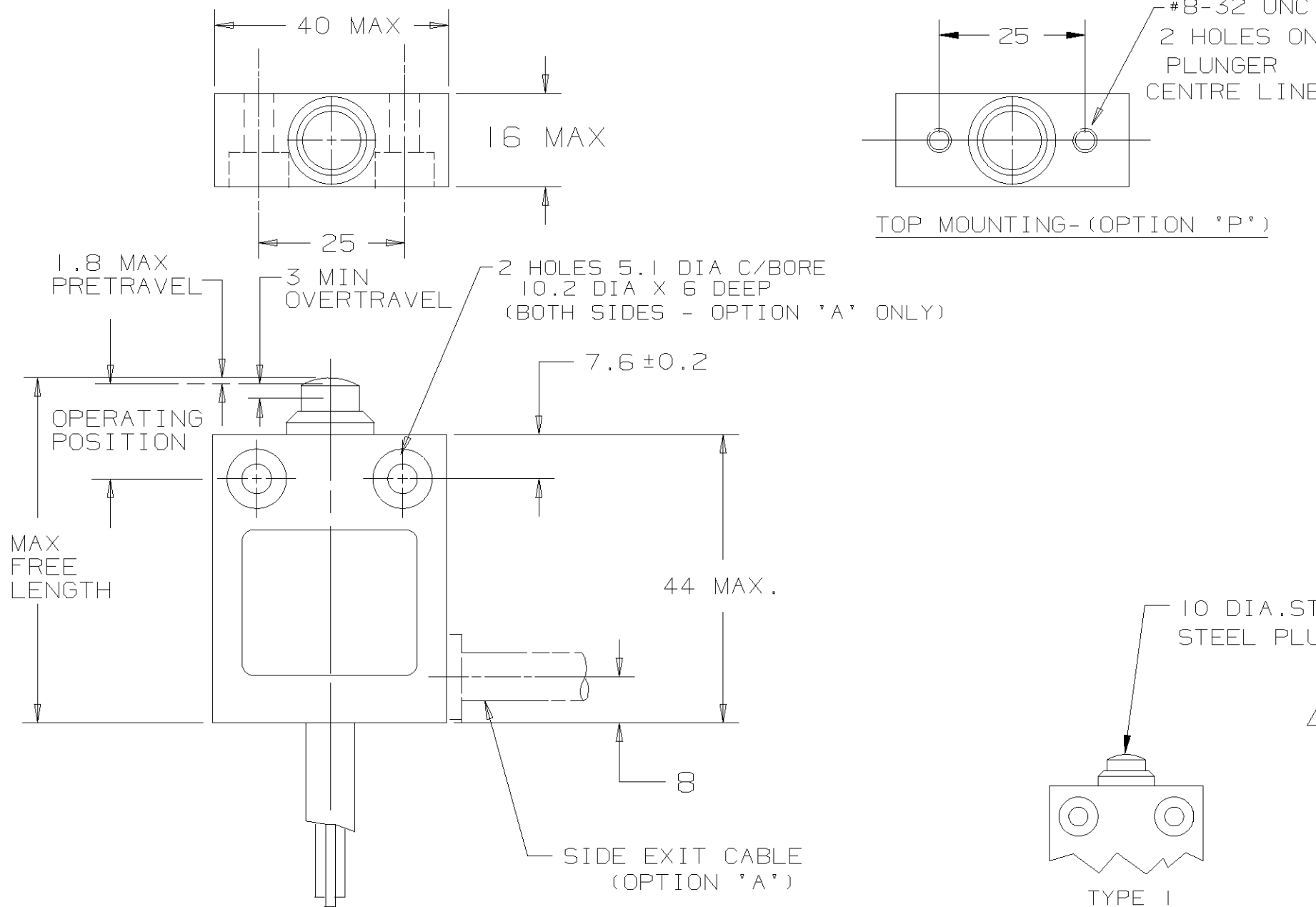
3	MS11135
11/7/88	HW
4	CNI4882
18/1/91	PC
5	2.4.93
MS-11818	
6	29/9/94
MS11907	
7	25/10/94
MS11985	
8	23/08/95
CN-16516	

RELEASE NUMBER MEC87/118 REPLACES

CHECK

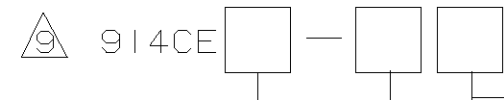
TRACED

DRAWN PC 10-11-87



**CATALOGUE LISTING CONVENTION**

OPTIONS CAN BE COMBINED WITHIN LOGICAL LIMITS (EG 914CE2-3AK)



ACTUATOR TYPE    CABLE LENGTH    OPTIONS

1, 2, 3, 18, 19, 22, 27, 28    LENGTH IN FEET  
29, 31, 55 OR 66

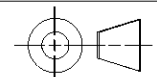
- A - SIDE ENTRY
  - C - DOUBLE BREAK BASIC
  - F - BIFURCATED GOLD CONTACTS
  - G - GOLD CONTACTS
  - K - 'O' RING SEALED PLUNGER
  - P - TOP MOUNTING
  - LI - LOW TEMP. (-40° C) CONSTRUCTION
  - V - 'VITON' SEALS
- CABLE NOT SUITABLE FOR FLEXING

**NOTES :-**

- 1 : DIE CAST HOUSING FINISHED IN GREY PAINT
- 2 : SWITCH MOUNTS THROUGH A 14,5 DIA HOLE
- 3 : MAXIMUM PANEL THICKNESS = 4,2
- 4 : SWITCH MOUNTS THROUGH 10.5 DIA HOLE
- 5 : TEMPERATURE RANGE : 0° C TO +70° C (STANDARD)
- 6 : ROLLER PARALLEL WITHIN 3° TO MOUNTING FACE
- 7 : ROLLER PERPENDICULAR WITHIN 3° TO MOUNTING FACE
- 8 : LOW TEMP. RANGE : -40° C TO +70° C.
- 9 : ALL LOGICAL LISTINGS ARE IEC 947-5-1 APPROVED EXCEPT: OPTIONS C, F, G.

THE COPYRIGHT OF THIS DRAWING IS THE PROPERTY OF HONEYWELL LTD. THE DRAWING IS SUPPLIED IN CONFIDENCE AND MUST NOT BE USED FOR ANY PURPOSE OTHER THAN THAT FOR WHICH IT IS SUPPLIED.

THIRD ANGLE PROJECTION



PLOT SCALE 1/1

BASIC SWITCH	ELECTRICAL RATINGS	CIRCUIT DIAGRAM	CABLE
STANDARD SILVER CONTACTS	5A - 250VAC 1/10HP - 125/250VAC LR15775	IEC 947-5-1 EN60947-5-1 AC14 D300 DC13 R300	4 X 18 A.W.G. SJTO (UL/CSA APPROVED)
BIFURCATED GOLD - OPTION 'F' OR GOLD CONTACTS - OPTION 'G'	1A VA 25 LR15775	S.P.D.T. RED 2 WHITE 3 BLACK 1 GREEN	5 CORE P.V.C. SHEATHED (UL LISTED)
DOUBLE BREAK SILVER CONTACTS OPTION - 'C'	5A - 250VAC 1/10HP - 125/250VAC LR15775	RED 2 BLACK 3 WHITE 1 BROWN 4 GREEN	