

**MICRO SWITCH**  
a Honeywell Division

FED. MFG. CODE 91929

**MINIATURE PRECISION  
LIMIT SWITCH**

CATALOG LISTING

**914CE2-6A**

914CE2-6A

**M**

DRAWING  
NUMBER

ISSUE  
1

REVISIONS

REPLACES

RELEASE NO. CO-69061

CHECK

CHECK

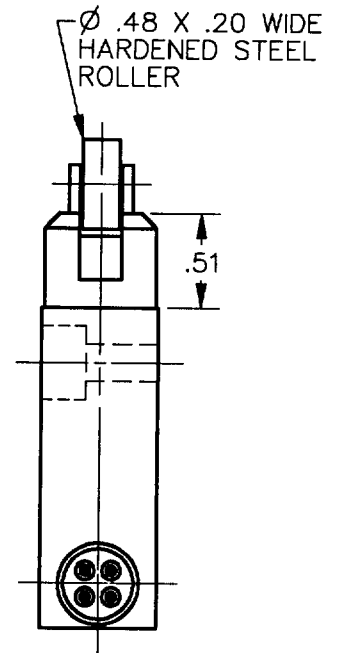
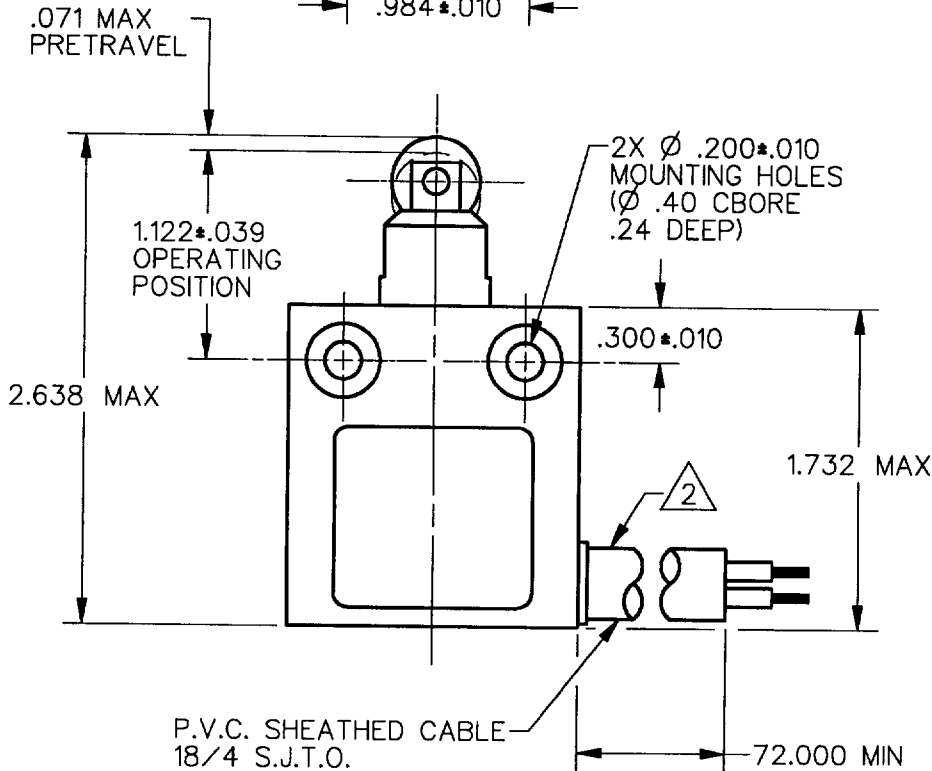
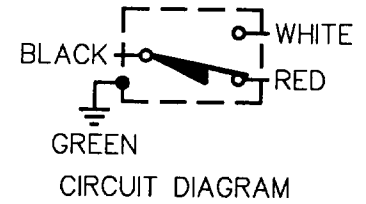
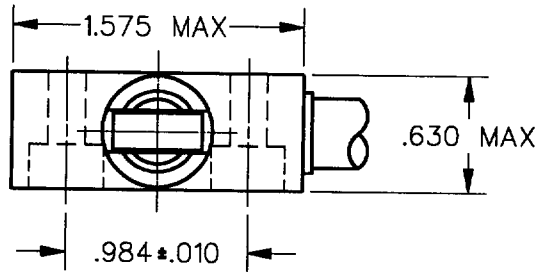
13 NOV 91

DAW

CHECK

SA V10 OCT 91

DDM/CAD  
DRAWN



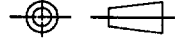
NOTES

- 1 - ZINC HOUSING FINISHED WITH GRAY PAINT
- 2 - SIDE EXIT CABLE

ANSI Y14.5M-1982 APPLIES

THIS DRAWING COVERS A PROPRIETARY ITEM AND IS THE PROPERTY OF MICRO SWITCH, A DIVISION OF HONEYWELL. THIS DRAWING IS NOT TO BE COPIED OR USED WITHOUT THE APPROVAL OF MICRO SWITCH.

THIRD ANGLE PROJECTION



CHARACTERISTICS	
OPERATING FORCE	2.7 LB MAX
RELEASE FORCE	1 LB MIN
DIFFERENTIAL TRAVEL	.004 MAX
OVERTRAVEL	.118 MIN

ELECTRICAL DATA

CONTACT ARRANGEMENT  
S P D T

5A - 250 VAC  
1/10HP - 125 OR 250 VAC



SCALE	FULL	DO NOT SCALE PRINT
ONE PLACE	(.0)	±.030
TWO PLACE	(.00)	±.015
THREE PLACE	(.000)	±.005
ANGLES		±
WEIGHT		

**UNLESS OTHERWISE SPECIFIED  
TOLERANCES ARE**

WEIGHT