

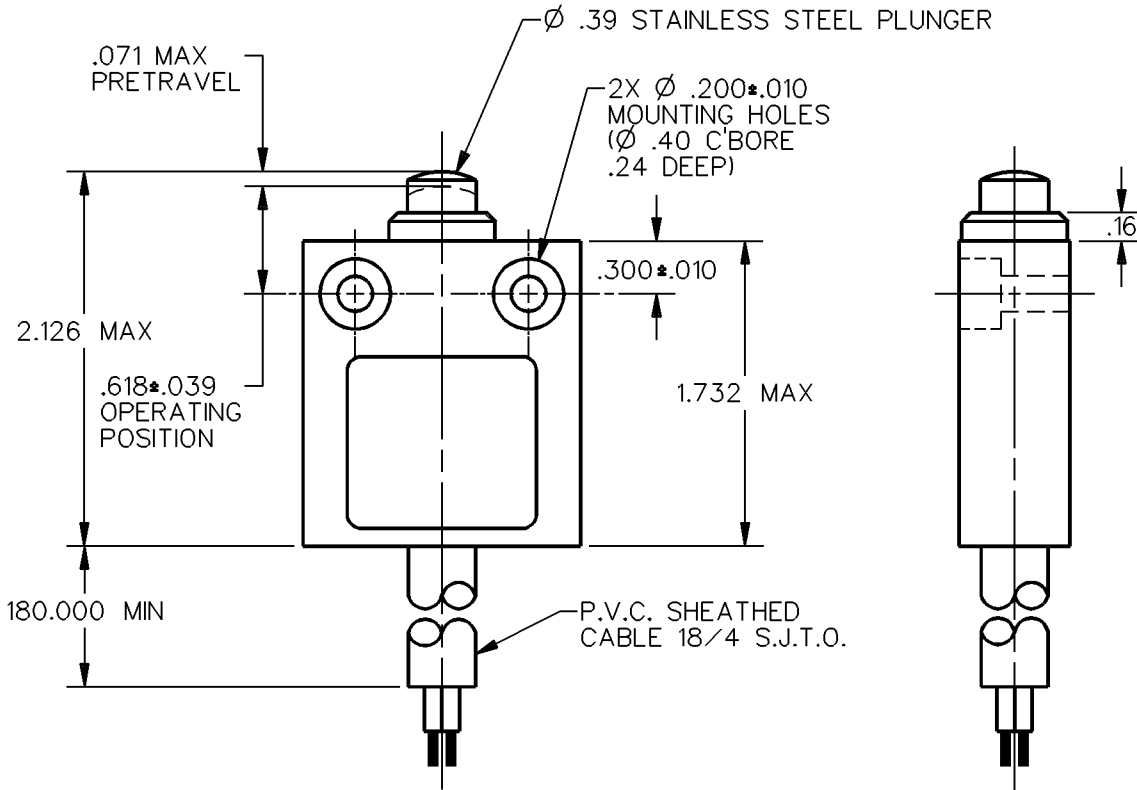
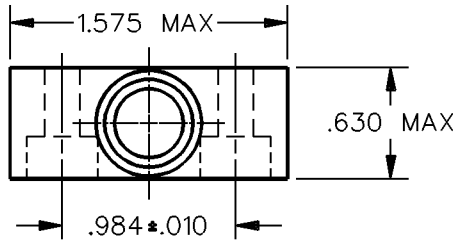
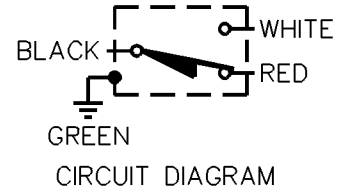
MICRO SWITCH
a Honeywell Division

FED. MFG. CODE 91929

**MINIATURE PRECISION
LIMIT SWITCH**

CATALOG LISTING

914CE1-15

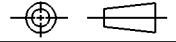


NOTES
1 - ZINC HOUSING FINISHED WITH GRAY PAINT

ANSI Y14.5M-1982 APPLIES

THIS DRAWING COVERS A PROPRIETARY ITEM AND IS THE PROPERTY OF MICRO SWITCH, A DIVISION OF HONEYWELL. THIS DRAWING IS NOT TO BE COPIED OR USED WITHOUT THE APPROVAL OF MICRO SWITCH.

THIRD ANGLE PROJECTION



CHARACTERISTICS	ELECTRICAL DATA CONTACT ARRANGEMENT S P D T	SCALE FULL	DO NOT SCALE PRINT
		<p>OPERATING FORCE — — — 2.7 LB MAX RELEASE FORCE — — — 1.0 LB MAX DIFFERENTIAL TRAVEL — — — .004 MAX OVERTRAVEL — — — .118 MIN</p>	
<p>5A - 250 VAC 1/10HP - 125 OR 250 VAC</p> <p>RU ®</p>		WEIGHT	

914CE1-15
 M
 DRAWING NUMBER
 ISSUE 2
 REVISIONS
 A CO-69061
 S A V 29 AUG 91
 CHECK
 CHECK
 DDM/CAD
 DRAWN
 S A V 29 AUG 91
 CHECK
 REPLACES
 RELEASE NO. PR-14357