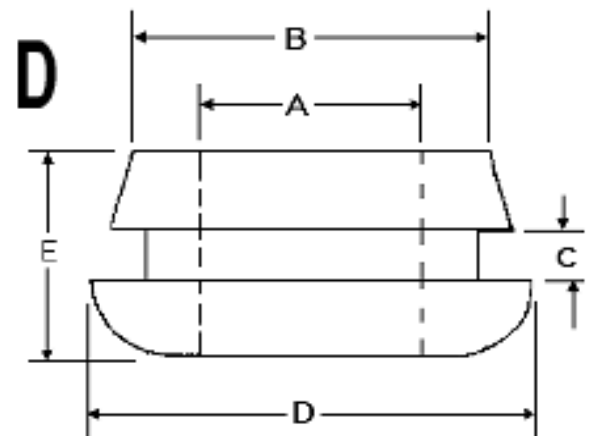
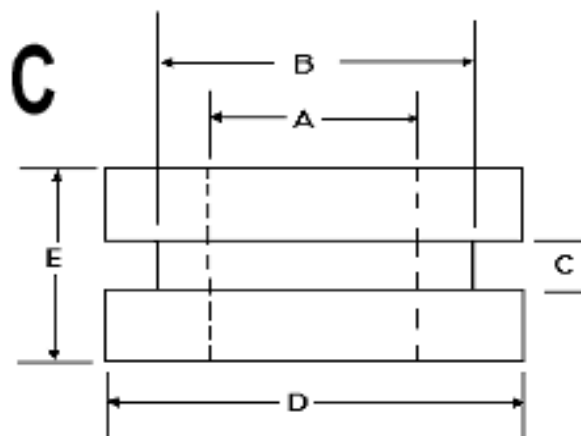
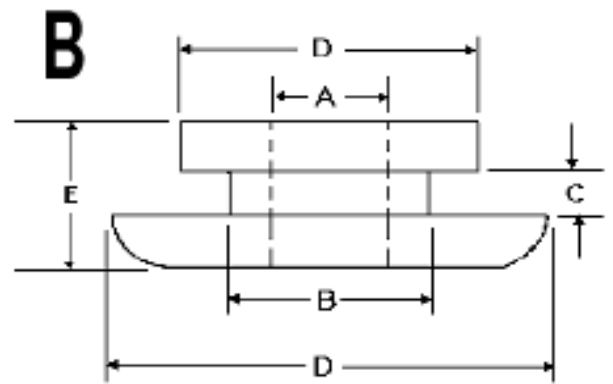
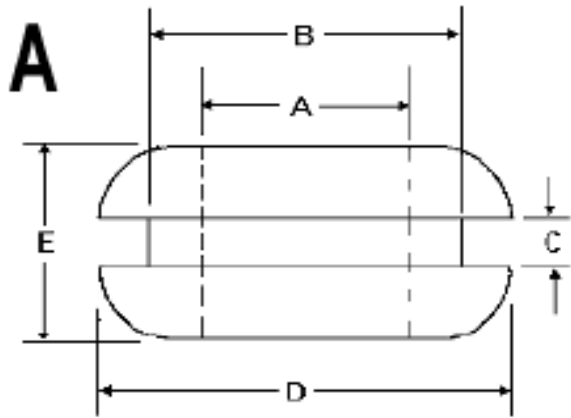


Grommets

- Grommets are made from Black Buna-S Synthetic Rubber(SBR), approximately 60 durometer, or Black Polyvinyl Chloride(PVC)
- Prevents wire chafing through holes in panels from 0.03125 to 1.03125" as indicated in table
- All parts indicated on this page are standard products, factory supported and distributor stocked



PART NO.	ILLUS.	INSIDE DIA.	MNTG. HOLE	CHASSIS THKNS.	O.D.	THKNS.
		A	B	C	D	E
2185	A	1/8	3/16	1/16	5/16	3/16
91114			1/4		11/32	
2058			5/32		3/8	
2172		3/16	5/16	7/16	7/32	
91103			7/16	1/8	9/16	3/8
2170		1/4	3/8	1/16	5/8	1/4
91122			11/32	1/32	1/2	5/32
91102			9/32	3/8	5/32	5/8
91123		5/16	1/2	1/4	11/16	7/16
91116				1/8	3/4	3/8
91106	D			3/16	5/8	1/2
2174	A			7/16	1/16	19/32
91117		1/8	9/16		3/8	
91107		3/32	5/8		5/16	
2175		3/8	1/2	1/16	41/64	1/4
91100			3/32	3/4	1/2	
91111	C	11/16	9/64	7/8-1"	13/32	
91109	B	7/8	1/4	1-1/16		
2177	A	7/16	9/16	1/16	3/4	1/4
2186		1/2	3/4		1-1/16	5/16
2188		9/16	13/16			
2187		5/8	7/8	1-1/8		
2189		3/4		1/32	1"	5/32
91112		49/64	1-3/32	1/16	1-5/8	5/16