


# INSULATED PC SPACER/SUPPORTS

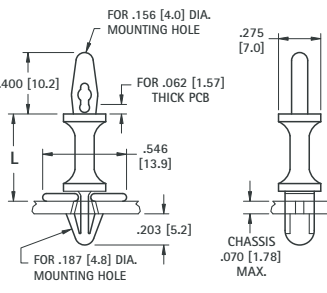
- Board will be electrically insulated, eliminates need for insulating washers
- No tool required for installation
- Easy snap-in assembly
- One pieces design eliminates the need for additional screws and nuts
- Fits snug onto board
- Accommodates varying board thicknesses
- Flame retardant

INSULATED PC SPACERS/SUPPORTS

**SLIM-LINE TENSION-FIT**




- One end permanently attaches to .070 (1.78) max. thick chassis
- Other end tension fits to .062 (1.57) max. thick PC board
- Board is easily releasable for repairs or upgrades
- Low insertion force



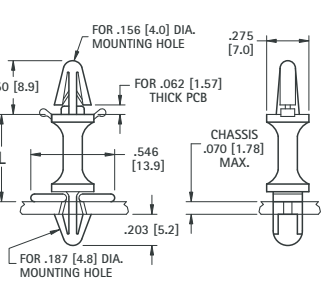
CAT. NO.	L LENGTH
1927A	.250 (6.4)
1928A	.375 (9.5)
1929A	.500 (12.7)
1930A	.625 (15.9)
1931A	.750 (19.1)
1932A	.875 (22.2)
1933A	1.000 (25.4)

**MATERIAL:** Nylon 6/6, UL Rated 94V-0

**SLIM-LINE LOCK-IN**




- One end permanently attaches to .070 (1.78) max. thick chassis
- Other end permanently attaches to .062 (1.57) max. thick PC board
- Low insertion force
- Small footprint frees up board space



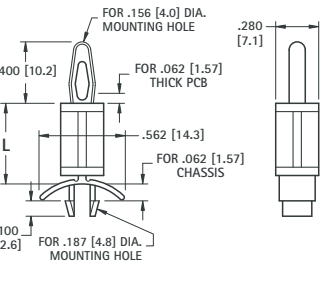
CAT. NO.	L LENGTH
1927B	.250 (6.4)
1928B	.375 (9.5)
1929B	.500 (12.7)
1930B	.625 (15.9)
1931B	.750 (19.1)
1932B	.875 (22.2)
1933B	1.000 (25.4)

**MATERIAL:** Nylon 6/6, UL Rated 94V-0

**STURDY TENSION-FIT**




- One end permanently attaches to .031(.79) - .078 (2.0) thick chassis
- Other end tension fits to .062 (1.57) max. thick PC board
- Board is easily releasable for repairs or upgrades
- Sturdy support due to high contact area



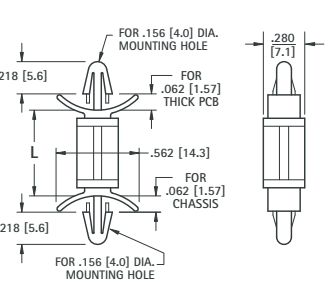
CAT. NO.	L LENGTH
8800	.187 (4.7)
8801	.250 (6.4)
8802	.375 (9.5)
8803	.500 (12.7)
8804	.625 (15.9)
8805	.750 (19.1)
8806	.875 (22.2)

**MATERIAL:** Nylon 6/6, UL Rated 94V-0

**STURDY LOCK-IN**




- Both ends permanently attaches to .031 (.79) - .078 (2.0) thick chassis or board
- Sturdy support due to high contact area



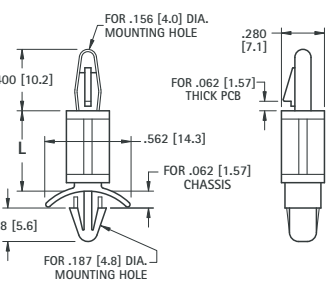
CAT. NO.	L LENGTH
8815	.187 (4.7)
8816	.250 (6.4)
8817	.375 (9.5)
8818	.500 (12.7)
8819	.625 (15.9)
8820	.750 (19.1)
8821	.875 (22.2)

**MATERIAL:** Nylon 6/6, UL Rated 94V-0

**STURDY LOCK-IN RELEASE**




- Locks onto .062 (1.57) thick PC board
- Board is positively locked until manually released
- Board is easily releasable for repairs or upgrades
- Sturdy support due to high contact area with chassis



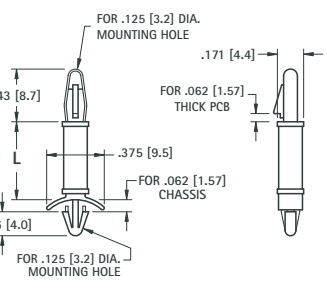
CAT. NO.	L LENGTH
8807	.187 (4.7)
8808	.250 (6.4)
8809	.375 (9.5)
8810	.500 (12.7)
8811	.625 (15.9)
8812	.750 (19.1)
8813	.875 (22.2)
8814	1.000 (25.4)

**MATERIAL:** Nylon 6/6, UL Rated 94V-0

**SLIM-LINE LOCK-IN RELEASE**



- Locks onto .062 (1.57) thick PC board
- Board is positively locked until manually unlocked
- Board is easily releasable for repairs or upgrades
- Compact design uses smaller mounting holes



CAT. NO.	L LENGTH
8871	.187 (4.7)
8872	.250 (6.4)
8873	.375 (9.5)
8874	.500 (12.7)
8875	.625 (15.9)

**MATERIAL:** Nylon 6/6, UL Rated 94V-0

# INSULATED PC SPACERS/SUPPORTS

- Board will be electrically insulated, eliminates need for insulating washers
- Easy snap-in assembly
- No tool required for installation
- Designed for .062 (1.57) thick boards

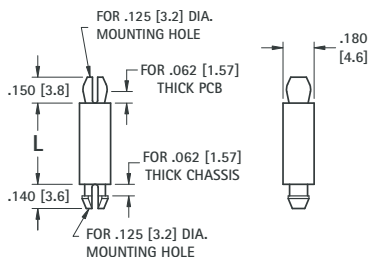
- One piece design eliminates the need for additional screws and nuts
- Slim design frees up board space

.125 (3.2)

## TENSION-FIT



- One end permanently attaches to chassis
- Other end secures board with tension fit
- Board easily releasable for repairs or upgrades



CAT. NO.	L LENGTH
8879	.125 (3.2)
8880	.187 (4.7)
8881	.250 (6.4)
8882	.375 (9.5)
8883	.500 (12.7)
8884	.625 (15.9)
8885	.750 (19.1)
8886	.875 (22.2)
8887	1.000 (25.4)

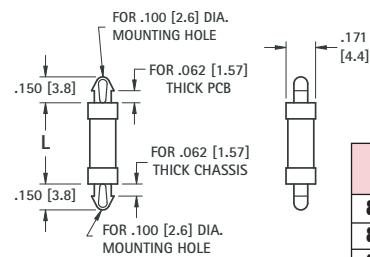
MATERIAL: Nylon 6/6, UL Rated 94V-0

.100 (2.6)

## EASY LOCK-IN



- Both ends permanently attach to chassis and board
- Teardrop style mounting end eases assembly
- Low protrusion above board and under chassis



CAT. NO.	L LENGTH
8888	.125 (3.2)
8889	.187 (4.7)
8890	.250 (6.4)
8891	.375 (9.5)
8892	.500 (12.7)
8893	.625 (15.9)

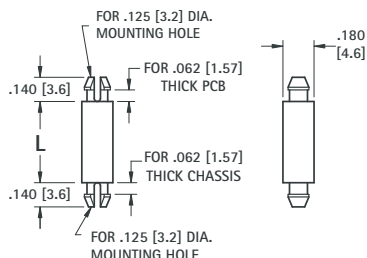
MATERIAL: Nylon 6/6, UL Rated 94V-0

.125 (3.2)

## LOCK-IN



- Both ends permanently attach to chassis and board
- Secure mounting end design allows for taller spacing

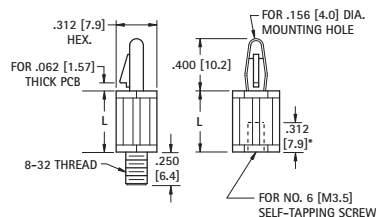


CAT. NO.	L LENGTH
9018	.125 (3.2)
9019	.187 (4.7)
9020	.250 (6.4)
9021	.375 (9.5)
9022	.500 (12.7)
9023	.625 (15.9)
9024	.750 (19.1)
9025	.875 (22.2)
9026	1.000 (25.4)

MATERIAL: Nylon 6/6, UL Rated 94V-0

.156 (4.0)

## THREADED



THREAD

- One end attaches to chassis with screw or tapped hole
- Other end snap locks onto .062 (1.6) board
- Board is releasable for easy repair or upgrades

MALE CAT. NO.	L LENGTH	FEMALE CAT. NO.
9048	.250 (6.4)	9041
9049	.375 (9.5)	9042
9050	.500 (12.7)	9043
9051	.625 (15.9)	9044
9052	.750 (19.1)	9045
9053	.875 (22.2)	9046
9054	1.000 (25.4)	9047

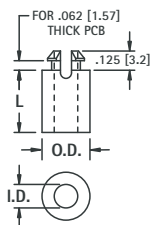
MATERIAL: Nylon 6/6, UL Rated 94V-0

## THRU HOLE SPACERS

One end locks into panel. Clear hole designs for #4, #6 or #8 screw.



- Base has larger surface area. Will not deform under heavy pre-load



CAT. NO.	L LENGTH	Outside Diameter	Inside Diameter	Mounting Hole	Screw Size
9027	.125 (3.2)				
9028	.187 (4.7)				
9029	.250 (6.4)	.260 (6.6)	.125 (3.2)	.187 (4.7)	#4
9030	.375 (9.5)				
9031	.500 (12.7)				
9032	.625 (15.9)				
9033	.250 (6.4)				
9034	.375 (9.5)	.281 (7.1)	.153 (3.9)	.234 (5.9)	#6
9035	.500 (12.7)				
9036	.625 (15.9)				
9037	.250 (6.4)				
9038	.375 (9.5)	.281 (7.1)	.169 (4.3)	.234 (5.9)	#8
9039	.500 (12.7)				
9040	.625 (15.9)				

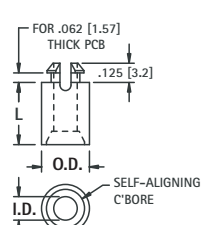
MATERIAL: Nylon 6/6, UL Rated 94V-0

## STACKING SPACERS

One end locks into panel. Clear hole designs for #4, #6 or #8 screw.



- Spacers can be stacked for multiple level PC board applications
- Self-aligning



CAT. NO.	L LENGTH	Outside Diameter	Inside Diameter	Mounting Hole	Screw Size
8829	.125 (3.2)				
8830	.187 (4.7)				
8831	.250 (6.4)	.260 (6.6)	.125 (3.2)	.187 (4.7)	#4
8832	.375 (9.5)				
8833	.500 (12.7)				
8834	.625 (15.9)				
8835	.250 (6.4)				
8836	.375 (9.5)	.312 (7.9)	.153 (3.9)	.234 (5.9)	#6
8837	.500 (12.7)				
8838	.625 (15.9)				
8839	.250 (6.4)				
8840	.375 (9.5)	.312 (7.9)	.169 (4.3)	.234 (5.9)	#8
8841	.500 (12.7)				
8842	.625 (15.9)				

MATERIAL: Nylon 6/6, UL Rated 94V-0

# INSULATED PC SPACERS/SUPPORTS

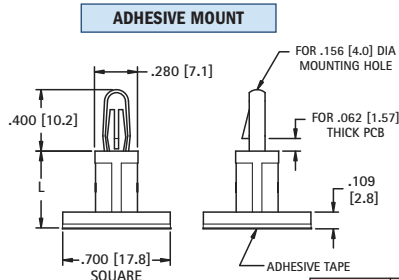
- Board will be electrically insulated, eliminates need for insulating washers
- No tool required for installation • Easy snap-in assembly

## ADHESIVE LOCK-IN RELEASE SUPPORTS

- One end attaches to chassis with self adhesive pads
- No drilling to chassis required leaving outside in perfect condition
- Other end snap into .062 (1.57) board
- Board is easily releasable for repair or upgrade



.156 (4.0)

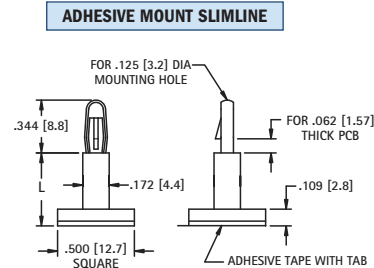


CAT. NO.	L LENGTH
9080	.187 (4.7)
9081	.250 (6.4)
9082	.375 (9.5)
9083	.500 (12.7)
9084	.625 (15.9)

Material: Nylon 6/6, UL Rated 94V-0



.125 (3.2)



CAT. NO.	L LENGTH
9070	.187 (4.7)
9071	.250 (6.4)
9072	.375 (9.5)
9073	.500 (12.7)
9074	.625 (15.9)

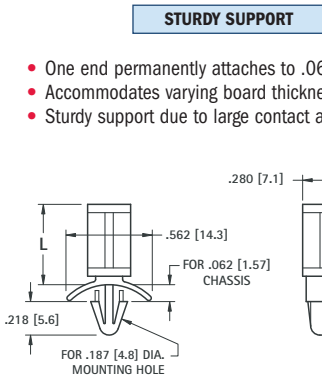
Material: Nylon 6/6, UL Rated 94V-0

## PC SPACER SUPPORTS

- One end locks into chassis • Other end supports the PC Board • Ideal for mid supports of large boards
- Simplifies assembly for multiple support applications • Reduces the amount of holes required in PC board



.187 (4.8)

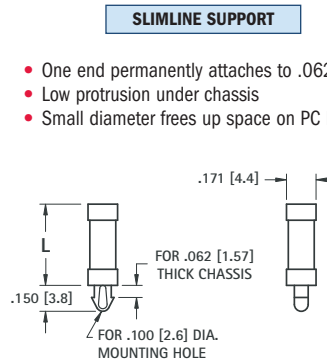


CAT. NO.	L LENGTH
8822	.187 (4.7)
8823	.250 (6.4)
8824	.375 (9.5)
8825	.500 (12.7)
8826	.625 (15.9)
8827	.750 (19.1)
8828	.875 (22.2)

Material: Nylon 6/6, UL Rated 94V-0



.100 (2.8)



CAT. NO.	L LENGTH
9055	.125 (3.2)
9056	.187 (4.7)
9057	.250 (6.4)
9058	.375 (9.5)
9059	.500 (12.7)
9060	.625 (15.9)

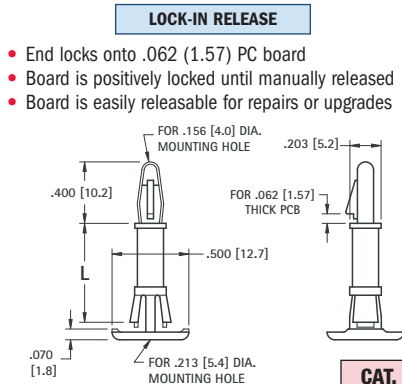
Material: Nylon 6/6, UL Rated 94V-0

## REVERSE CHASSIS MOUNT SUPPORTS

- Permanently attaches to .059 (1.51) - .065 (1.65) thick case from outside
- Provides flat clean cosmetic appearance • Ideal for low clearance applications or for mounting directly to case walls



.156 (4.0)

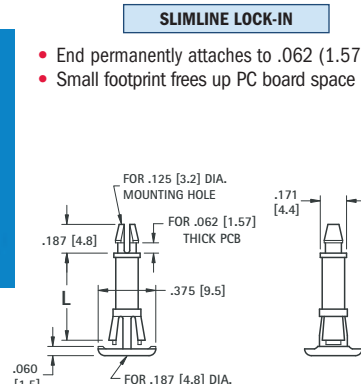


CAT. NO.	L LENGTH
9061	.250 (6.4)
9062	.375 (9.5)
9063	.500 (12.7)
9064	.625 (15.9)

Material: Nylon 6/6, UL Rated 94V-0



.125 (3.2)



CAT. NO.	L LENGTH
9065	.250 (6.4)
9066	.375 (9.5)
9067	.500 (12.7)
9068	.625 (15.9)

Material: Nylon 6/6, UL Rated 94V-0