

**PLEASE CHECK WWW.MOLEX.COM FOR LATEST PART INFORMATION**

**Part Number:** [0901700040](#)  
**Status:** **Active**  
**Overview:** [QF-50™](#)  
**Description:** 2.54mm Pitch QF-50™, Strain Relief, DIN 41651, Standard Low Profile, 40 Circuits

**Documents:**

[3D Model](#) [Packaging Specification PK-90170-001-001 \(PDF\)](#)  
[Drawing \(PDF\)](#) [RoHS Certificate of Compliance \(PDF\)](#)  
[Product Specification PS-99020-0015-001 \(PDF\)](#)

**General**

Product Family	Ribbon Cable / Wire Trap Connectors
Series	<a href="#">90170</a>
Component Type	Strain Relief
Glow-Wire Compliant	No
Overview	<a href="#">QF-50™</a>
Product Name	QF-50™
UPC	800753533288

**Physical**

Circuits (Loaded)	N/A
Circuits (maximum)	40
Color - Resin	Black
Entry Angle	N/A
Lock to Mating Part	Yes
Material - Plating Mating	N/A
Material - Resin	Polyester
Net Weight	1.052/g
Number of Rows	2
PCB Locator	No
PCB Retention	None
Packaging Type	Bag
Pitch - Mating Interface	1.27mm
Polarized to Mating Part	No
Stackable	No
Temperature Range - Operating	-25°C to +85°C
Wire Insulation Diameter	N/A
Wire Size AWG	N/A
Wire/Cable Type	Ribbon Cable

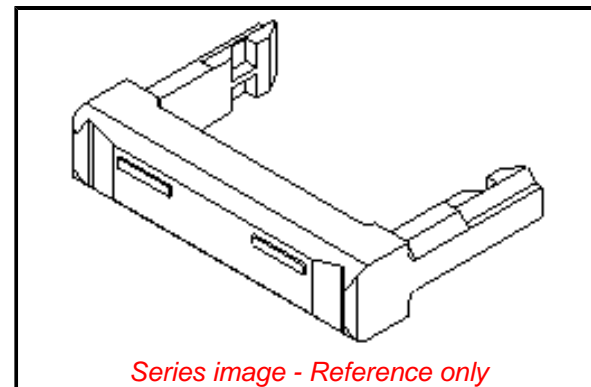
**Electrical**

Current - Maximum per Contact	1.0A
Voltage - Maximum	250V AC/DC

**Material Info**

**Reference - Drawing Numbers**

Packaging Specification	PK-90170-001-001
Product Specification	PS-99020-0015-001
Sales Drawing	SD-90170



**EU ELV**

**Not Relevant**

**EU RoHS**

**Compliant**

**REACH SVHC**

Not Contained Per -  
ED/30/2017 (7 July  
2017)

**Halogen-Free**

**Status**

**Not Low-Halogen**

**Need more information on product  
environmental compliance?**

Email [productcompliance@molex.com](mailto:productcompliance@molex.com)  
Please visit the [Contact Us](#) section for any  
non-product compliance questions.

China ROHS

ELV

RoHS Phthalates

Green Image

Not Relevant

Not Contained

**Search Parts in this Series**

[90170 Series](#)

**Use With**

[5320](#) , [90635](#)