



## Main

Range of product	Square D Pumptrol
Pressure sensor name	9013FH
Pressure sensor size	100 psi (689.48 kPa)
Value of setting	Off at 100 psi
Electrical circuit type	Power circuit
Product specific application	Control small electrically driven air compressors
Quantity per set	1
Type of packing	Individual

## Complementary

Pressure sensor type	Electromechanical pressure switch
Controlled fluid	Air -22...257 °F (-30...125 °C))
Adjustable range on rising pressure	40...100 psi (275.79...689.48 kPa)
Approximate fixed differential	20 psi (137.90 kPa)
Destruction pressure	220 psi (1516.85 kPa)
Pressure actuator	Diaphragm
Pressure switch type of operation	Regulation between 2 thresholds
Scale type	Fixed differential
Setting	Internal
Local display	Without
Contacts type and composition	2 NC, snap action, DPST-DB, Form YY
Cable entry number	2 0.88 in (22.35 mm) cable entries with 0.84 in across flats UL 508
Electrical connection	Screw-clamp terminals 10 AWG Screw-clamp terminals 5.261 mm <sup>2</sup>
Fluid connection type	0.25 inch NPSF internal UL 508
Short-circuit protection	20 A cartridge fuse gG
Materials in contact with fluid	Zinc plated steel or equivalent flange Nitrile (Buna-N) or equivalent rubber diaphragm
Material	Polypropylene Cover Noryl thermoplastic resin or equivalent Cover
Operating position	Any position
Motor power kW	1.5 KW 2 hp)230 V AC, 1 phase 1.1 KW 1.5 hp)115 V AC, 1 phase 1.5 KW 2 hp)115 V AC, 3 phase 2.2 KW 3 hp)230 V AC, 3 phase 0.75 KW 1 hp)460 V AC, 3 phase 0.75 kW 1 hp)575 V AC, 3 phase
Electrical durability	100000 cycles 10 cyc/mn
Mechanical durability	300000 cycles
Terminal block type	4 terminals
Maximum operating rate	10 cyc/mn
[Ui] rated insulation voltage	575 V UL 508
Net Weight	1 lb(US) (0.45 kg)
Repeat accuracy	+/- 3 %
Terminals description ISO n°1	L2-T2 L1-T1
Maximum Width	2.78 in (70.61 mm)

Height	2.8 in (71.12 mm)
Depth	3.76 in (95.50 mm)
Factory modification	-

## Environment

Standards	UL 508 CE
Ambient air temperature for operation	-33...257 °F (-36...125 °C)
Ambient air temperature for storage	-33...257 °F (-36...125 °C)
Protective treatment	None
NEMA degree of protection	NEMA 1 UL 50
IP degree of protection	IP20 IEC 60529
Product certifications	UL listed file E12158 CSA file LR25490

## Ordering and shipping details

Category	21533 - 9013 FHG (INDIVIDUAL-DISCOUNT CP7I)
Discount Schedule	CP7I
GTIN	00785901522928
Nbr. of units in pkg.	1
Package weight(Lbs)	0.8 lb(US) (0.36 kg)
Returnability	Yes
Country of origin	MX

## Packing Units

Unit Type of Package 1	PCE
Package 1 Height	2.80 in (7.112 cm)
Package 1 width	3.80 in (9.652 cm)
Package 1 Length	4.00 in (10.16 cm)

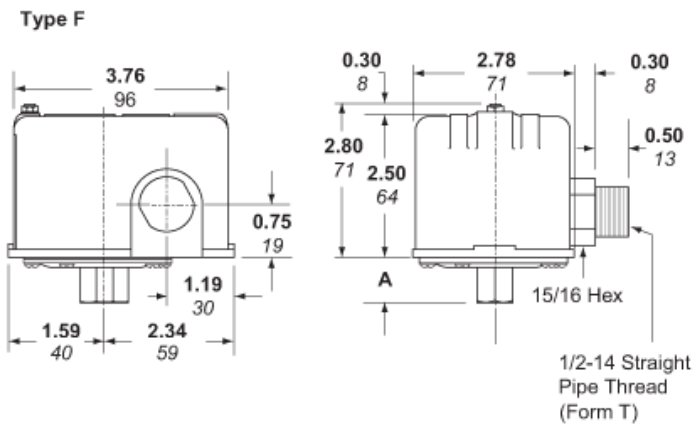
## Offer Sustainability

California proposition 65	WARNING: This product can expose you to chemicals including: Diisononyl phthalate (DINP), which is known to the State of California to cause cancer, and Di-isodecyl phthalate (DIDP), which is known to the State of California to cause birth defects or other reproductive harm. For more information go to <a href="http://www.P65Warnings.ca.gov">www.P65Warnings.ca.gov</a>
EU RoHS Directive	Compliant <a href="#">EU RoHS Declaration</a>
Mercury free	Yes
RoHS exemption information	<a href="#">Yes</a>
Environmental Disclosure	<a href="#">Product Environmental Profile</a>
Circularity Profile	<a href="#">End Of Life Information</a>

## Contractual warranty

Warranty	18 months
----------	-----------

Approximate Dimensions



Switch Type	A Dimension		in. mm
	in.	mm	
FSG1, FYG1	1-1/32	26	
FHG2, 12, 22, 32, 42, 52, FRG2, FSG2, FYG2	29/32	23	
FHG3, 13, 33, FRG3, FSG3, FYG3	1-9/32	33	
FHG9, 19, 29, 39, 49, 59, FSG9, FYG9	1-3/32	28	