

**PLEASE CHECK WWW.MOLEX.COM FOR LATEST PART INFORMATION**

**Part Number:** **0901301124**  
**Status:** **Active**  
**Overview:** C-Grid III™  
**Description:** C-Grid III™ Header, Dual Row, Vertical, Shrouded, Fully Loaded, 24 Circuits, Black, 3µm Tin (Sn) over Nickel (Ni)

**Documents:**

[3D Model](#) [Packaging Specification PK-91814-005 \(PDF\)](#)  
[Drawing \(PDF\)](#) [RoHS Certificate of Compliance \(PDF\)](#)  
[Product Specification PS-99020-0001-001 \(PDF\)](#)

**Agency Certification**

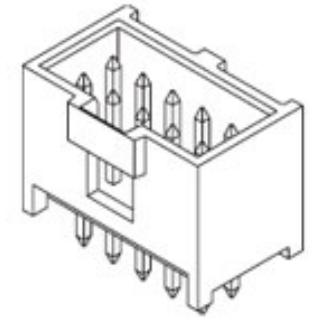
CSA LR19980  
 UL E29179

**General**

Product Family PCB Headers  
 Series 90130  
 Application Signal, Wire-to-Board  
 Overview C-Grid III™  
 Product Name C-Grid III™  
 UPC 800753699847

**Physical**

Breakaway No  
 Circuits (Loaded) 24  
 Circuits (maximum) 24  
 Color - Resin Black  
 Durability (mating cycles max) 30  
 First Mate / Last Break No  
 Flammability 94V-0  
 Glow-Wire Compliant No  
 Guide to Mating Part No  
 Keying to Mating Part None  
 Lock to Mating Part Yes  
 Material - Metal Brass  
 Material - Plating Mating Tin  
 Material - Plating Termination Tin  
 Material - Resin Polyester  
 Net Weight 2.694/g  
 Number of Rows 2  
 Orientation Vertical  
 PC Tail Length 2.90mm  
 PCB Locator No  
 PCB Retention None  
 PCB Thickness - Recommended 1.60mm  
 Packaging Type Tray  
 Pitch - Mating Interface 2.54mm  
 Pitch - Termination Interface 2.54mm  
 Plating min - Mating 3.048µm  
 Plating min - Termination 3.048µm  
 Polarized to Mating Part Yes  
 Polarized to PCB No  
 Shrouded Closed Ends  
 Stackable No  
 Temperature Range - Operating -55°C to +125°C  
 Termination Interface: Style Through Hole



Series image - Reference only

**EU ELV**

**Not Relevant**

**EU RoHS**

**Compliant**

**REACH SVHC**

Not Contained Per  
 -ED/01/2017 (12  
 January 2017)

**Halogen-Free**

**Status**

**Not Low-Halogen**

**Need more information on product environmental compliance?**

Email [productcompliance@molex.com](mailto:productcompliance@molex.com)  
 Please visit the [Contact Us](#) section for any non-product compliance questions.

China ROHS Green Image  
 ELV Not Relevant  
 RoHS Phthalates Not Contained

**Search Parts in this Series**

[90130](#) Series

**Mates With**

[90142](#) C-Grid III™ Crimp Housing

**Electrical**

Current - Maximum per Contact	3.0A
Voltage - Maximum	350V AC/DC

**Solder Process Data**

Duration at Max. Process Temperature (seconds)	003
Lead-free Process Capability	WAVE
Max. Cycles at Max. Process Temperature	001
Process Temperature max. C	235

**Material Info****Reference - Drawing Numbers**

Packaging Specification	PK-91814-005
Product Specification	PS-99020-0001-001
Sales Drawing	SDA-90130

This document was generated on 08/01/2017

**PLEASE CHECK [WWW.MOLEX.COM](http://WWW.MOLEX.COM) FOR LATEST PART INFORMATION**