

NOTES:

1. MATERIALS AND FINISHES:

- BODY - STAINLESS STEEL, GOLD PLATING (.000020 THICK MIN.)
- CONTACT - BeCu, GOLD PLATING (.000050 THICK MIN.)
- LOCKWASHER AND NUT - BRASS, GOLD PLATING (.000010 THICK MIN.)
- O-RING - SILICONE
- INSULATOR - PTFE

2. ELECTRICAL:

- A. IMPEDANCE: 50 OHM
- B. FREQUENCY RANGE: DC - 18 GHz
- C. VSWR(RETURN LOSS): 1.10 (26.5 dB), MAX.
- D. DIELECTRIC WITHSTANDING VOLTAGE: 1000 VRMS, MIN.

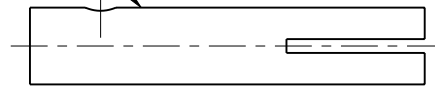
3. MECHANICAL:

- A. DURABILITY: 500 CYCLES MIN.
- B. TEMPERATURE RANGE: -65° C TO +165° C

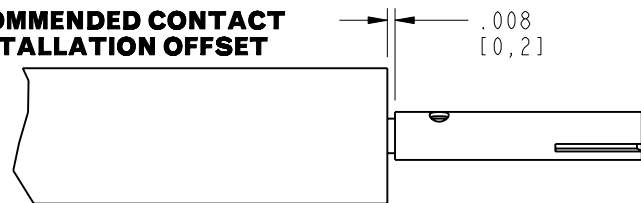
4. PACKAGING:

- A. QUANTITY: BULK PACK (50 PER)
- B. CONTACT, O-RING, LOCKWASHER, AND LOCKNUT ARE SUPPLIED IN THEIR OWN BULK (50 PER) PACKS
- C. MARKING: BULK PACK TO BE MARKED: AMPHENOL 901-10127 DATE CODE (YYWW)

FEMALE CONTACT



**RECOMMENDED CONTACT INSTALLATION OFFSET**

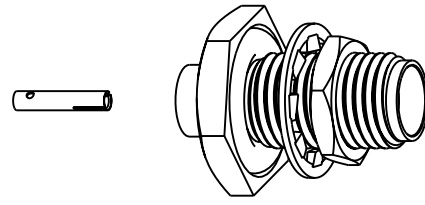


SCALE 5.000

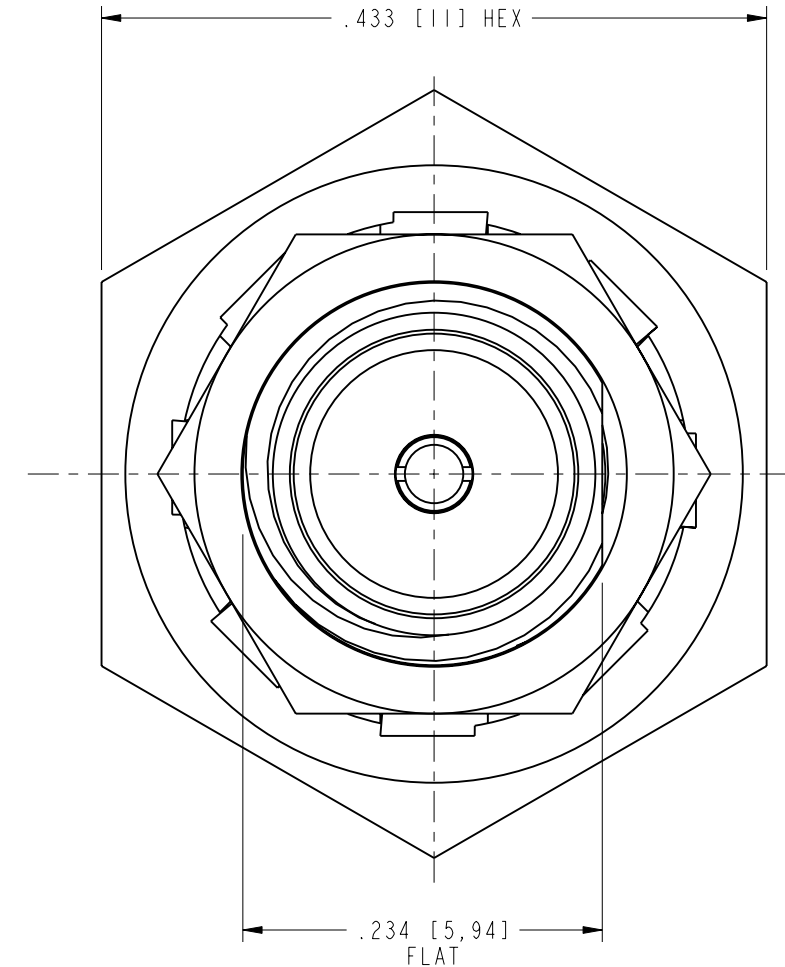
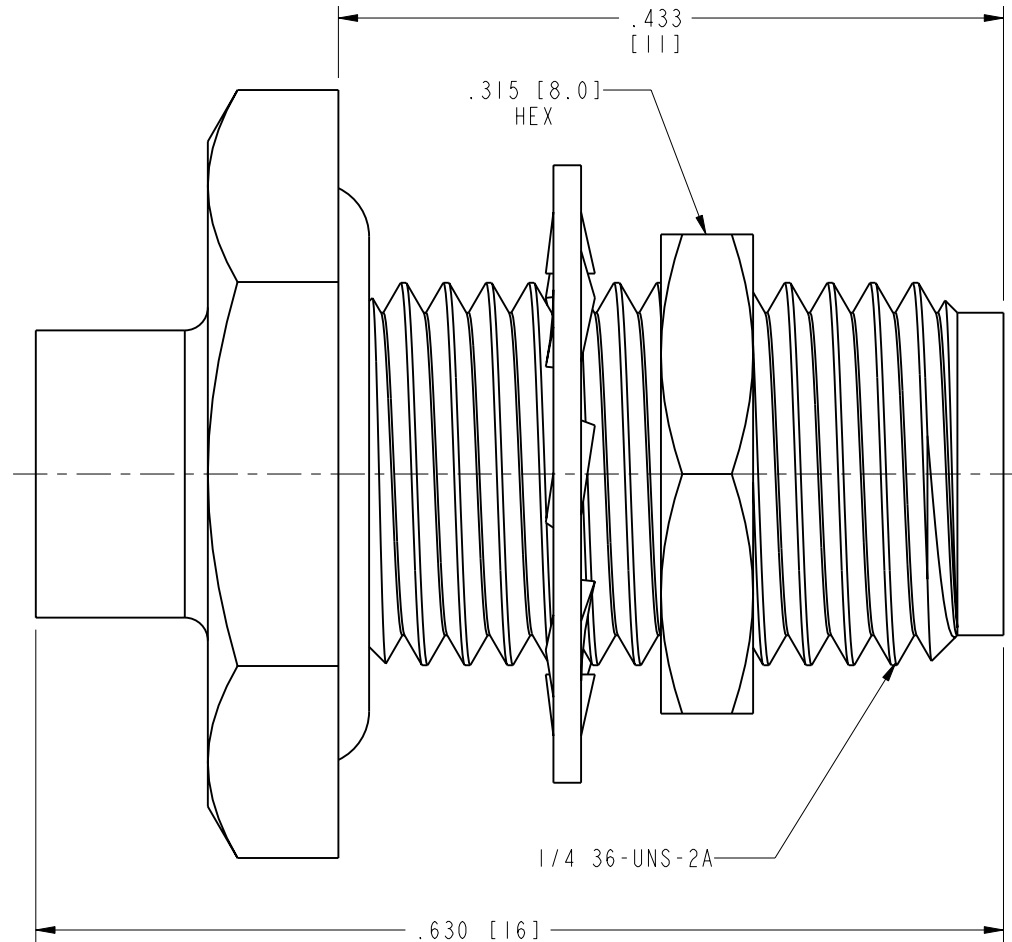
901-10127

DRAWING NO. THIRD ANGLE PROJ.

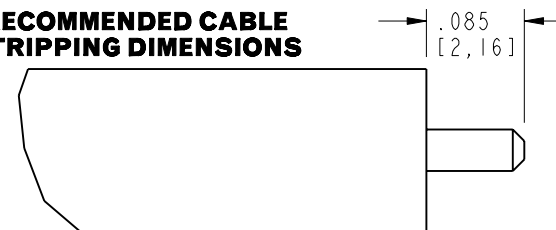
		REVISIONS			
REV	DESCRIPTION	DATE	ECO	APPR	
A	RELEASE TO MFG.	10/23/03	44679	KJC	
B	A) INSULATOR WAS SUPPLIED LOOSE		44742	BCG	
C	SEE ECO.	3/1/04	44833	KJC	
D	CHANGED FROM SINGLE PACK TO BULK PACK	4/29/04	44943		



SCALE 2.000



**RECOMMENDED CABLE STRIPPING DIMENSIONS**



SCALE 6.000

**CUSTOMER OUTLINE DRAWING**

ALL OTHER SHEETS ARE FOR INTERNAL USE ONLY

UNLESS OTHERWISE SPECIFIED, DIMENSIONS ARE IN INCHES AND TOLERANCES ARE:  
 2 PLACE DECIMAL ±.015 (0,381 mm)  
 3 PLACE DECIMAL ±.005 (0,127 mm)  
 ANGLES ± 1°

NOTICE - These drawings, specifications, or other data (1) are, and remain the property of Amphenol Corp. (2) must be returned upon request; and (3) are confidential and not to be disclosed to any person other than those to whom they are given by Amphenol Corp. The furnishing of these drawings, specifications, or other data by Amphenol Corp., or to any other person to anyone for any purpose is not to be regarded by implication or otherwise in any manner licensing, granting rights or permitting such holder or any other person to manufacture, use or sell any product, process or design, patented or otherwise, that may in any way be related to or disclosed by said drawings, specifications, or other data.

MATERIAL	DRAWN	DATE	TITLE
	K. CAPOZZI	18-Sep-02	SMA SOLDER TYPE JACK, BULKHEAD FOR SR 141 CABLE
	ENGINEER	DATE	
	K. CAPOZZI	18-Sep-02	
REFERENCE	APPROVED	DATE	
EAR #730 615X-1842-100 ASSYF61_SMA	K. CAPOZZI	10/23/03	
	CAD FILE		
	I:\SMA\901-10127		

CODE ID	DWG SIZE	DRAWING NO.	REV
74868	B	901-10127	D

SCALE: 8.0:1	SHEET 2 OF 2
--------------	--------------

**Amphenol RF**  
 Danbury, CT, USA  
 Tainan, Taiwan  
 Shenzhen, China  
[www.amphenolrf.com](http://www.amphenolrf.com)