

# ELECTRICAL

TEST PARAMETERS		TEST CONDITIONS (note 1)	MIN.	TYP.	MAX.	UNITS
COIL RESISTANCE			315	350	365	OHMS
NOMINAL COIL VOLTAGE				5.0		VDC
COIL OPERATE VOLTAGE					3.75	VDC
COIL RELEASE VOLTAGE			0.4			VDC
SWITCHING VOLTAGE		DC/PEAK AC, RESIS			100	VOLTS
SWITCHING CURRENT		DC/PEAK AC RESISTIVE			.400	AMPS
CARRY CURRENT		DC PEAK AC			1.0	AMPS
CONTACT POWER RATING		DC PEAK, AC			10.0	WATTS
LIFE EXPECTANCY	SIGNAL LEVEL	@ SIGNAL LEVEL < 1V, 10mA LOAD & 1 OHMS MAX LIMIT		100		X10E6 OPS
STATIC CONTACT RESISTANCE (INITIAL)		0.050 VOLTS , 10 Ma Contact Load			.100	OHMS
DYNAMIC CONTACT RESISTANCE (INITIAL)		0.50 VOLTS , 50 Ma 100 Hz 1.5 mSec after contact closure			.200	OHMS
INSULATION RESISTANCE		Between all isolated pins @ 100V: <u>25 deg. C. 40% relative humidity/40 deg. C. 90% relative humidity</u>	10E10			OHMS
CAPACITANCE	OPEN CONTACTS			0.8	1.5	$\rho$ F
CAPACITANCE	CONTACT TO COIL			1.6	2.5	$\rho$ F
DIELECTRIC STRENGTH	BETWEEN SWITCH CONTACTS	DC/ PEAK AC	250			VOLTS
	SWITCH TO COIL	AC VRMS	1,000			VRMS
OPERATE TIME (INCLUDING BOUNCE)		AT NOMINAL VOLTAGE		.25	1.0	mSEC
RELEASE TIME (DIODE SUPPRESION)				.30	.50	mSEC
ENVIRONMENTAL						
STORAGE TEMPERATURE			-30		+100	° C
OPERATING TEMPERATURE			-20		+85	° C
MATERIAL: MOLDED THERMOSET EPOXY						

PART NUMBER			
9000-0021			
REV.	ECN #	DATE	APPROVAL
A		3/15/85	P.R

NOTES:  
1. All parameters specified per EIA/NARM standards for dry reed relays NO RS-421 & RS-436 unless otherwise noted, all parameters specified @ 25 deg. C & 40% R.H.

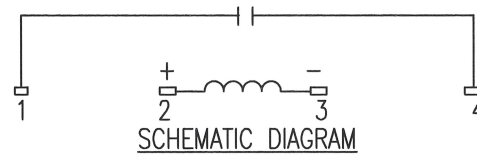
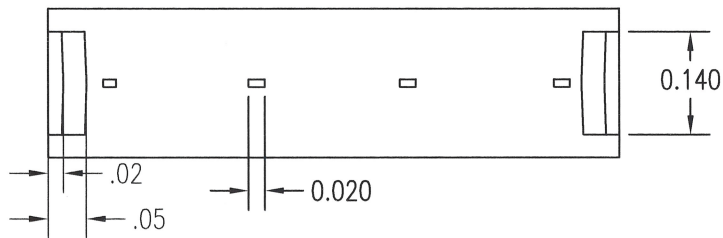
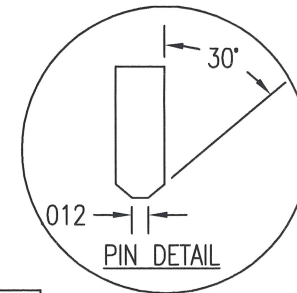
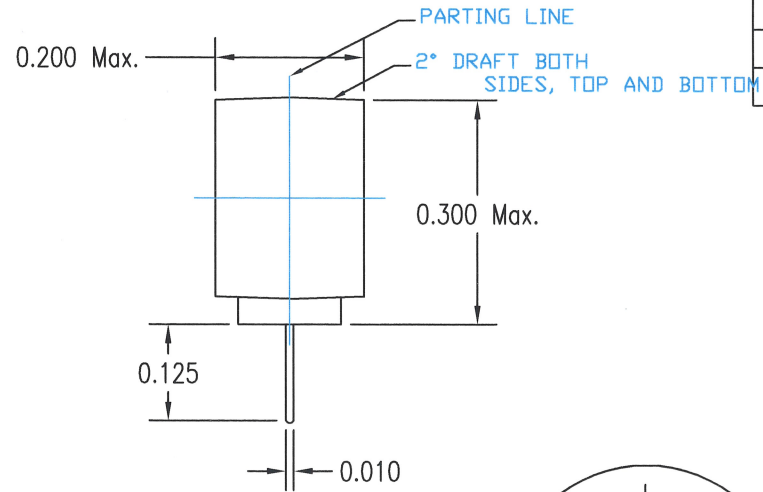
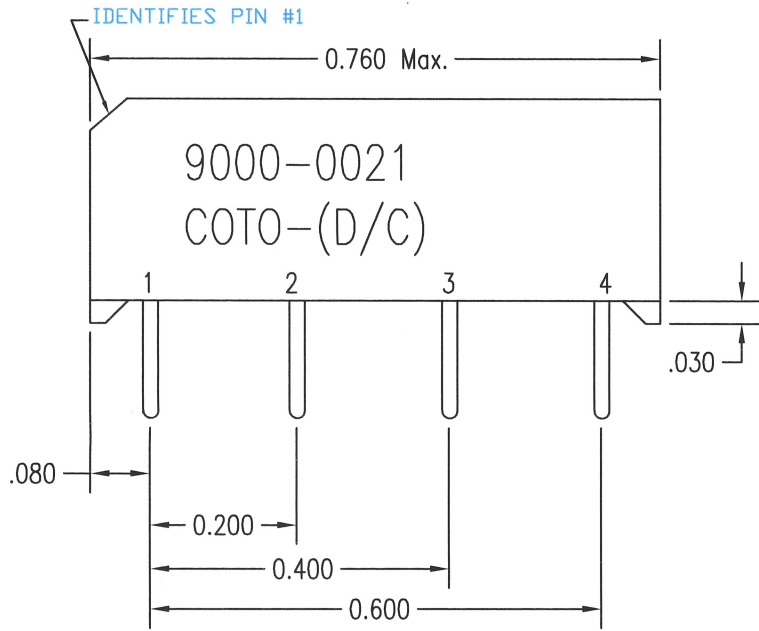
SHEET: 1 OF 2	CUST: MOTOROLA
APPROVAL:	CUST P/N:
ENG: P.R	TYPE: REED RELAY,1 FORM A
DATE: 2/21/85	COTO P/N: 9000-0021




PART NUMBER

9000-0021

REV.	ECN #	DATE	APPROVAL
A		3/15/85	P.R



NOTES:  
 1. DIMENSIONS TOLERANCES  
 X.XX - 0.010"  
 X.XXX - 0.005"  
 UNLESS OTHERWISE NOTED.  
 2. ALL DIMENSIONS ARE IN INCHES.

APPROVAL:	CUSTOMER: MOTOROLA	TYPE: REED RELAY, 1 FORM A
ENG.: P.R	CUSTOMER P/N:	P/N: 9000-0021
SCALE:	SHEET: 2 OF 2	 66 WHITECAP DR, NORTH KINGSTOWN, RI
DATE: 2/21/85		