

MICRO SWITCH

FREERPORT ILLINOIS, U.S.A
A DIVISION OF HONEYWELL
FED. MFG. CODE 91929

ASSEMBLY - SWITCH

CATALOG LISTING

8AS244-MT

8AS244-MT

M

DRAWING NUMBER

ISSUE

4

REPLACES

RELEASE NO. PR-15889

CHECK

REVISIONS

A	C062604	TSK	NOV 87
B	C079303	SAD	MAR 95
C	0062196	LK	MAR 10

CHECK CMH 10MAR10

CHECK

15 SEP 87

CHECK MAM

T R F 12 SEPT 87

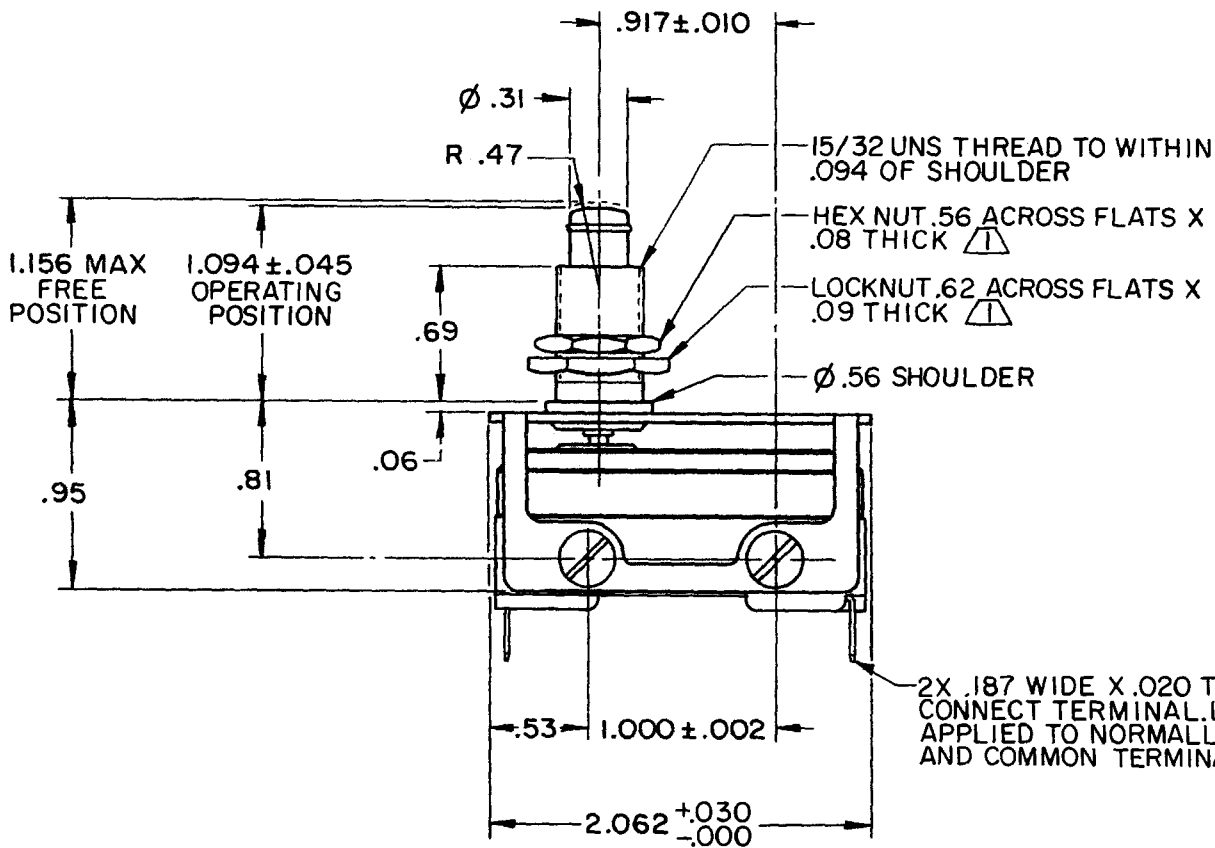
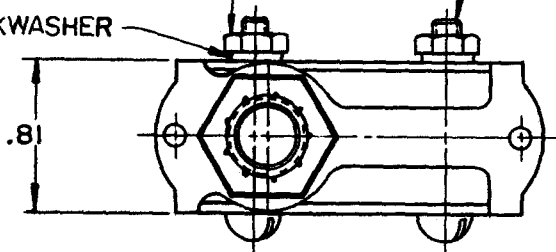
RASTER
FO-52848-A

DRAWN

③ 2X 6-32UNC HEX NUT

2X (6-32UNC X 1.000) ROUND HEAD MACHINE SCREW

2X LOCKWASHER



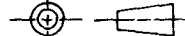
2X .187 WIDE X .020 THICK QUICK CONNECT TERMINAL. LOCTITE APPLIED TO NORMALLY OPEN AND COMMON TERMINAL SCREWS

NOTES:

- ① - FURNISHED UNASSEMBLED
- 2 - UNIT INCLUDES CATALOG LISTING MT-4R-D581 BASIC SWITCH
- ③ - 2X 6-32 UNC HEX NUTS ASSEMBLED WITH 6±0.5 IN/LBS TORQUE.

THIS DRAWING COVERS A PROPRIETARY ITEM AND IS THE PROPERTY OF MICRO SWITCH, A DIVISION OF HONEYWELL. THIS DRAWING IS NOT TO BE COPIED OR USED WITHOUT THE APPROVAL OF MICRO SWITCH.

THIRD ANGLE PROJECTION



CHARACTERISTICS

ELECTRICAL DATA

SCALE FULL

CONTACT ARRANGEMENT
S P D T

DO NOT SCALE PRINT

TOLERANCES
APPLY TO DESIGN UNITS. CONVERSIONS ARE ONLY FOR REFERENCE. UNLESS NOTED, TOLERANCES ARE ±

DIM.	TOL.	DIM.	TOL.
mm	mm/in	in	mm/in
NO PLACES	X	1/.04	
ONE PLACE	X,X	0.4/.018	X,X 0.8/.03
TWO PLACES	X,XX	0.15/.008	X,XX 0.38/.015
THREE PLACES	X,XXX		X,XXX 0.13/.005
ANGLES			

DESIGN UNITS SI METRIC

US CUSTOMARY

WEIGHT