

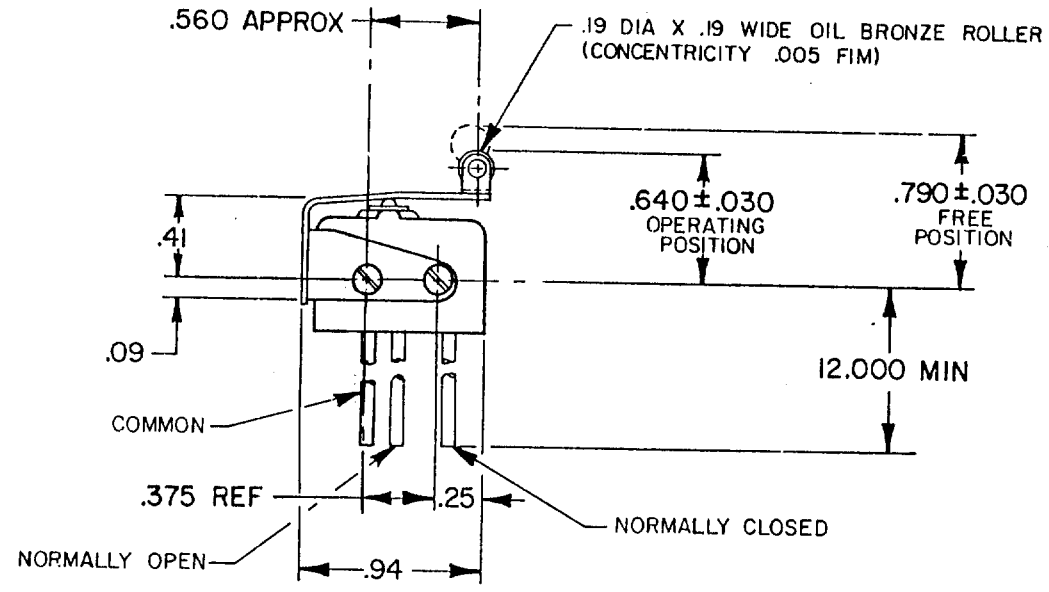
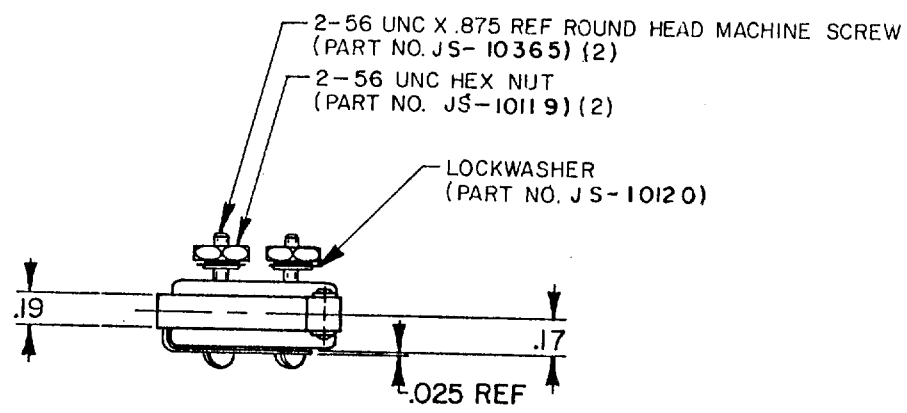
MICRO SWITCH

FREEPORT ILLINOIS, U.S.A.
A DIVISION OF HONEYWELL
FED. MFG. CODE 91029

ACTUATOR - SWITCH

CATALOG LISTING
8AS220
5

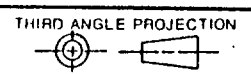
M 8AS220
 DRAWING NUMBER
 ISSUE 3
 REVISIONS
 A PRI4713 TAD 18 APR 86
 B C074852 J.D.B. 24 MAY 93
 CHECK KAG 18 APR 86
 DRAWN TAD 18 APR 86
 FO-52848-A



NOTES

- 1 - UNIT INCLUDES CATALOG LISTING 5SE1 BASIC SWITCH AND JE-5 TYPE ACTUATOR
- 2 - FURNISHED UNASSEMBLED

THIS DRAWING COVERS A PROPRIETARY ITEM AND IS THE PROPERTY OF MICRO SWITCH. A DIVISION OF HONEYWELL. THIS DRAWING IS NOT TO BE COPIED OR USED WITHOUT THE APPROVAL OF MICRO SWITCH.



CHARACTERISTICS	
OPERATING FORCE	12 OZ MAX
RELEASE FORCE	2 OZ MIN
DIFFERENTIAL TRAVEL	.025 MAX
OVERTRAVEL	.015 MIN

ELECTRICAL DATA	
CONTACT ARRANGEMENT S P D T	
250 VAC	5 AMP
30 VOLTS DC RATING	
INDUCTIVE -- SEA LEVEL	3 AMP
50,000 FT	2.5 AMP
RESISTIVE -- SEA LEVEL	5 AMP
50,000 FT	5 AMP
MAXIMUM INRUSH	24 AMP

SCALE FULL			
DO NOT SCALE PRINT			
TOLERANCES			
APPLY TO DESIGN UNITS. CONVERSIONS ARE ONLY FOR REFERENCE. UNLESS NOTED, TOLERANCES ARE ±			
DIM.	TOL.	DIM.	TOL.
mm	mm/in	in	mm/in
NO PLACES	X	1/64	
ONE PLACE	X,X	0.01/0.16	X,X
TWO PLACES	X,XX	0.15/0.06	X,XX
THREE PLACES	X,XXX		X,XXX
ANGLES			
DESIGN UNITS	<input type="checkbox"/> METRIC	<input checked="" type="checkbox"/> US CUSTOMARY	
WEIGHT			