
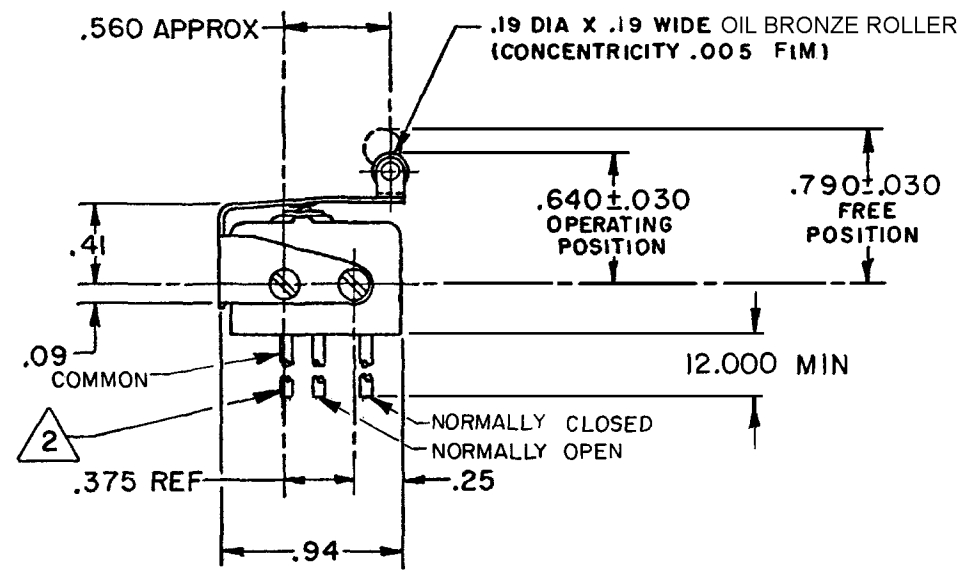
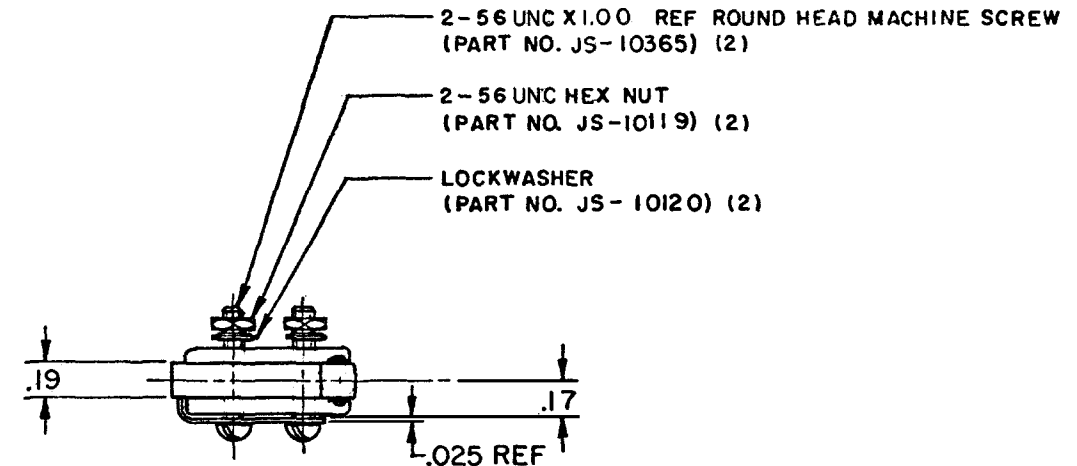




HONEYWELL
PART NUMBER
8AS193
FAA-PMA 

REV	DOCUMENT	CHANGED BY	CHECK
12	0054409	SJK 10JUL09	CMH

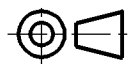


- NOTES
1 - UNIT INCLUDES CATALOG LISTING 1SE201 BASIC SWITCH AND JE-13 TYPE ACTUATOR
 (3) NO. 20 WIRE LEAD PER MIL-W-22759/7
 FOR MANUFACTURING DETAIL SEE ASSEMBLY DRAWING 8AS193 FOR FAA-PMA

REPLACES : X71296-8AS

CHARACTERISTICS	
OPERATING FORCE	12 OZ MAX
RELEASE FORCE	2 OZ MIN
DIFFERENTIAL TRAVEL	.025 MAX
OVERTRAVEL	.015 MIN

ELECTRICAL DATA	
CONTACT ARRANGEMENT S P D T	
250VAC	5 AMP
30 VOLTS DC RATING	
INDUCTIVE	SEA LEVEL ----- 3 AMP 50,000 FT ----- 2.5 AMP
RESISTIVE	SEA LEVEL ----- 5 AMP 50,000 FT ----- 5 AMP
MAXIMUM INRUSH	24 AMP

DESIGN UNITS: INCH	
TOLERANCES UNLESS NOTED:	
NO PLACE	X ± 0.040
ONE PLACE	.X ± 0.030
TWO PLACE	.XX ± 0.015
THREE PLACE	.XXX ± 0.005
FOUR PLACE	.XXXX ± 0.0005
ANGLES	± 2°
THIRD ANGLE PROJECTION	
	

DRAWN	TSM	25AUG80
CHECK	DJW	28AUG80
THIS DRAWING COVERS A PROPRIETARY ITEM AND IS THE PROPERTY OF HONEYWELL. THIS DRAWING IS NOT TO BE COPIED OR USED WITHOUT THE PERMISSION OF HONEYWELL.		
INTERPRET PER ASME Y14.5M-1994 OTHER HONEYWELL ENGINEERING STANDARDS MAY APPLY		
RASTER		

Honeywell			
TITLE ACTUATOR-SWITCH			
SIZE	TYPE	DRAWING NAME	REV
B	I	8AS193	12
SCALE	FULL	SHEET 1 OF 1	