

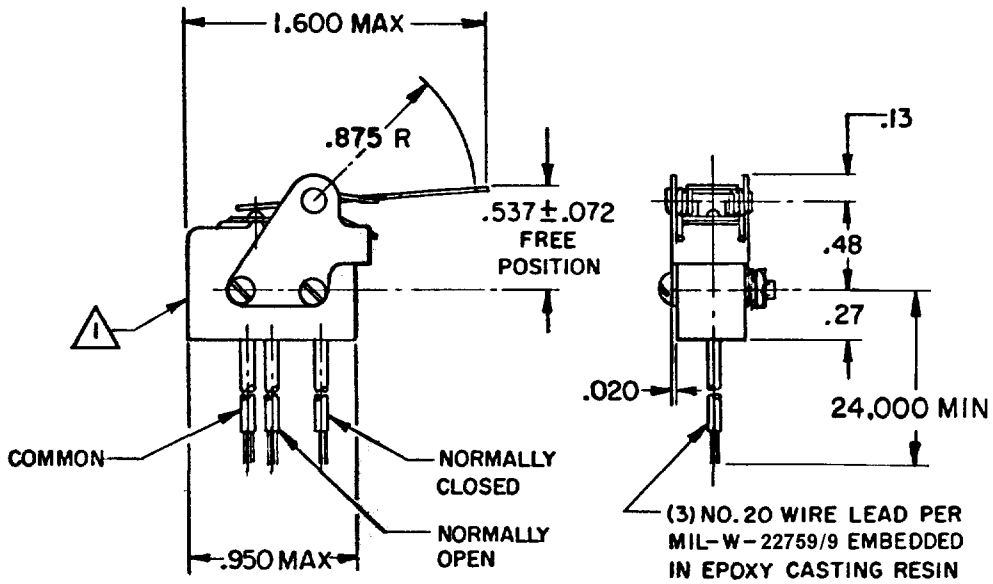
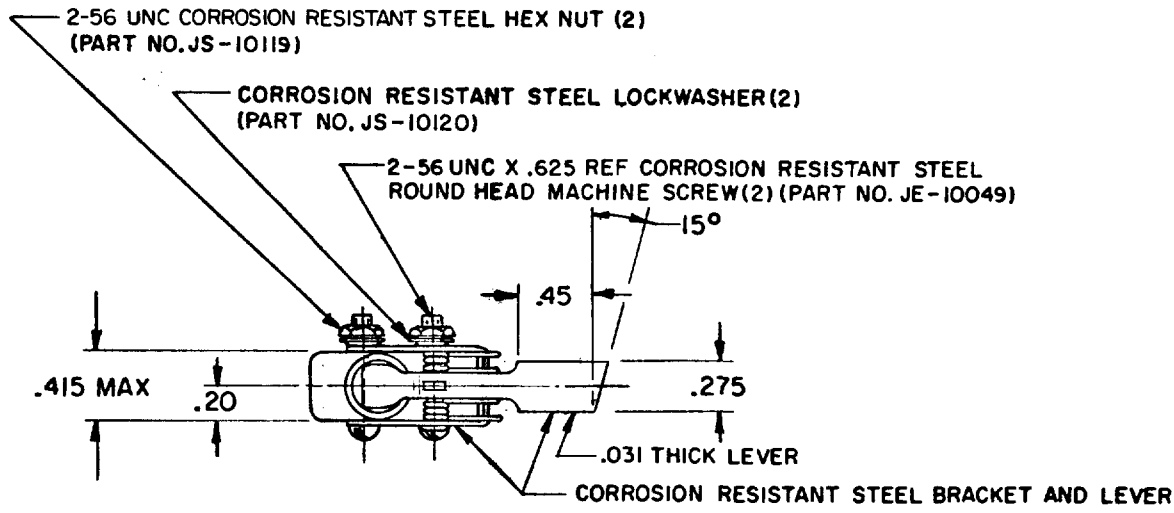
MICRO SWITCH

FREEPORT ILLINOIS, U.S.A
A DIVISION OF HONEYWELL
FED. MFG. CODE 91929

ACTUATOR-SWITCH

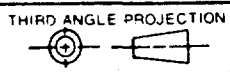
CATALOG LISTING
8ASI50

8ASI50
 PAGE 1 OF 1
 M
 DRAWING NUMBER
6
 ISSUE
 REVISIONS
 A NEW DWG PR-101153
 T M M
 12 MAY 81
 B 202196
 DLT
 7 FEB 01
 R S
 CHECK
 13 MAY 81
 R S
 CHECK
 16 MAY 81
 C E B
 CHECK
 12 MAY 81
 RASTER
 FO-52948-A
 DRAWN



- NOTES**
- 1 UNIT INCLUDES CAT. LIST. 12SE4-2 TYPE BASIC SWITCH
 - 2- BASIC SWITCH HELD ACTUATED WHEN LEVER IS IN FREE POSITION

THIS DRAWING COVERS A PROPRIETARY ITEM AND IS THE PROPERTY OF MICRO SWITCH, A DIVISION OF HONEYWELL. THIS DRAWING IS NOT TO BE COPIED OR USED WITHOUT THE APPROVAL OF MICRO SWITCH.



CHARACTERISTICS	ELECTRICAL DATA	SCALE FULL																														
OPERATING FORCE — — — 7 OZ MAX	CONTACT ARRANGEMENT S P D T	DO NOT SCALE PRINT																														
RELEASE FORCE — — — 1.250 OZ MIN		TOLERANCES APPLY TO DESIGN UNITS. CONVERSIONS ARE ONLY FOR REFERENCE. UNLESS NOTED, TOLERANCES ARE ±																														
PRETRAVEL — — — .020 APPROX		<table border="1"> <thead> <tr> <th></th> <th>DIM. mm</th> <th>TOL. mm/in</th> <th>DIM. in</th> <th>TOL. mm/in</th> </tr> </thead> <tbody> <tr> <td>NO PLACES</td> <td>X</td> <td>1/04</td> <td></td> <td></td> </tr> <tr> <td>ONE PLACE</td> <td>X, X</td> <td>0.4/018</td> <td>X, X</td> <td>0.8/03</td> </tr> <tr> <td>TWO PLACES</td> <td>X, XX</td> <td>0.16/008</td> <td>X, XX</td> <td>0.38/015</td> </tr> <tr> <td>THREE PLACES</td> <td>X, XXX</td> <td></td> <td>X, XXX</td> <td>0.13/005</td> </tr> <tr> <td>ANGLES</td> <td></td> <td></td> <td></td> <td>2°</td> </tr> </tbody> </table>		DIM. mm	TOL. mm/in	DIM. in	TOL. mm/in	NO PLACES	X	1/04			ONE PLACE	X, X	0.4/018	X, X	0.8/03	TWO PLACES	X, XX	0.16/008	X, XX	0.38/015	THREE PLACES	X, XXX		X, XXX	0.13/005	ANGLES				2°
	DIM. mm	TOL. mm/in	DIM. in	TOL. mm/in																												
NO PLACES	X	1/04																														
ONE PLACE	X, X	0.4/018	X, X	0.8/03																												
TWO PLACES	X, XX	0.16/008	X, XX	0.38/015																												
THREE PLACES	X, XXX		X, XXX	0.13/005																												
ANGLES				2°																												
OVERTRAVEL — — — .260 REF		DESIGN UNITS <input type="checkbox"/> SI METRIC <input type="checkbox"/> US CUSTOMARY <input checked="" type="checkbox"/>																														
		WEIGHT																														