

**Industrial Ethernet  
IE-XR-RJ45/RJ45-2**

**Weidmüller Interface GmbH & Co. KG**  
Klingenbergstraße 16  
D-32758 Detmold  
Germany  
Fon: +49 5231 14-0  
Fax: +49 5231 14-292083  
www.weidmueller.com



IE plug-in connectors, IP20, for copper and fibre optic cables

**General ordering data**

Type	IE-XR-RJ45/RJ45-2
Order No.	<a href="#">8952950000</a>
Version	Mounting flange, Cat.6 <sub>A</sub> / Class E <sub>A</sub> (ISO/IEC 11801 2010), IP 67
GTIN (EAN)	4032248744329
Qty.	24 pc(s).

## Data sheet

### Industrial Ethernet IE-XR-RJ45/RJ45-2

**Weidmüller Interface GmbH & Co. KG**  
 Klingenbergstraße 16  
 D-32758 Detmold  
 Germany  
 Fon: +49 5231 14-0  
 Fax: +49 5231 14-292083  
 www.weidmueller.com

## Technical data

### Dimensions and weights

Net weight	21.417 g
------------	----------

### Temperatures

Operating temperature	-40 °C...70 °C	Storage temperature	
Installation temperature			

### Electrical properties

Contact resistance	≤ 20 mΩ	Current-carrying capacity at 50 °C	1 A
Dielectric strength, contact / contact	≥ 1000 V DC	Dielectric strength, contact / shield	≤ 1500 V DC
Insulation resistance	> 500 MΩ	PoE / PoE+	conforming to IEEE 802.3at

### Standards

Connector standard	IEC 60603-7-5
--------------------	---------------

### Classifications

eClass 6.2	27-25-05-04
------------	-------------

### Approvals

ROHS	Conform
------	---------

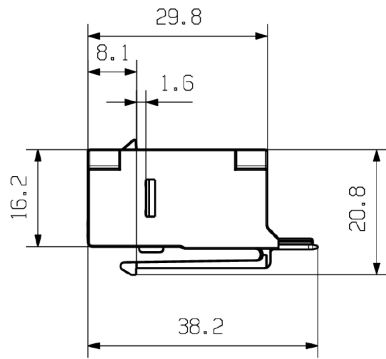
**Data sheet**

**Industrial Ethernet  
IE-XR-RJ45/RJ45-2**

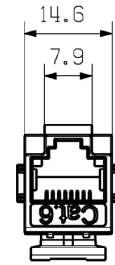
**Weidmüller Interface GmbH & Co. KG**  
Klingenbergstraße 16  
D-32758 Detmold  
Germany  
Fon: +49 5231 14-0  
Fax: +49 5231 14-292083  
www.weidmueller.com

**Drawings**

**Dimensioned drawing**



**Dimensioned drawing**



**Installation cut-out**

