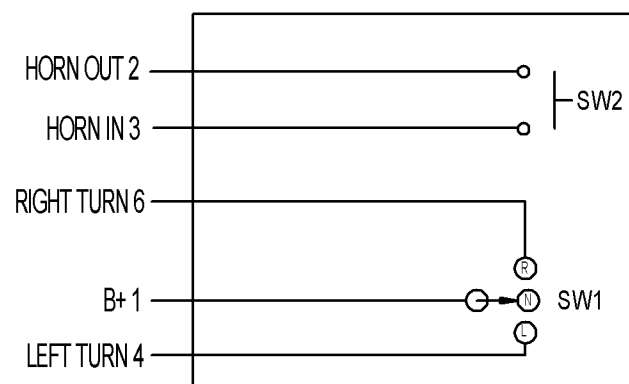
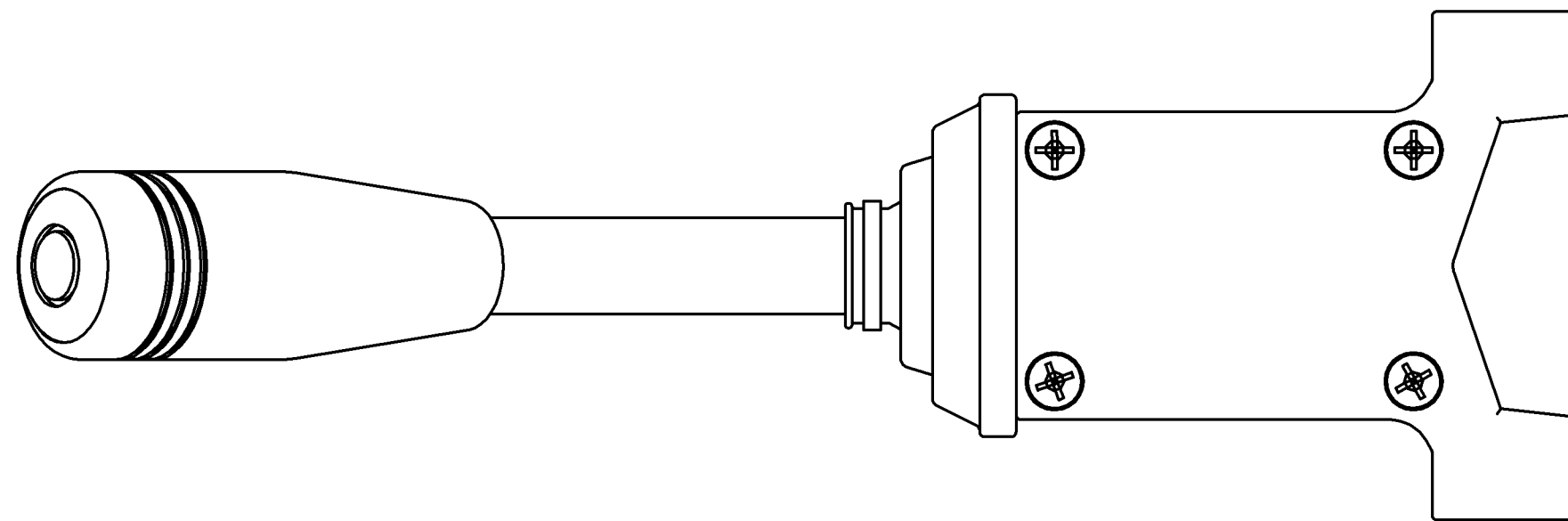


|                          |
|--------------------------|
| HONEYWELL<br>PART NUMBER |
| 89166                    |

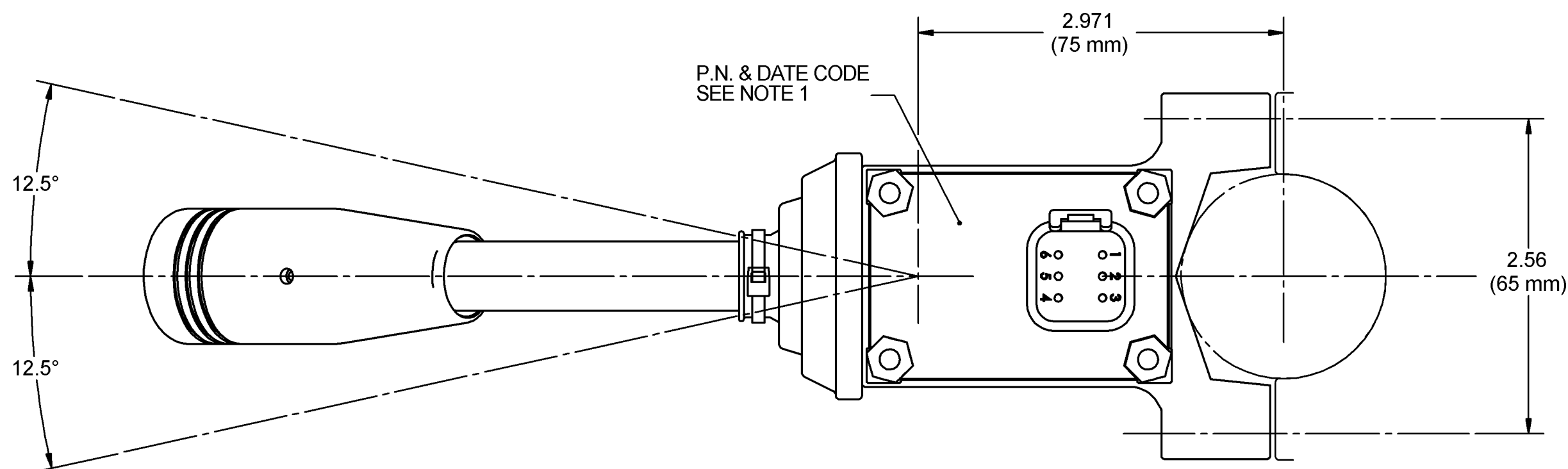
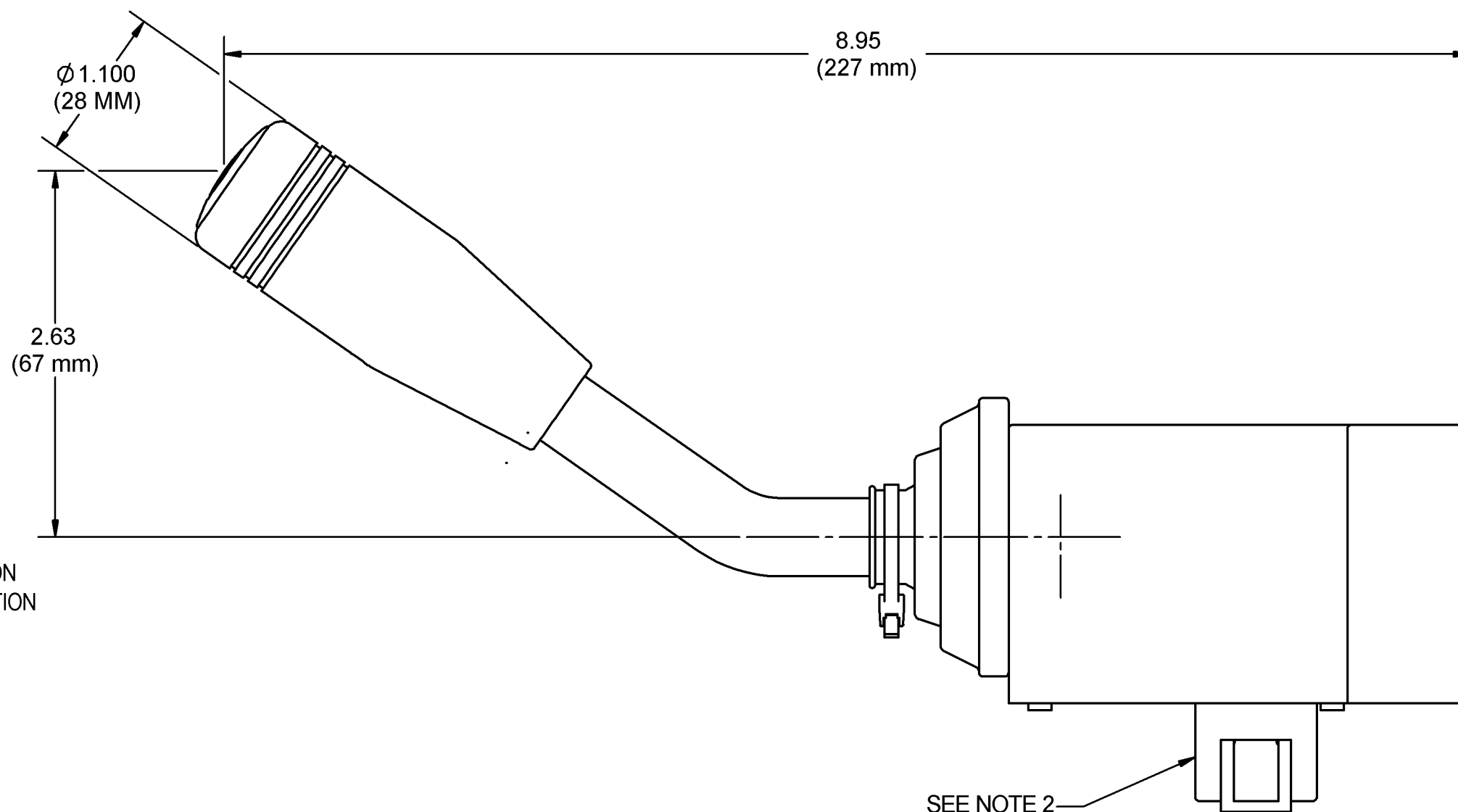
| REV | DOCUMENT | CHANGED BY  | CHECK |
|-----|----------|-------------|-------|
| B   | 0082064  | SBH 22SEP11 | CMH   |



ELECTRICAL SCHEMATIC  
(SHOWN IN NEUTRAL)

LEGEND

- SW1 TURN SIGNAL SWITCH
- SW2 HORN BUTTON SWITCH
- L LEFT TURN POSITION
- R RIGHT TURN POSITION



- NOTES:
- CUSTOMER OR HONEYWELL HOBBS P/N, CHANGE NO. AND DATE CODE TO BE STAMPED IN AREA SHOWN.
  - A. MATING CONNECTOR-DEUTSCH DT06-06S  
B. CONNECTOR TERMINAL-DEUTSCH 1066-16-0122  
OPTIONAL TERMINAL-DEUTSCH0462-201-16141  
C. CONNECTOR WEDGE-DEUTSXH W6S  
D. SEALING PLUG-DEUTSCH 114017

|                          |  |        |         |                                    |      |           |              |     |
|--------------------------|--|--------|---------|------------------------------------|------|-----------|--------------|-----|
| DESIGN UNITS: INCH [MM]  | DRAWN  | RF     | IIMAR03 | <b>Honeywell</b>                   |      |           |              |     |
| TOLERANCES UNLESS NOTED: | CHECK  | -      | -       |                                    |      |           |              |     |
| NO PLACES .x ± .400      | THIS DRAWING COVERS A PROPRIETARY ITEM AND IS THE PROPERTY OF HONEYWELL. THIS DRAWING IS NOT TO BE COPIED OR USED WITHOUT THE PERMISSION OF HONEYWELL. |        |         | TITLE                              |      |           |              |     |
| ONE PLACE .X ± .030      |  |        |         | <b>SWITCH ASSY<br/>TURN SIGNAL</b> |      |           |              |     |
| TWO PLACE .XX ± .015     |  |        |         | SIZE                               | TYPE | CAGE CODE | DRAWING NAME | REV |
| THREE PLACE .XXX ± .005  |  |        |         | C                                  | I    | -         | 89166        | B   |
| ANGLES X ± 3°            | INTERPRET PER ASME Y14.5M-1994 OTHER HONEYWELL ENGINEERING STANDARDS MAY APPLY   |        |         | SHEET 1 OF 1                       |      |           |              |     |
| THIRD ANGLE PROJECTION   |  | RASTER |         | SCALE NONE                         |      |           |              |     |