

# 88UKD Series - Miniature Open Style SPST - N.O., 30 Amp



The 88UKD is a small but tough miniature open style relay capable of up to 30 amps at 300VAC or 28VDC. A decreased current rating of 5 amps is permissible at 600VAC. Ideal for applications where only a small package will fit or no socket is desired.

## GENERAL SPECIFICATIONS (@ 25° C)

### Contacts:

Contact Configuration	SPST-NO-Double Make
Contact Material	Silver Alloy
Contact Rating	
120 / 240VAC Resistive	30 Amp
28VDC Resistive	30 Amp
Motor 120VAC 1 Phase	1Hp
Motor 240VAC 1 Phase	1Hp
Contact Resistance, Initial	50 milliohms max @ 6VDC

### Coil:

Coils Available	AC and DC
Nominal Coil Power	3VA 1.5W
Input Voltage Tolerance - AC	85% to 110% of nominal
Input Voltage Tolerance - DC	80% to 110% of nominal
Drop-out voltage	10% of nominal
Duty	Continuous

### Timing:

Operate Time (max)	25ms
Release Time (max)	20ms

### Dielectric Strength:

Across Open Contacts	1000 VRMS
Between Mutally Insulated Points	1000 VRMS
Insulation Resistance	1000 megohms @ 500VAC

### Temperature:

Operating	-10 to 60°C (14 to 140°F)
Storage	-40 to 105°C (-40 to 221°F)

### Life Expectancy:

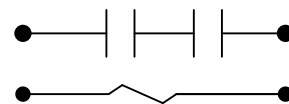
Electrical (full load operations)	100,000
Mechanical (no load operations)	5,000,000

### Miscellaneous:

Mounting Position	Any
Enclosure	Open
Weight	3.0oz (85 grams)



### 88UKD Wire Diagram

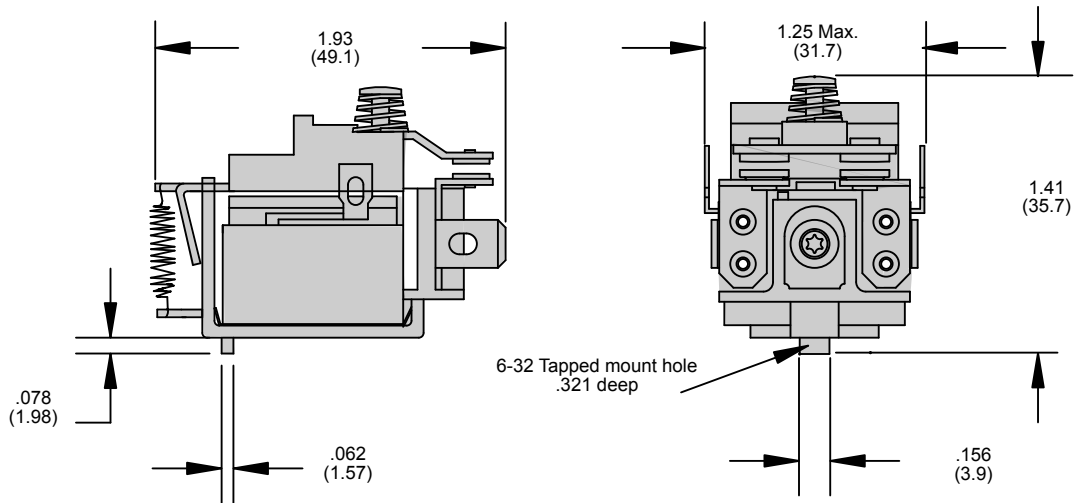


# Power Relays

## 30 - 300 Amp

### Outline Dimensions

Dimensions shown in inches & (millimeters)



### 88UKD Part Number Chart

Part number	Nominal input voltage	Nominal resistance (ohms)	Nominal power
VAC Operated coil			
88UKADX-3	24VAC	44	3VA
88UKADX-4	120VAC	1,000	3VA
88UKADX-5	240VAC 60HZ 220VAC 50HZ	5,400	3VA
VDC Operated coil			
88UKDX-2	12VDC	100	1.5W
88UKDX-3	24VDC	400	1.5W
88UKDX-4	110VDC	8000	1.5W