

# Accessories

## Wireless network antennas

- › Used with all range of em4 remote, em4 alert 2G and 3G
- › Wifi, Bluetooth, UMTS and GSM compatible
- › Internal magnetic mount with 3 m length cable compact, for out of the panel installation (88 980 160)
- › Magnetic / sticky mount with 3 m length cable for discretely mounting out of the panel or outdoor (88 980 161)
- › Robust, bracket mount with 10 m length cable for installation outdoor (88 980 162)



88 980 160



88 980 161



88 980 162

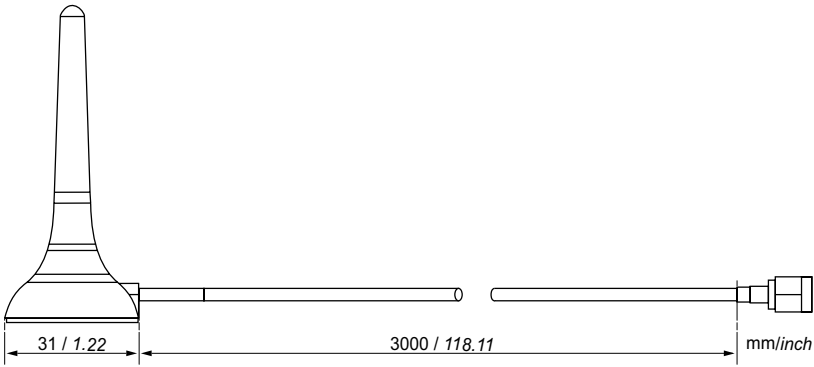
Specific characteristics			
Part number	88 980 160	88 980 161	88 980 162
Type	Inside	Inside, outside	Outside
Fixation	Magnetic / sticky	Magnetic / sticky	Square and 6 mm diameter hole
V.S.W.R	< 2: 1	< 1.5: 1	< 2: 1
Cable length	3 m		10 m
Cable type	RG174		RG58
Gain	2.2 dB max	2.14 dB max	High gain collinear antenna
Frequencies	GSM 850/900/1800/ 1900/2100 MHz 2.4 GHz WIFI & Bluetooth	AMPS 824-894 MHz, GSM 900 MHz, GSM 1800 MHz PCN 1.9 GHz, UMTS 2.1 GHz 2.4 GHz WIFI & Bluetooth	
Weight	Without packing: 60 g With packing: 65 g	Without packing: 95 g With packing: 100 g	Without packing: 485 g With packing: 500 g
Dimensions	Without packing: 72 mm, diameter 31 mm / 2.84, 1.22 diameter inch With packing: 200 x 100 x 32 mm / 7.87 x 3.94 x 1.26 inch	Without packing: 80 x 76 x 14 mm / 3.15 x 2.95 x 0.55 inch With packing: 300 x 115 x 15 mm / 11.8 x 4.53 x 0.59 inch	Without packing: 274 mm, diameter 16.3 mm / 10.78 inch, 0.64 diameter inch With packing: 480 x 210 x 15 mm / 18.9 x 8.27 x 0.59 inch

General characteristics	
Connector	RP SMA: SMA Male Reverse Polarity
Impedance	50 Ω
Operation temperature	-40°C (-40°F) ➔ +85°C (185°F)
Polarization	Vertical

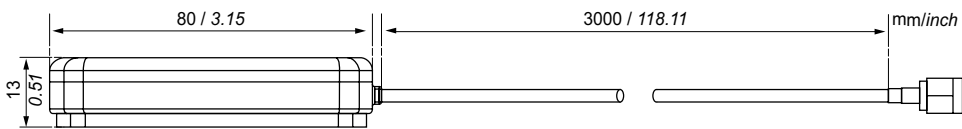
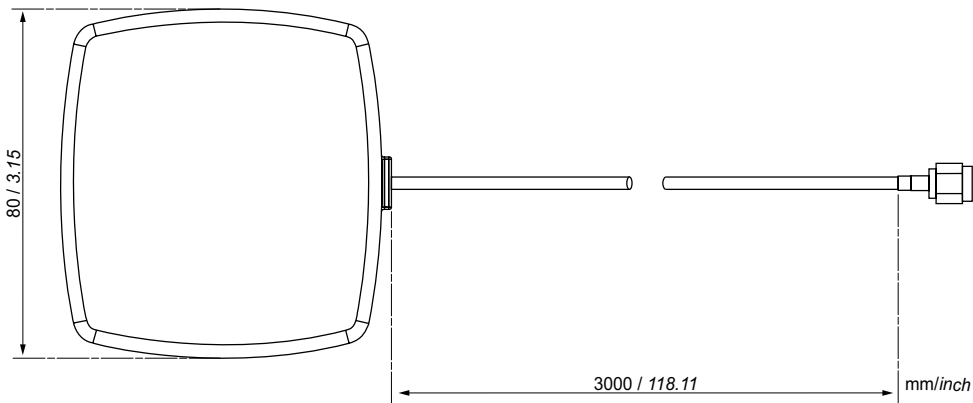
Diagrams

Dimensions

88 980 160



88 980 161



88 980 162

