

# > em4

## Accessories

### RS485 polarized interface, Modbus master / slave

- > Modbus RTU or ASCII RS485 master / slave standard widely used in industry
- > Useful to connect one or several em4 to a programmable touch panel or a SCADA
- > The removable connector allows to unplug em4 without cutting the network
- > Include End Of Line resistor
- > Direct connection with screw terminals without the need external accessories



RS485 interface - Black

#### Specific characteristics

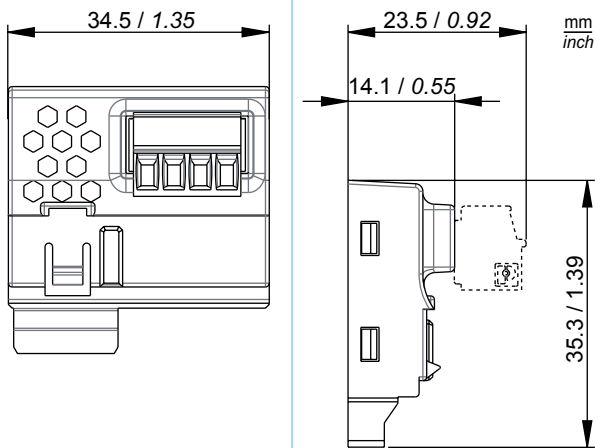
|                             |                |
|-----------------------------|----------------|
| Part number                 | 88 980 122     |
| Finish                      | Glossy black   |
| Color                       | Black RAL 9011 |
| Plastic parts Certification | UL94 V0        |

#### General characteristics

|   |   |
|---|---|
| Protocol  | Master and Slave Modbus   |
| Compatible  | Base 24 VDC power supply version  |
| Protection rating (in accordance with IEC/EN 60529)                       | IP 20   |
| Type  | 2 wires   |
| Transmission mode   | RTU 8 bits / ASCII 7 bits   |
| Parity  | None, even, odd   |
| Stop bit  | 1 or 2  |
| Transmission rate   | 1200, 2400, 4800, 9600, 19200, 28800, 38400, 57600 bauds  |
| Adressing   | From 1 to 247   |
| Line Terminaison  | Included, connectable by wiring   |
| Line Polarization   | Included  |
| Compatible connector  | Phoenix contact: 1916410 Dinkle: EC350V-04P-BK<br>Framatome connectors: 20020004-C042B01LF (Included with the interface)  |
| Weight  | Without packing: 13g / With packing: 19g  |
| Dimensions  | Without packing: 35 x 36 x 24 mm / 1.38 x 1.42 x .92 inch<br>With packing: 80 x 140 x 30 mm / 3.15 x 5.51 x 1.18 inch   |
| Products certifications   | CE, cURus   |
| Conformity with the EMC directive (in accordance with 2014/30/EU)         | IEC/EN 61000-6-1 (Residential, commercial and light-industrial environments)<br>IEC/EN 61000-6-2 (Industrial)<br>IEC/EN 61000-6-3 (Residential, commercial and light-industrial environments)<br>IEC/EN 61000-6-4 (Industrial)                        |
| Operation temperature   | -20 (-4 °F) => +60°C (140 °F) (+40°C (104 °F) in a non-ventilated enclosure)  |
| Storage temperature   | -40 (-40 °F) => +80°C (176 °F)  |
| Relative humidity   | 95% max. (no condensation or dripping water)  |
| Maximum utilization altitude  | Operation: 2000 m / Transport: 3000 m   |
| Resistance to electrostatic discharge                                     | Immunity to ESD IEC/EN 61000-4-2, level 3   |
| Resistance to HF interference (Immunity)                                  | Immunity to radiated electrostatic fields IEC/EN 61000-4-3, level 3<br>Immunity to fast transients (burst immunity) IEC/EN 61000-4-4, level 3<br>Immunity to shock waves IEC/EN 61000-4-5<br>Radio frequency in common mode IEC/EN 61000-4-6, level 3 |
| Conducted and radiated emissions (in accordance with EN 55022/11 group 1) | Class B   |

Diagrams

Dimensions



Network configuration

