

Crydom

See full Datasheet below...

onlinecomponents.com
THE ONLINE DISTRIBUTOR OF ELECTRONIC COMPONENTS

BUY NOW

 **MASTER**TM
E L E C T R O N I C S

BUY NOW

masterelectronics.com & onlinecomponents.com
are **authorized** e-commerce distributors
of electronic components.

816 SERIES MULTIFUNCTION TIMER

UL listed CSA recognized

- Red LCD Backlit Actual Timing Display
- High Contrast LCD Setpoint Display
- 6 Modes of Operation
- 11 Selectable Time Ranges



The 816 Series Timer is a multifunction timer with a red backlit LCD display showing actual process time and a high contrast LCD display showing setpoint time. The 816 Timer has eleven selectable time ranges (.01 sec to 9999 hours) and is housed in a 1/16 DIN (48 x 48mm) style enclosure. Easy programming from the front panel push buttons allows selection of up or down timing. 6 different timing functions (Delay on Make, Delay on Break, Interval, Single Shot, Repeat Cycle ON Time First and Repeat Cycle OFF Time First) and 11 different timing ranges. The LCD display also shows relay output, power input and initiate switch status. Slide switch on side of unit provide lock-out of front panel access to operating mode programming.

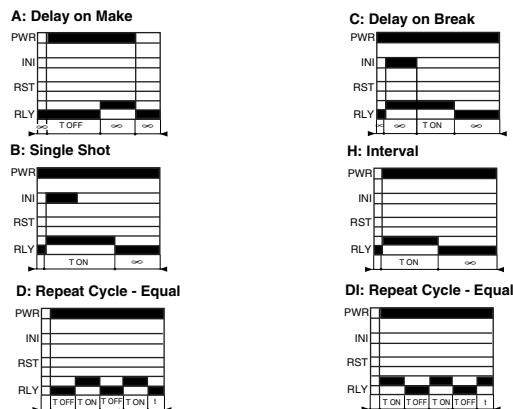
SPECIFICATIONS:

Input Power	220 VAC, 110 VAC, 24 VAC/DC, +10%, -15%
Input Power Consumption ..	1 VA at 24 VAC, 4 VA at 110 VAC, 12 VA at 230 VAC, .5 W at 24 VDC
Display	7 mm High, 4 Digit Backlit LCD
Initiate Switch Input	Dry Contact (50 ms min.)
Output	
Output	SPDT
Max Switching Current/Voltage	8 Amp 250 VAC
Max Power Rating	200 VA/190 W
Min Switch Current	100 mA
Electrical Life of Relay	10 ⁶ Operations at full load
Time Ranges	99.99 s 999.9 s 9999 s 99 min 59 s 99.99 min 999.9 min 9999 min 99h 59 min 99.99 hrs 999.9 hrs 9999 hrs
	Note: The 99.99 s time range is not available in the Repeat Cycle Mode
Front Panel Rating	NEMA 12
Repeat Accuracy	±0.03%, ±20 ms
Reset Time	50 ms during timing 50 ms after timing
Insulation Resistance	100 mΩ min @ 500 VAC to IEC 255.5
Dielectric Strength	2000 VAC @ 50 Hz for 1 min to VDE 0435
Noise Immunity/Interference ..	IEC 1000.4.4 Level IV (Direct 4 KV) IEC 1000.4.3 Level III (10 V/m)
Operating Temperature	+14°F to +140°F (-10°C to +60°C)
Weight	3.5 oz. (100g)
Panel Cutout	45 x 45mm (+0.6)

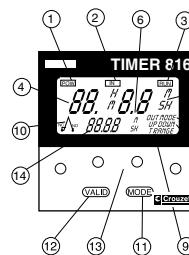
ORDERING INFORMATION:

	VOLTAGE	VOLTAGE
	VOLTAGE	VOLTAGE
	VOLTAGE	VOLTAGE
	110 VAC/24 VAC/DC	220 VAC/24 VAC/VDC

MODE OF OPERATIONS:

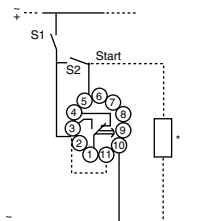
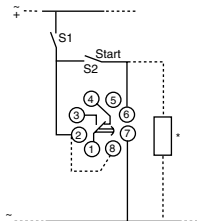


PROGRAMMING:



- 1: Power On Indicator
- 2: Initiate Switch Indicator
- 3: Timing Indicator
- 4: Timing Display
- 5: Timing Range Unit
- 6: Decimal Point
- 7: Mode of Operation
- 8: Up or Down Timing
- 9: Timing Range
- 10: Relay Output Status
- 11: Program Mode
- 12: Validation
- 13: Preset Keyboard
- 14: Preset Value Display

WIRING:



For 24 VAC/VDC service voltage for 8 pin versions jumper terminals 2 and 8. For 24 VAC/VDC service voltage for 11 pin versions jumper terminals 2 and 11.

"Load, such as light bulb or contractor, can be connected in parallel with the start switch"

DIMENSIONS See page 4-2

PART NUMBER	PART NUMBER
8 PIN	11 PIN
8 PIN VERSION	11 PIN VERSION
88 857 607	88 857 707
88 857 601	88 857 701

Products and specifications subject to change without notice.
Consult factory for application assistance.

814 SERIES MULTIFUNCTION TIMER

UL listed CSA recognized

- **DIN-Sized (48 x 48mm) Housing**
- **6 Modes of Operation**
- **Large LCD Display**
- **Up or Down Timing**
- **SPDT 10 Amp Relay Output**
- **NEMA 12 Front Panel**

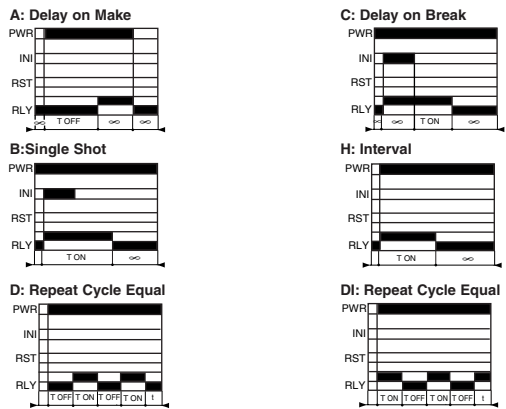


The 814 Series Timer is a multifunction timer with multi-time ranges (0.01 sec to 9999 hours) housed in a 1/16 DIN (48 x 48mm) style enclosure. Easy programming from the front panel push buttons allows selection of up or down timing, 6 different timing functions (Delay on Make, Delay on Break, Interval, Single Shot, Repeat Cycle ON Time First and Repeat OFF Time First) and 11 different timing ranges. A large 4-digit LCD display indicates current and preset values as well as relay output, power input, and initiate switch status. Load such, as light bulb or contactor can be connected to the start switch. Slide switch on side of unit provides lockout of front panel access to operating mode programming.

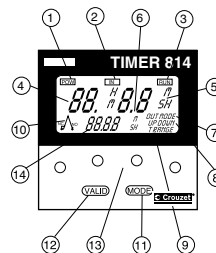
SPECIFICATIONS:

Input Power	220 VAC, 115 VAC, 48 VAC/DC, 24 VAC/DC 12 VDC, 50/60 Hz, ±15%
Input Power Consumption	11 VA at 220 VAC 0.5 W at 24 VDC 4 VA at 110 VAC 0.5 W at 12 VDC 1 VA at 24 VAC
Display	Timing Display .3" (7.5mm) High 4 Digit LCD Preset Display .18" (4.5mm) High 4 Digit LCD
Initiate Switch Input	Dry Contact (50 ms min.)
Output	SPDT Relay
Max. Switching Current/Voltage	8 pin Version: 10 Amp 250 VAC 11 pin Version: 8 Amp 250 VAC
Max. Power Rating	2000 VA/50 W
Min. Switch Current	100 mA
Electrical Life of Relay	2 x 10 ⁶ Operations
Time Ranges	99.99 s, 999.9 s 9999 s, 99 min, 59 s 99.99 min 9999 min 99h 59 min 99.99 hrs 999.9 hrs 9999 h
	Note: The 99.99 s time range is not available in the Repeat Cycle Mode
Front Panel Rating	NEMA 12
Repeat Accuracy	±0.03%
Reset Time	50 ms during timing 50 ms after timing
Insulation Resistance	100 MΩ min @ 500 VAC to IEC 255.5
Dielectric Strength	2000 VAC @ 50 Hz for 1 min to VDE 0435
Operating Temperature	+14°F to +140°F (-10°C to +60°C)
Weight	3.5 oz. (100g)
Panel Cutout	45 x 45mm (+0.6)

MODE OF OPERATIONS:

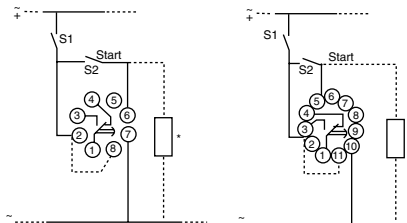


PROGRAMMING:



- 1: Power On Indicator
- 2: Initiate Switch Indicator
- 3: Timing Indicator
- 4: Timing Display
- 5: Timing Range Unit
- 6: Decimal Point
- 7: Mode of Operation
- 8: Up or Down Timing
- 9: Timing Range
- 10: Relay Output Status
- 11: Program Mode
- 12: Validation
- 13: Preset Keyboard
- 14: Preset Value Display

WIRING:



For 24 VAC/VDC service voltage for 8 pin versions jumper terminals 2 and 8. For 24 VAC/VDC service voltage for 11 pin versions jumper terminals 2 and 11.

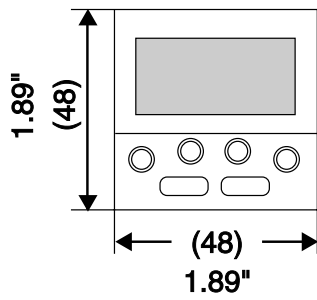
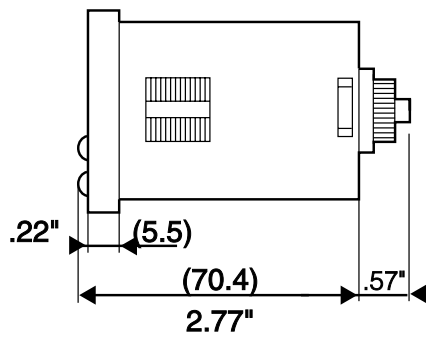
*Load, such as light bulb or contractor, can be connected in parallel with the start switch

ORDERING INFORMATION:

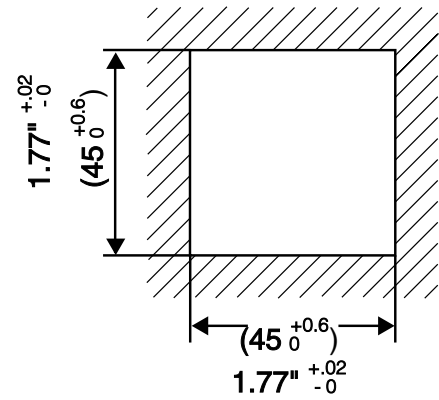
VOLTAGE	VOLTAGE	PART NUMBER	PART NUMBER	DIMENSIONS See page 4-2
		8 PIN	11 PIN	
		8 PIN VERSION	11 PIN VERSION	
		88 857 005	88 857 105	
		88 857 003	88 857 103	

Products and specifications subject to change without notice. Consult factory for application assistance.

812, 814, 815, 816 Series

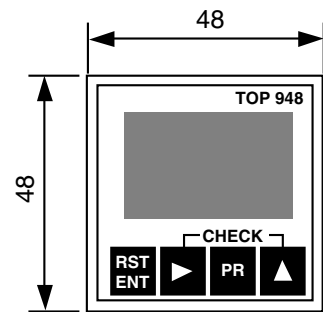
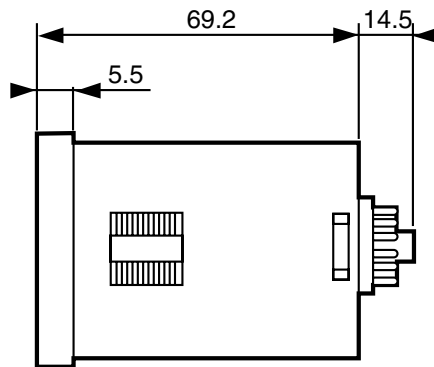
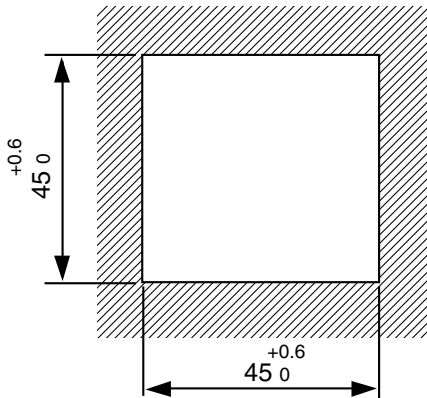


Panel cut-out



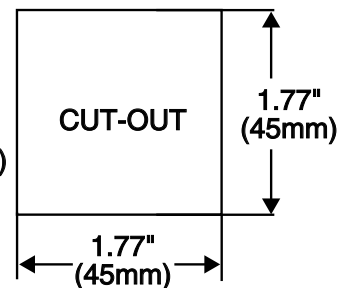
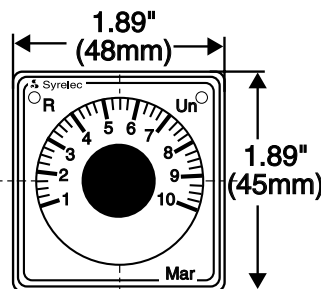
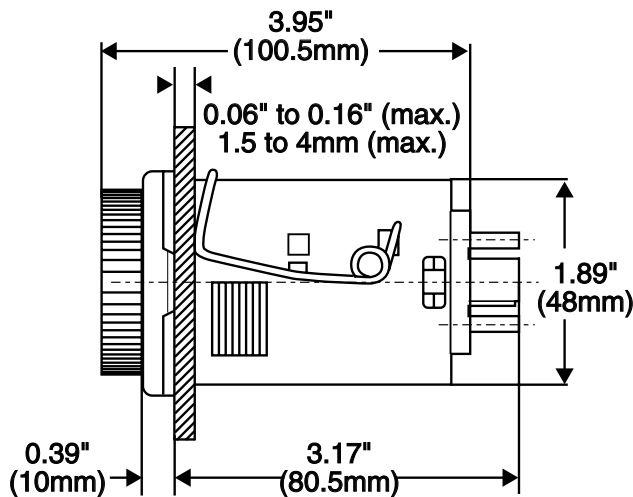
88857 Series

Cut-out



M/F/G Models

M and G Socket



Products and specifications subject to change without notice.
Consult factory for application assistance.