

Crydom

See full Datasheet below...

onlinecomponents.com
THE ONLINE DISTRIBUTOR OF ELECTRONIC COMPONENTS

BUY NOW

 **MASTER**TM
ELECTRONICS

BUY NOW

masterelectronics.com & onlinecomponents.com
are **authorized** e-commerce distributors
of electronic components.



Top 2000 6 s 12 mm Part number 88226011



Relay output

- Mono-voltage
- 1 timed changeover and 1 instantaneous contact
- Elapsed time can be saved mechanically in the event of a break in supply
- Progress of cycle displayed
- Housing 48 x 48 mm
- Connection by screw-terminal base or 8-pin base

	Type	Functions	Relay outputs	Delay	Voltages
88 226 013	6 s 12 mm	Multi-function 2 - 3 - 4	1 time changeover 5 A 1 instantaneous	12 min : - Max. timing 6 s - 60 s - 12 min- Dial graduation 0.1 s - 1 s - 12 s	24 V AC
88 226 019	6 s 12 mm	-	-	-	42 1\ 48 V AC
88 226 012	6 s 12 mm	-	-	-	110 1\ 127 V AC
88 226 011	6 s 12 mm	-	-	-	220 1\ 240 V AC
88 226 501	6 s 12 mm	-	-	-	24 V AC
88 226 502	6 s 12 mm	-	-	-	42 1\ 48 V AC
88 226 503	6 s 12 mm	-	-	-	110 1\ 127 V AC
88 226 504	6 s 12 mm	-	-	-	220 1\ 240 V
88 226 016	6 min 12 h	Multi-function 2 - 3 - 4	1 timed changeover 5 A1 instantaneous	12 min : - Max. timing 6 s - 60 s - 12 min- Dial graduation 0.1 s - 1 s - 12 s	24 V AC - 50 Hz
88 226 505	6 min 12 h	-	-	-	24 VAC- 50 Hz
88 226 017	6 min 12 h	-	-	-	42 to 48 V AC - 50 Hz
88 226 506	6 min 12 h	-	-	-	42 →48 VAC- 50 Hz
88 226 015	6 min 12 h	-	-	-	110 to 127 V AC - 50 Hz
88 226 507	6 min 12 h	-	-	-	110 →127 VAC- 50 Hz
88 226 014	6 min 12 h	-	-	-	220 to 240 V AC - 50 Hz
88 226 508	6 min 12 h	-	-	-	220 →240 VAC- 50 Hz

Precision limit error

Repetition accuracy	± 1.5 % (± 4 %/6 s)
Selection precision	See "timing ranges" table for scale graduation
Reset time	0.20 s

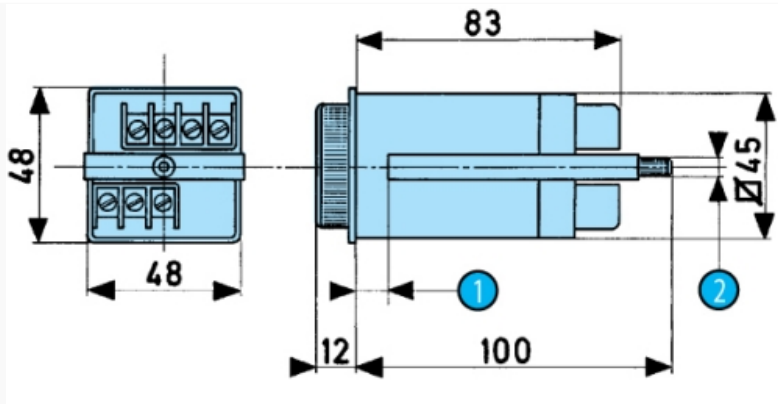
Timed two-pole

Instantaneous single pole	1
Thermal rating	6,3 A
Rating (cos φ = 0.41) 10 ⁴ operations	5 A - 230 V

Absorbed power-motor

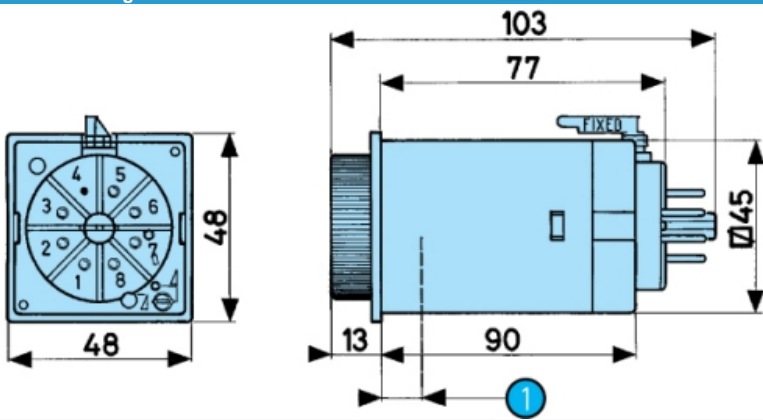
Voltage variation at maximum temperature of 55 °C according to IEC 255 100	24 V +10 % - 42 V -15 % 48 V +10 % - 110 V -20 % 127 V 0 % - 220 V -20 % 240 V 0 %
Operator factor	100 %
Temperature limits use (°C)	-10→+55
Temperature limits stored (°C)	-20→70
Environmental protection Tropicalised to IEC 68-2-10	■
Vibration withstand on 3 axes (Veritas standard)	4 G - 55 Hz
Dielectric test voltage according to IEC 255 5 or VDE 0435	1000 V - Un ≤ 60 V 2000 V - Un > 60 V
Insulation according to standard VDE 0110 group C	380 V AC - 440 V DC
Protection Housing	IP 40
Degree of terminal protection	IP 10
Conformity to standards NFC 45250 - VDE 0110 - 0435 - 0660 or ICE 529	■
Connection : Screw/saddle	■
Terminal capacity Single-wire 1 or 2 leads Multi-wire	0,75 - 2,5 mm ²
Terminal capacity Multi-wire 1 or 2 leads	0,5 - 1 mm ²
Mounting : Base mounting on 8-pin socket	■
Weight (g)	185

Dimension Diagram : 88 226 0



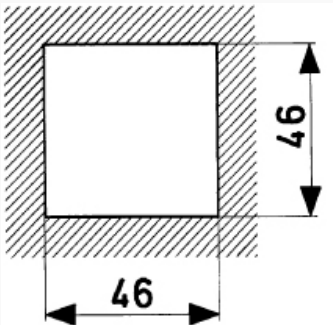
N°	Legend
1	Panel depth 10 mm max.
2	M3 screw

Dimension Diagram : 88 226 5

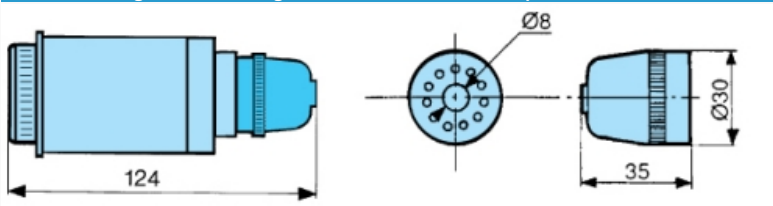


N°	Legend
1	Panel depth 10 mm max.

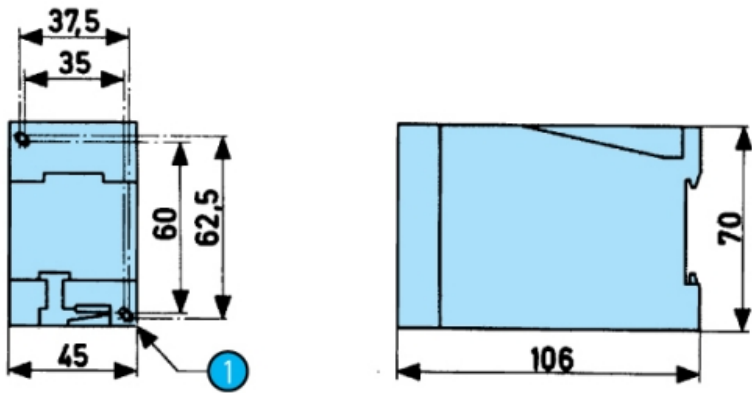
Dimension Diagram : Panel cut-out



Dimension Diagram : Solder tag connector 25 622 301 - 8-pin

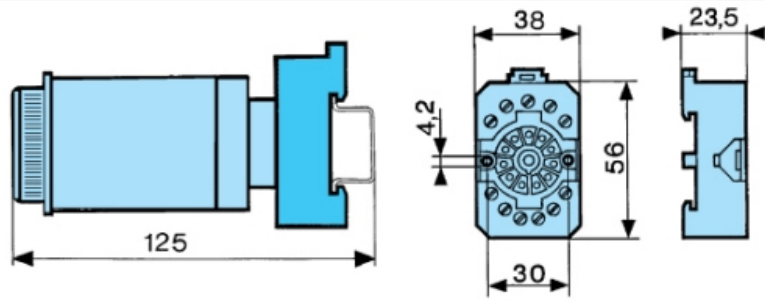


Dimension Diagram : Inverter for DC supply 84 861 501 : 24 *48 V DC 84 861 503 : 110 *127 V DC Weight 150 g

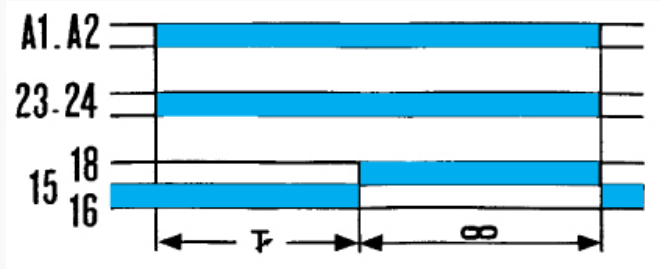


N°	Legend
1	Fixing holes ø 5

Dimension Diagram : Screw terminal or connector socket26 622 128 - 8-pin

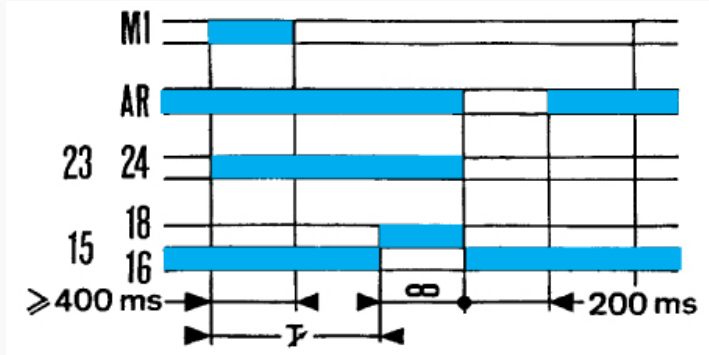


Curves : Function 2



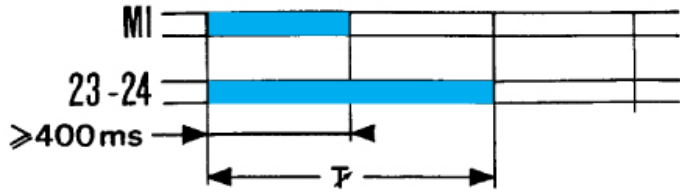
Function
*** TRADUCTION MANQUANTE ***

Curves : Function 3



Function
*** TRADUCTION MANQUANTE ***

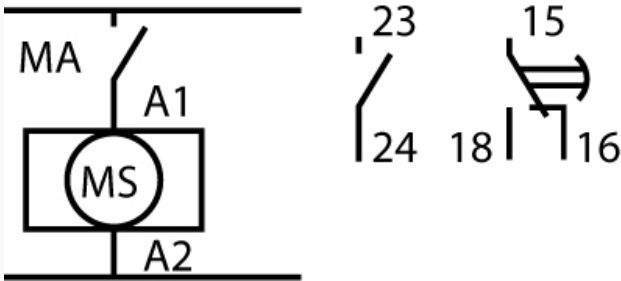
Curves : Function 4



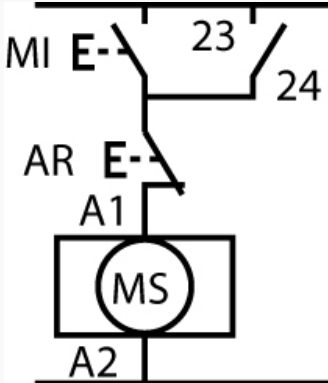
Function

*** TRADUCTION MANQUANTE ***

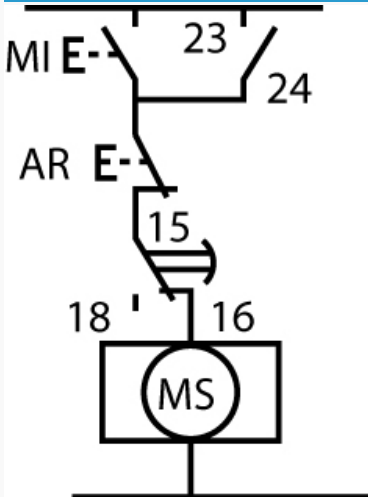
: Function 2



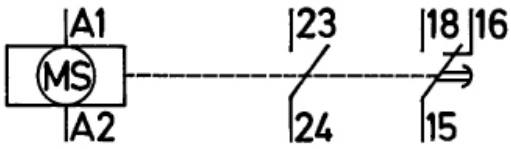
: Function 3



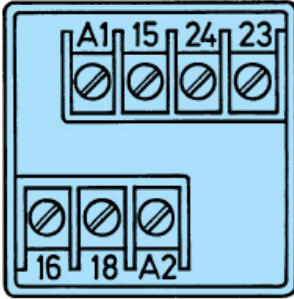
: Function 4



: Internal layout 88 226 0

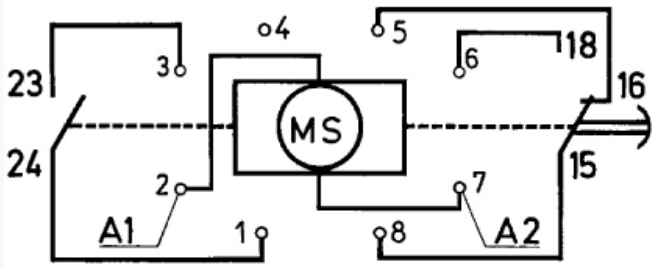


: Terminal identification 88 226 0

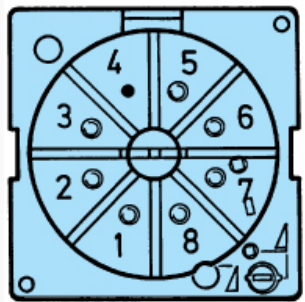


N°	Legend
A1-A2	Supply
15-16-18	Timed contact
23-24	Instantaneous contact

: Internal layout 88 226 5



: Terminal identification 88 226 5



N° 2-3	Legend
2-7	Supply
8-5-6	Timed contact
3-1	Instantaneous contact