

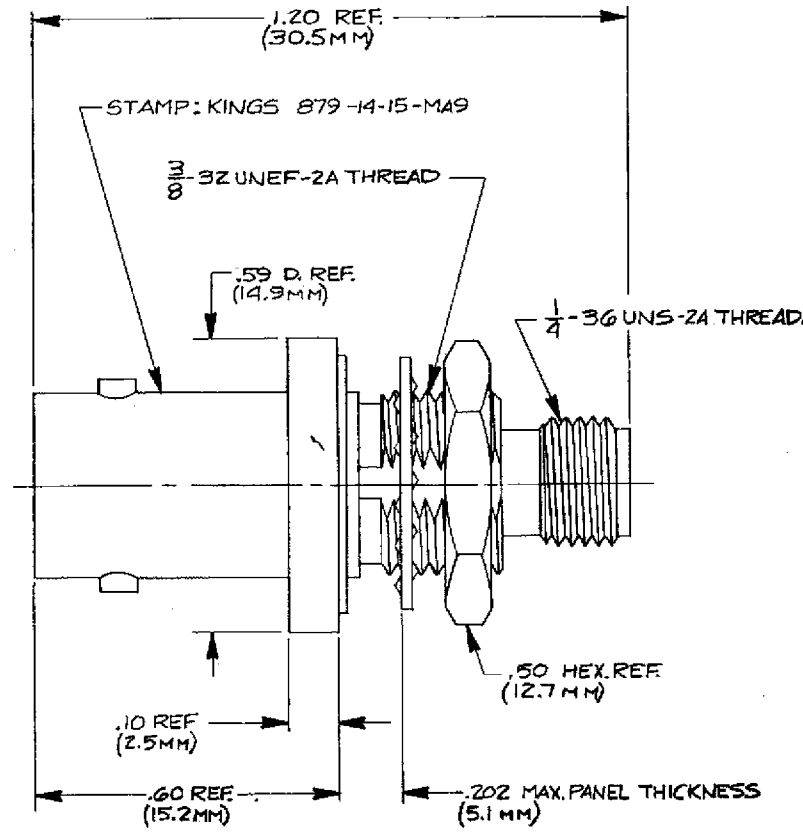
DASH NO.	M CODE	MADE FROM
----------	--------	-----------

REVISIONS	
ISSUE	CHANGES
1	CN 27180 C GA 23 MAY 85

879-14-15-MA9

GSD

GSD



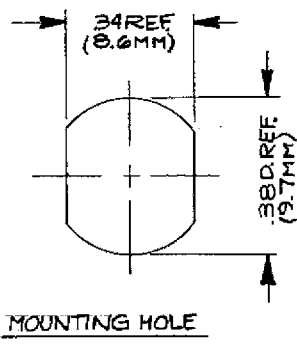
NOTES: (CONT)

2. FINISHES:
ALL METAL PARTS - HARD GOLD PLATE PER MIL-G-45204.

3. ELECTRICAL CHARACTERISTICS:
WORKING VOLTAGE - 500 VOLTS RMS.
NOMINAL IMPEDANCE - 50Ω.
FREQUENCY RANGE - DC TO 4GHz.

NOTES:

1. MATERIALS:
CONTACT - BERYLLIUM COPPER, QQ-C-530.
SMA BODY -
LOCKWASHER - PHOSPHOR BRONZE, QQ-B-750.
GASKET - SILICONE RUBBER, ZS-R-765.
INSULATOR - TEFLON, L-P-403.
ALL OTHER METAL PARTS - BRASS, QQ-B-626.



UNLESS OTHERWISE SPECIFIED:

1. TOLERANCES: FRACTIONS & 2 PLACE DECIMALS ± .010	2. REMOVE ALL BURRS, BREAK SHARP EDGES .005 MAX.
3 PLACE DECIMALS ± .004	3. NO FILLETS PERMITTED.
T. I. R. ANGLES ± 0°30'	4. SURFACE ROUGHNESS 63 MICROINCHES RMS MAX.
T. I. R. CONCENTRICITY OF ANY 2 DIAMETERS MAY NOT EXCEED HALF THE SUM OF THEIR TOLERANCES.	5. ALL DIMENSIONS PRIOR TO PLATING.
	6. ALL PLATING IN ACCORDANCE WITH KER 10004.

SCALE	4:1
APPROX SURFACE AREA	
USED ON	
REF	
BULKHEAD ADAPTER SMA TO BNC	
DRAWN	AMD DATE 24 MAR 88
APPR	MJB DATE 25 MAR 88
APPR	DATE

KINGS
ELECTRONICS CO., INC.
LITCHFIELD, MASS 01027

GSD

879-14-15-MA9