

PLEASE CHECK WWW.MOLEX.COM FOR LATEST PART INFORMATION

Part Number: **0878341411**
Status: **Active**
Overview: C-Grid® Products
Description: 2.54mm Pitch C-Grid® Header, Dual Row, Low Profile, Vertical, Shrouded, Lead-Free, 14 Circuits, Gold (Au) Flash, Beige, PCB Locators, without End Window

Documents:

[3D Model](#) [Packaging Specification PK-87835-001 \(PDF\)](#)
[Drawing \(PDF\)](#) [RoHS Certificate of Compliance \(PDF\)](#)
[Product Specification PS-70246-100-001 \(PDF\)](#)

Agency Certification

UL E29179

General

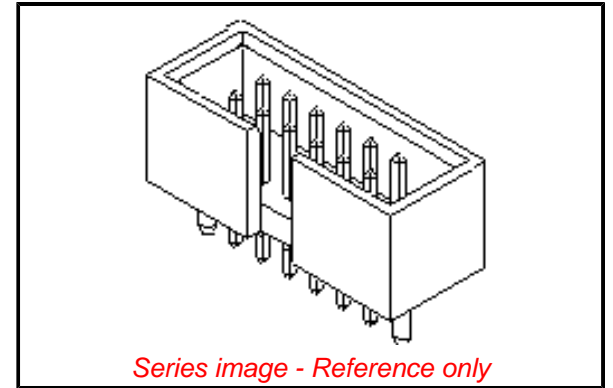
Product Family PCB Headers
Series 87834
Application Signal, Wire-to-Board
Overview [C-Grid® Products](#)
Product Name C-Grid®
UPC 822348274871

Physical

Breakaway No
Circuits (Loaded) 14
Circuits (maximum) 14
Color - Resin Natural
First Mate / Last Break No
Flammability 94V-0
Glow-Wire Compliant No
Guide to Mating Part No
Keying to Mating Part None
Lock to Mating Part None
Material - Plating Mating Gold
Material - Plating Termination Tin
Material - Resin Nylon
Net Weight 2.364/g
Number of Rows 2
Orientation Vertical
PC Tail Length 3.43mm
PCB Locator Yes
PCB Retention Yes
Packaging Type Tray
Pitch - Mating Interface 2.54mm
Pitch - Termination Interface 2.54mm
Plating min - Mating 0.127µm
Plating min - Termination 1.905µm
Polarized to Mating Part Center Slot
Polarized to PCB Yes
Shrouded Fully
Stackable No
Temperature Range - Operating -55°C to +120°C
Termination Interface: Style Through Hole

Electrical

Current - Maximum per Contact 2.5A
Voltage - Maximum 250V DC



EU ELV

Not Relevant

EU RoHS

Compliant

REACH SVHC

Not Contained Per
-ED/01/2017 (12
January 2017)

Halogen-Free

Status

Not Low-Halogen

Need more information on product environmental compliance?

Email productcompliance@molex.com
Please visit the [Contact Us](#) section for any non-product compliance questions.

China ROHS

ELV

RoHS Phthalates

China RoHS

Green Image

Not Relevant

Not Contained

Search Parts in this Series

87834 Series

Mates With

1.27mm Pitch Ribbon Cable Connectors

Solder Process Data

Duration at Max. Process Temperature (seconds)	005
Lead-free Process Capability	WAVE
Max. Cycles at Max. Process Temperature	001
Process Temperature max. C	265

Material Info**Reference - Drawing Numbers**

Packaging Specification	PK-87835-001
Product Specification	PS-70246-100-001
Sales Drawing	SD-87834-024

This document was generated on 08/02/2017

PLEASE CHECK WWW.MOLEX.COM FOR LATEST PART INFORMATION