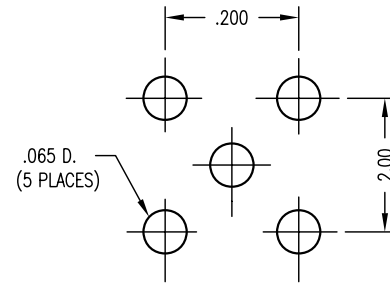
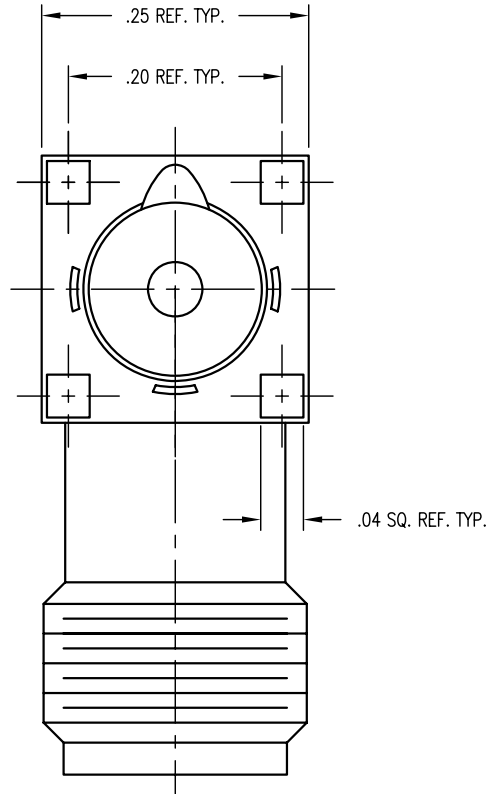
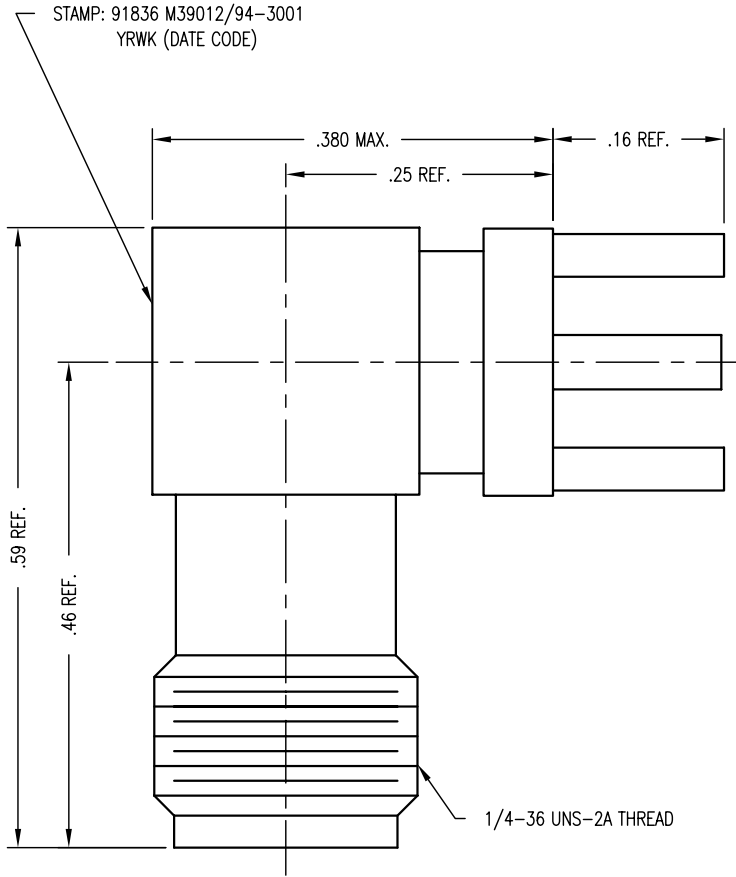


DASH NO.	M CODE	MADE FROM
----------	--------	-----------



MOUNTING HOLES

NOTES:

- INTERFACE PER MIL-STD-348 FIG. 310-2.
- MATERIALS:
INSULATORS: TEFLON, ASTM-D4894
CENTER CONTACT: BER. COP., ASTM-B196
ALL OTHER PARTS: STAINLESS STEEL, SAE-AMS-QQ-S-763
- FINISHES:
ALL METAL PARTS: HARD GOLD PLATE PER ASTM-B488
- ELECTRICAL CHARACTERISTICS:
NOMINAL IMPEDANCE: 50 OHMS
FREQUENCY RATING: DC TO 12.4
VOLTAGE RATING: 1000 VRMS

M39012/94-3001

REVISIONS	
ISSUE	CHANGES
4	CN 32906 E REDRAWN RESTRICTION REMOVED JCA 03/01/91
5	CN 33494 C JCA 10/31/91
6	CN 34192 E KH 10/19/92
7	CN 36001 E ME 01/16/95
8	CN 38473 E TML 01/21/02
9	CN 39474 A DCT 6/13/6
10	CN 39552 C JPK 08/07/06
11	CN 39815 C PMC 2/28/07
N	REVISED PER ER29614 GGR 12/13/10
877-87-1	
CUSTOMER SALES DRAWING	
SCALE 8:1	
APPROX SURFACE AREA	
USED ON	
REF: RCPT, P.C.B., ANG, SMA M39012/94-3001	
DRAWN JCA	03/01/91
DESIGN GA	03/04/91
APPR. DW	10/26/92
KINGS by WINCHESTER	Winchester Electronics 62 Barnes Industrial Road North Wallingford, CT 06492
SD877-87-1	