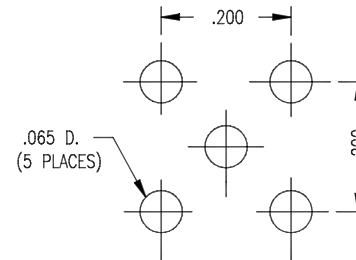
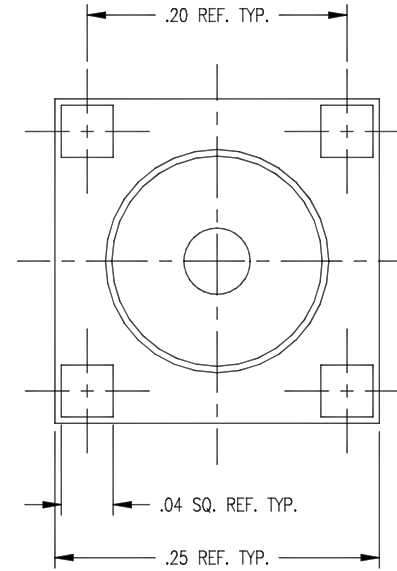
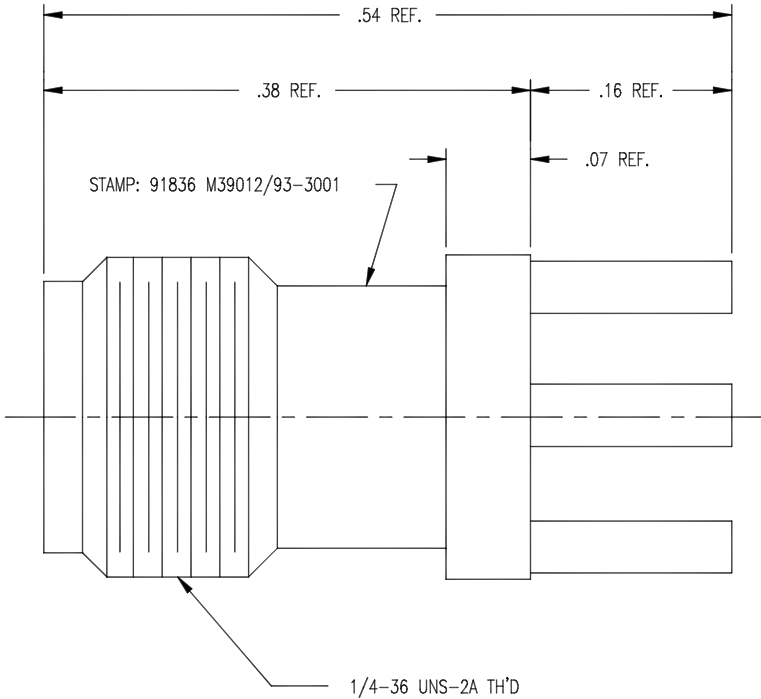


DASH NO.	M CODE	MADE FROM
----------	--------	-----------

GSD

877-86-1



MOUNTING HOLES

GSD

REVISIONS

ISSUE	CHANGES
2	CN 31127 A RESTRICTION REMOVED GA 21 SEP 89
3	CN 32584 A RESTRICTED USAGE GA 10/09/90
4	CN 32906 E REDRAWN RESTRICTION REMOVED JCA 03/01/91
5	CN 34192 E KH 10/15/92
6	CN 35187 D KH 11/29/93
7	CN 36001 E ME 01/16/95
8	CN 38219 C BDH 02/07/01
K	REVISED PER ER19338 GGR 10/14/2009

KAM0117

THIS DRAWING, THE DESIGNS AND IDEAS EMBODIED IN THE DEVICE TO WHICH IT RELATES, AND THE METHOD OF PRODUCING THE DEVICE, ARE THE PROPERTY OF WINCHESTER ELECTRONICS CORPORATION AND SHALL NOT BE EMPLOYED, COPIED, OR DISCLOSED TO ANYONE, IN ANY MANNER WITHOUT THE CONSENT OF WINCHESTER ELECTRONICS CORPORATION.

SCALE 10:1

APPROX SURFACE AREA

WAS: E-13800

USED ON

REF:

RECEPTACLE, P.C.B., SMA
M39012/93-3001

DRAWN KH DATE 10/23/89

DESIGN MJB DATE 11/02/89

APPR. DATE



Winchester Electronics
62 Berms Industrial
Road North
Wallingford, CT 06492

877-86-1

NOTES:

- MARK PACKAGE: 91836 M39012/93-3001
877-86-1 YRWK (DATE CODE)
- INTERFACE PER MIL-STD-348 FIG., 310-2.
- MATERIALS:
INSULATOR-TEFLON, ASTM-D-1457
CENTER CONTACT F-BER. COP., ASTM-B-196
BODY-STAINLESS STEEL, 303
- FINISHES:
ALL METAL PARTS-HARD GOLD PLATE PER MIL-G-45204
- ELECTRICAL CHARACTERISTICS:
NOMINAL IMPEDANCE-50 OHMS
FREQUENCY RANGE-DC TO 18 GHZ

UNLESS OTHERWISE SPECIFIED

- | | | |
|--|---|--|
| 1. TOLERANCES: FRACTIONS & 2 PLACE DECIMALS ± .010
3 PLACE DECIMALS ± .004 ANGLES ± 1°
CONCENTRICITY OF ANY 2 DIAMETERS MAY NOT EXCEED HALF THE SUM OF THEIR TOLERANCES. | 2. REMOVE ALL BURRS, BREAK SHARP EDGES .005 MAX.
3. NO FILLETS PERMITTED.
4. SURFACE ROUGHNESS 63 MICROINCHES RMS MAX.
5. ALL DIMENSIONS PRIOR TO PLATING.
6. ALL PLATING IN ACCORDANCE WITH KER 10004. | 7. ALL LEAD THREADS TO BE CHAMFERED 45° TO ROOT DIAMETER.
○ CRITICAL DIMENSIONS |
|--|---|--|