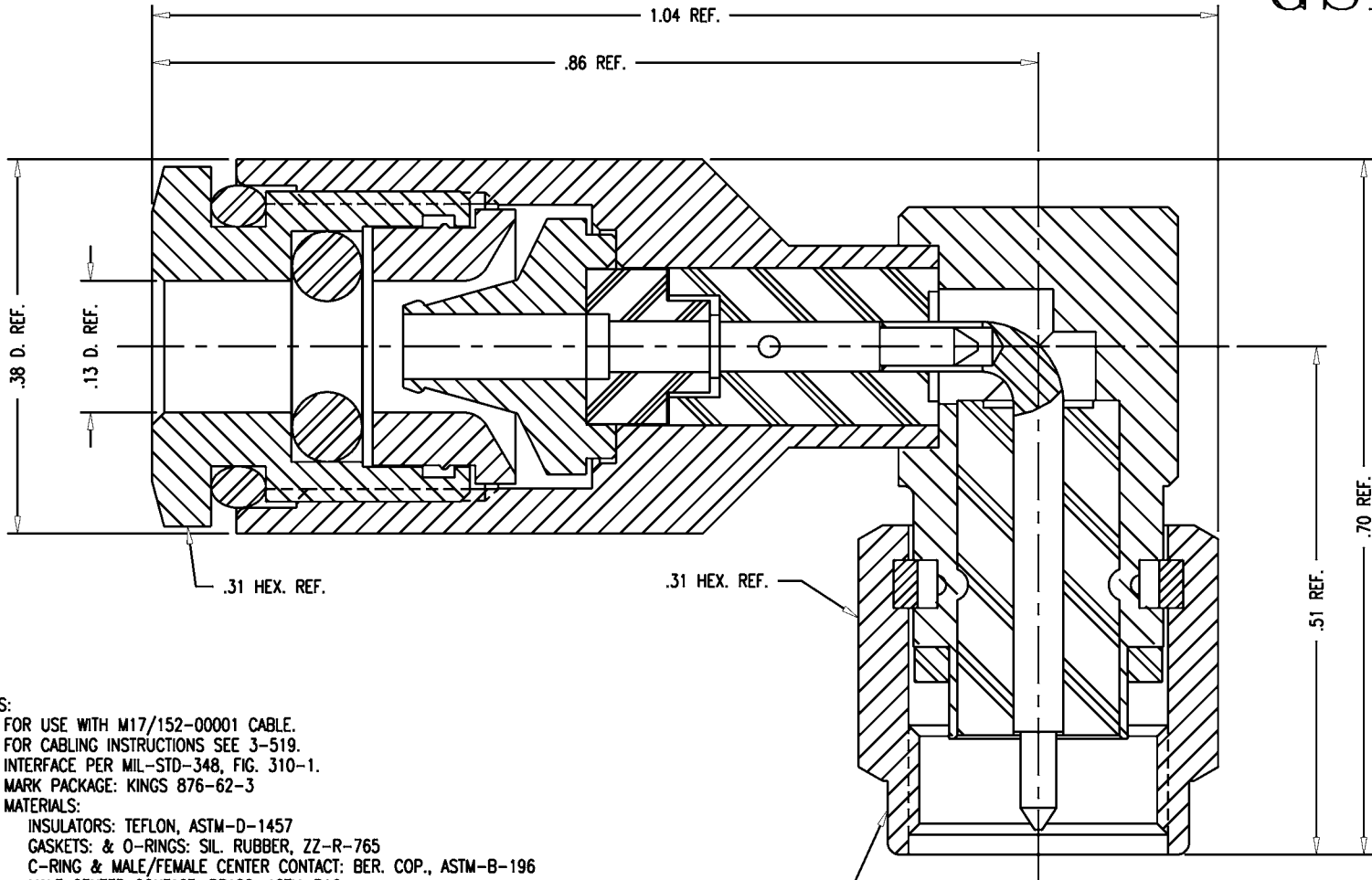


GSD



M39012/56-3130

REVISIONS	
ISSUE	CHANGES
0	ER 34285 KH 11/20/92
1	CN 35318 C KH 02/08/94

DET1139

- NOTES:
- FOR USE WITH M17/152-00001 CABLE.
 - FOR CABLING INSTRUCTIONS SEE 3-519.
 - INTERFACE PER MIL-STD-348, FIG. 310-1.
 - MARK PACKAGE: KINGS 876-62-3
 - MATERIALS:
INSULATORS: TEFLON, ASTM-D-1457
GASKETS: & O-RINGS: SIL. RUBBER, ZZ-R-765
C-RING & MALE/FEMALE CENTER CONTACT: BER. COP., ASTM-B-196
MALE CENTER CONTACT: BRASS, ASTM-B16
ALL OTHER METAL PARTS: ST. STEEL, 303
 - FINISHES:
CENTER CONTACTS: HARD GOLD PLATE PER MIL-G-45204
ALL OTHER METAL PARTS: PASSIVATED PER QQ-P-35
 - ELECTRICAL CHARACTERISTICS:
NOMINAL IMPEDANCE: 50 OHMS
VOLTAGE RATING: 250 VOLTS RMS
FREQUENCY RANGE: DC TO 12.4GHz

STAMP: 91836 M39012/56-3130 XX XX
DATE CODE

SCALE 8:1	
APPROX SURFACE AREA 876-62-3	
USED ON	
REF:	
PLUG, SMA, ANGLE, W/P TAPER GRIP	
DRAWN MJB	DATE 10/01/92
DESIGN GA	DATE 04/27/93
APPR.	DATE
 TUCKAHOE, NEW YORK 10707	
M39012/56-3130	

GSD