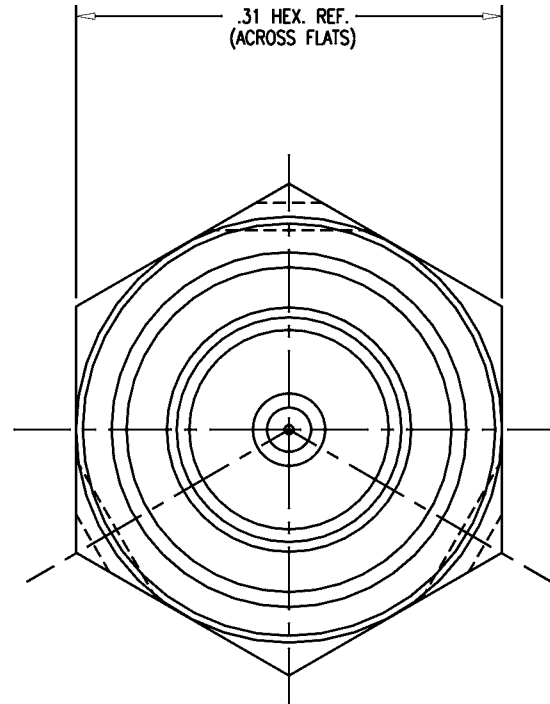
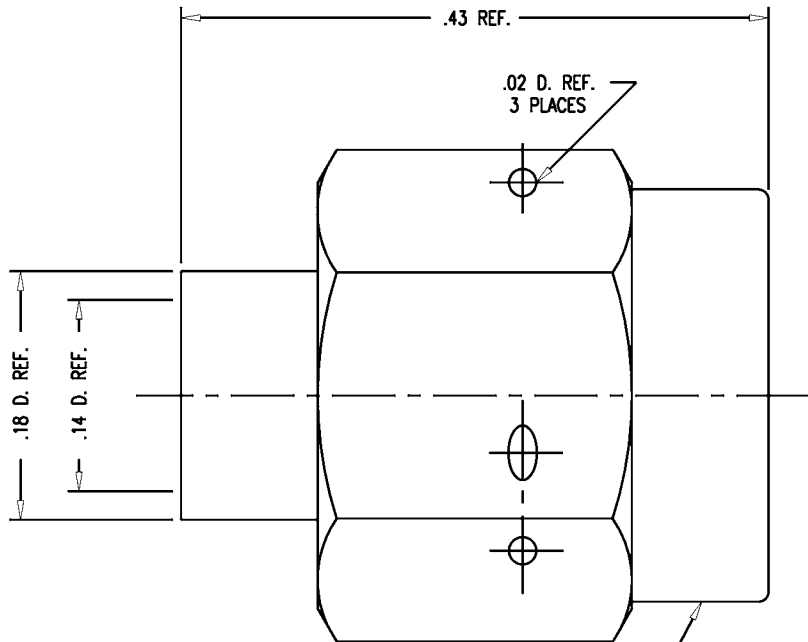


DASH NO.	M CODE	MADE FROM
----------	--------	-----------

GSD



STAMP: 91836 M39012/79-3008
YRWK (DATE CODE)

NOTES:

- FOR USE WITH RG-402/U (.141 S.R.) CABLE.
- FOR CABLING INSTRUCTIONS SEE 3-482.
- FOR CABLE TRIMMING USE KTO-2.
- INTERFACE PER MIL-STD-348, FIG. 310-1.
- MATERIALS:
INSULATOR: TEFLON, ASTM-D-1457
GASKET: SILICONE RUBBER, ZZ-R-765
C-RING & CONTACT: BERYLLIUM COPPER, ASTM-B-196
ALL OTHER METAL PARTS: STAINLESS STEEL, 303
- FINISHES:
BODY & CONTACT: GOLD PLATE PER MIL-G-45204
COUPLING NUT: PASSIVATE PER QQ-P-35
- ELECTRICAL CHARACTERISTICS:
NOMINAL IMPEDANCE: 50 OHMS
FREQUENCY RANGE: DC TO 18GHz.
WORKING VOLTAGE: 500 VRMS

M39012/79-3008

REVISIONS	
ISSUE	CHANGES
1	CN 32668 E RESTRICTED USAGE REDRAWN JCA 11/08/90
2	CN 32741 C JCA 12/14/90
3	CN 32897 E RESTRICTION REMOVED JCA 02/21/91
4	CN 34221 D KH 03/20/95
5	CN 38955 E JLA 10/17/03

875-70-17 JCA1080

SCALE	10:1		
APPROX SURFACE AREA			
WAS:	E-14123		
USED ON			
REF:			
PLUG, SMA			
DRAWN	JCA	DATE	11/08/90
DESIGN	GA	DATE	11/08/90
APPR.		DATE	

KINGS
ELECTRONICS CO., INC.
TUCKAHOE, NEW YORK 10707

M39012/79-3008

GSD