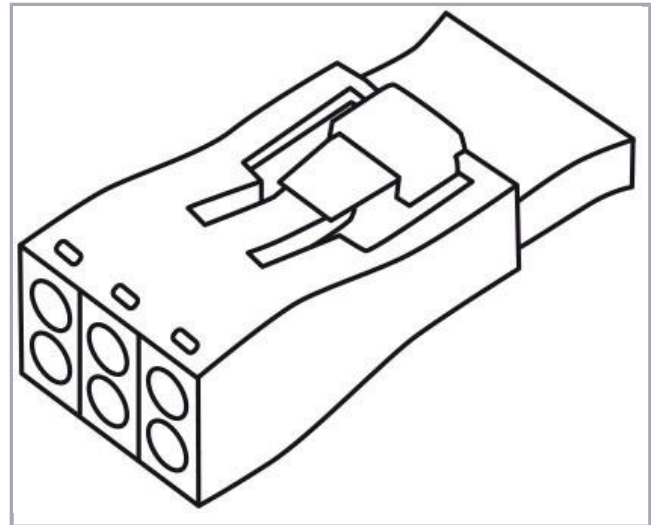
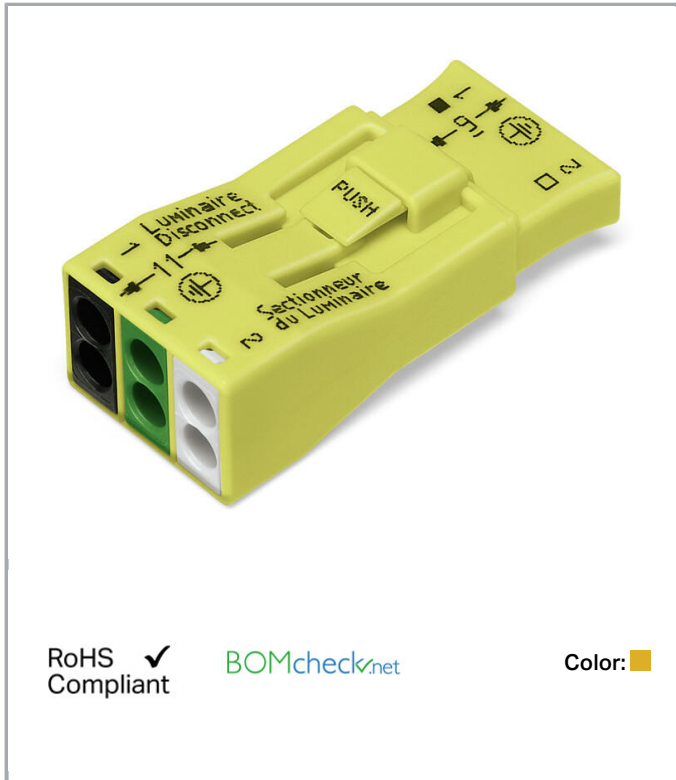


## Data sheet | Item number: 873-953

Luminaire disconnect connector; 3-pole; 4,00 mm<sup>2</sup>; yellow

[www.wago.com/873-953](http://www.wago.com/873-953)



### Data

#### Electrical data

#### Ratings per IEC/EN 60664-1

Rated voltage (II / 2)	400 V
Rated impulse voltage (II / 2)	4 kV
Rated current	6 A
Ratings according to 2	EN 61984

#### Connection data

Connection type (1)	Plug
Connection technology	PUSH WIRE®
Actuation type	Push-in

Subject to changes.

WAGO Kontakttechnik GmbH & Co. KG  
Hansastr. 27  
32423 Minden  
Phone: +49571 887-0 | Fax: +49571 887-169  
Email: [info.de@wago.com](mailto:info.de@wago.com) | Web: [www.wago.com](http://www.wago.com)

Do you have any questions about our products?  
We are always happy to take your call at +49 (571) 887-44222.



Connectable conductor materials	Copper
Solid conductor	0.75 ... 4 mm <sup>2</sup> / 18 ... 12 AWG
Stranded conductor	1.5 ... 2.5 mm <sup>2</sup> / 16 ... 12 AWG
Strip length	11 ... 13 mm / 0.43 ... 0.51 inch
No. of poles	3
Connection type (2)	Socket
Solid conductor (2)	0.75 mm <sup>2</sup> / 18 AWG
Strip length (2)	9 ... 11 mm / 0.35 ... 0.43 inch
Total number of connection points	9
Total number of potentials	3

### Geometrical Data

Width	19 mm / 0.748 inch
Height	13.2 mm / 0.52 inch
Depth	42 mm / 1.654 inch

### Material Data

Color	yellow
Fire load	0.144 MJ
Weight	7 g

### Commercial data

Product Group	8 (Misc. Chassis Mount Blocks)
Packaging type	bag
Country of origin	CN
GTIN	4050821857952
Customs Tariff No.	85366990990

### Approvals / Certificates

#### Country specific Approvals

Logo	Approval	Additional Approval Text	Certificate name
	CCA DEKRA Certification B.V.	EN 61984	NTR NL-7390
	CCA DEKRA Certification B.V.	EN 61984	2178521.01

Subject to changes.



<b>CCA</b> DEKRA Certification B.V.	EN 60998	2178521.02
--	----------	------------




<b>CCA</b> DEKRA Certification B.V.	EN 60998	NTR NL-7391
--	----------	-------------



<b>CSA</b> DEKRA Certification B.V.	C22.2 No. 182.3	154112 (LR 18677)
--	-----------------	-------------------

**UL-Approvals**

Logo	Approval	Additional Approval Text	Certificate name
	<b>UL</b> UL International Germany GmbH	UL 2459	E313353

**Downloads**

**Documentation**

**Bid Text**

873-953 X81 - Datei	Feb 19, 2019	xml 3.2 kB	Download
873-953 docx - Datei	Feb 21, 2019	docx 15.4 kB	Download
<b>Additional Information</b> Technical explanations	Apr 3, 2019	pdf 2.1 MB	Download

**CAD/CAE-Data**

**CAD data**

Subject to changes.

WAGO Kontakttechnik GmbH & Co. KG  
 Hansastr. 27  
 32423 Minden  
 Phone: +49571 887-0 | Fax: +49571 887-169  
 Email: [info.de@wago.com](mailto:info.de@wago.com) | Web: [www.wago.com](http://www.wago.com)

Do you have any questions about our products?  
 We are always happy to take your call at +49 (571) 887-44222.



[URL](#)

[Download](#)

2D/3D Models 873-953

---

## Installation Notes

Subject to changes.

---

WAGO Kontakttechnik GmbH & Co. KG  
Hansastr. 27  
32423 Minden  
Phone: +49571 887-0 | Fax: +49571 887-169  
Email: [info.de@wago.com](mailto:info.de@wago.com) | Web: [www.wago.com](http://www.wago.com)

Do you have any questions about our products?  
We are always happy to take your call at +49 (571) 887-44222.