

Front panel interface

- IP65
- contains cover, frame, seals, fixings and designation tags

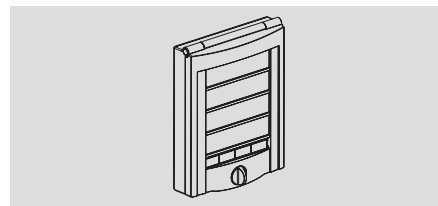
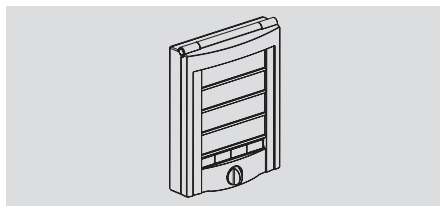
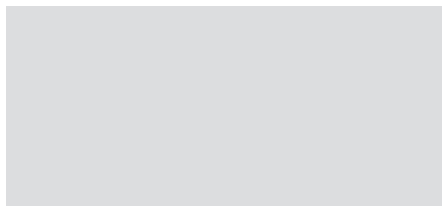
FrontCom® GH Key

lockable



FrontCom® GH Knob

lockable



Technical data

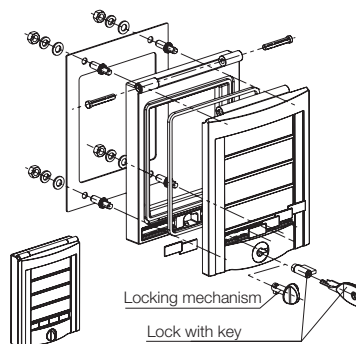
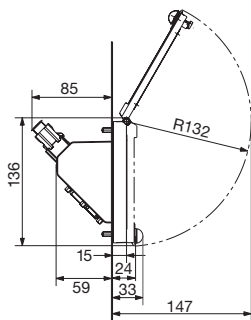
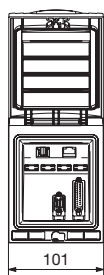
Version		lockable housing		Lockable housing
Material		PPE		PPE
UL 94 flammability class		V-0		V-0
Colour		RAL 7004		RAL 7004
Resistance to shocks		2 years to DIN EN 50102		2 years to DIN EN 50102
Threaded bolts / screws		M5 / V2A		M5 / V2A
Durability		UV; Fuel; Oil		UV; Fuel; Oil
Ingress Protection Class		IP65 according to DIN EN 50102		IP65 according to DIN EN 50102
Pollution severity		3		3
Storage temperature		-20 °C...+80 °C		-20 °C...+80 °C

Length x width x height	mm	33 x 101 x 136	33 x 101 x 136
Note		with 2 keys	with lock

Ordering data

Type	Qty.	Order No.	Type	Qty.	Order No.
FRONTCOM GH KEY	1	1879200000	FRONTCOM GH KNOB	1	1879210000
Note	Designation tags ESG8/17 1720610000 Felt pen STI-S 0508401694		Designation tags ESG8/17 1720610000 Felt pen STI-S 0508401694		

Application



Front panel interface

Front panel interface

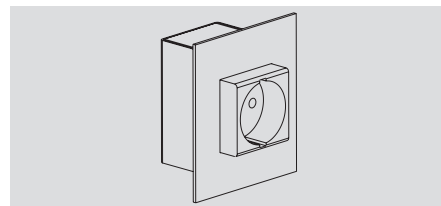
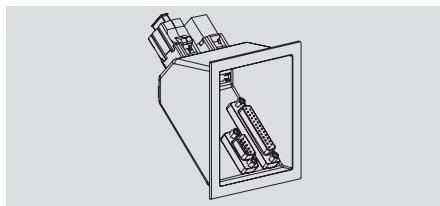
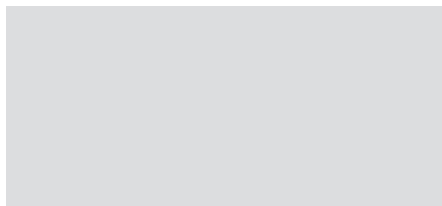
- IP65

FrontCom® AR Data

RJ45, USB, SUB D 9+25 pole

FrontCom® AR Plug

Adapter for 230 V earthed plug



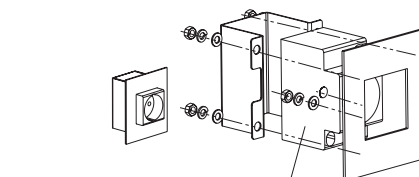
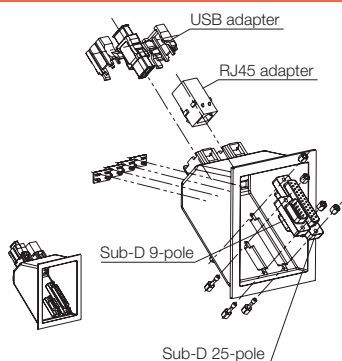
Technical data

Version		Combination of 4 integral data interfaces, wired 1:1	Frame as receptacle for earthed power socket
Material		PPE	Stainless steel
UL 94 flammability class		V-0	
Colour		RAL 7004	
Storage temperature		-20 °C...+80 °C	
Interfaces		USB: type A, socket-socket, lockable when memory stick plugged in	
		RJ45: socket-socket, Cat.5 up to 100 MHz	
		SUB-D 9-pole: socket-plug	
		SUB-D 25-pole: socket-plug	
Length x width x height	mm	85 x 101 x 136	59 x 101 x 136
Note			

Ordering data

Type	Qty.	Order No.	Type	Qty.	Order No.
FRONTCOM AR DATA	1	1879220000	FRONTCOM AR PLUG	1	1879230000
Note		Designation tags ESG8/17 1720610000 Felt pen STI-S 0508401694			Earthed power socket 8734580000

Application



Earthed power socket TS 35:
Part No. 8734580000 not included

View of rear
Earthing screw must be connected!

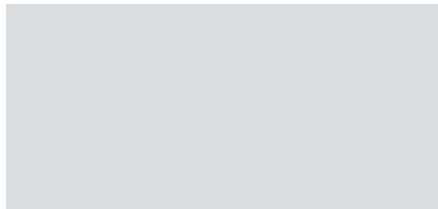
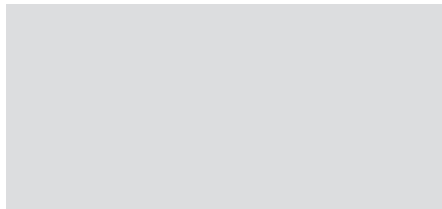
Tightening torque
for screws: 1.5 Nm

Front panel interface

- IP65

FrontCom® AR

Universal



Technical data

Version
Material
UL 94 flammability class
Colour

Universal plate without cut-outs
Aluminium
V-0

Length x width x height mm

2.5 x 101 x 136

Note

Ordering data

Type	Qty.	Order No.
FRONTCOM AR	1	1879240000

Note

Application

