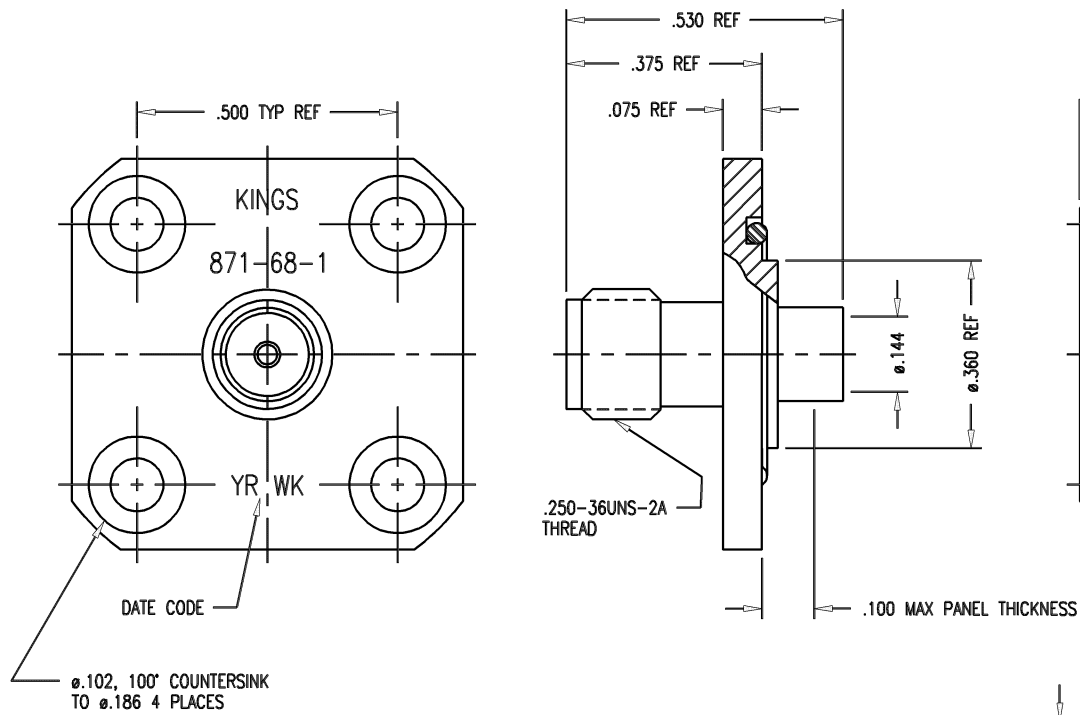


SD

871-68-1

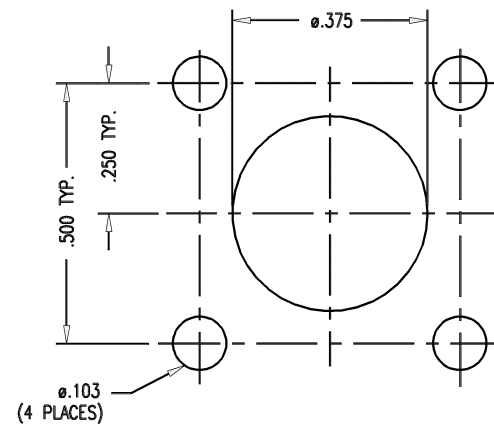
REVISIONS

ISSUE	CHANGES
0	ER 37320 PB 18 MAR 97
1	CN 37531 B KH 01/20/98



NOTES:

- FOR USE WITH M17/130-00004 CABLE.
- FOR CABLE INSTRUCTIONS SEE 3-652.
- INTERFACE PER MIL-STD-348, FIGURE 310.2.
- MATERIALS:
INSULATOR: TEFLON, ASTM D 4894
O-RING: SILICONE RUBBER, ZZ-R-765
CENTER CONTACT: BERYLLIUM COPPER, ASTM B 196
BODY: STAINLESS STEEL, ASTM A 582
- FINISH:
BODY AND CONTACT: GOLD PLATE PER MIL-G-45204
- ELECTRICAL CHARACTERISTICS:
NOMINAL IMPEDANCE: 50 OHMS
FREQUENCY RANGE: DC TO 13 GHz



MOUNTING HOLE DIMENSION

SD

871681S1

SCALE 4:1

APPROX SURFACE AREA

E-19474-11

USED ON

REF: BOEING SK909-13048

JACK, PANEL, SMA

DRAWN P. BRENZEL DATE 18 MAR 97

DESIGN P. BRENZEL DATE 18 MAR 97

APPR. VLS DATE 10 JUN 97

KINGS
ELECTRONICS CO., INC.
TUCKAHOE, NEW YORK 10707

871-68-1