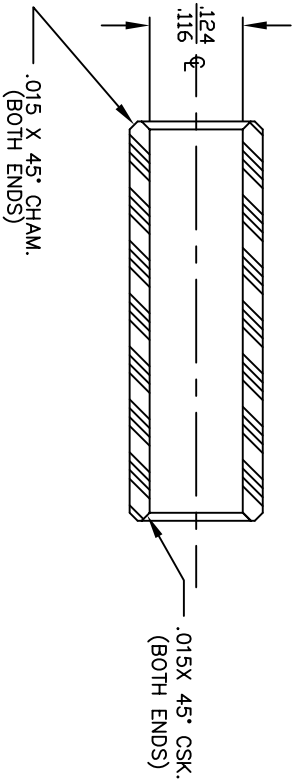
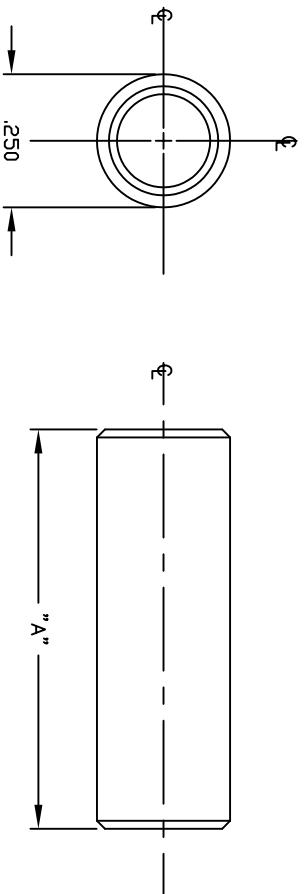


REVISIONS		REVISED BY	DATE	APPR
SYM	DESCRIPTION			



SPACERS	PART NO.	DIM "A"
	8700	.125
	8703	.187
	2340	.250
	8706	.312
	2341	.375
	8709	.437
	2342	.500
	8712	.562
	8715	.625
	8718	.687
	2343	.750
	8721	.812
	8724	.875
	8727	.937
	2344	1.000



MATERIAL BRASS 360 1/2 HARD		FINISH NICKEL	
DIMENSIONAL TOLERANCES UNLESS OTHERWISE SPECIFIED		TITLE BRASS ROUND 1/4" SPACERS #4 CLEARANCE	
XX	XXX	XXXX	
FRACTIONS	ANGLES	SCALE	
---	---	NONE	
HEAT TREAT	---		
PLDT SCALE	1=1		
DRAWN: T. LORD	DATE 02/10/03	SIZE	DRAWING NUMBER
CHECKED: T. LORD	DATE 02/10/03	B	SD: SMP-00415
APPROVED: T. LORD	DATE 02/10/03		ISSUE A

ABBATRON
 Electronic Connectors and Hardware
 632 Arch Street, Meadville, Pa. 16335