

SIZE	Part Num.	Threading
25	8655MHRA2501	UNC 4.40

NOTES:

Material and finish: Zinc die-cast nickel plated

Cable strain relief: Steel fibre reinforced Polycarbonate (UL94V-0) for EMI/RFI screening

Jackscrew: black UNC 4.40

Temperature range: -40°C to 120°C

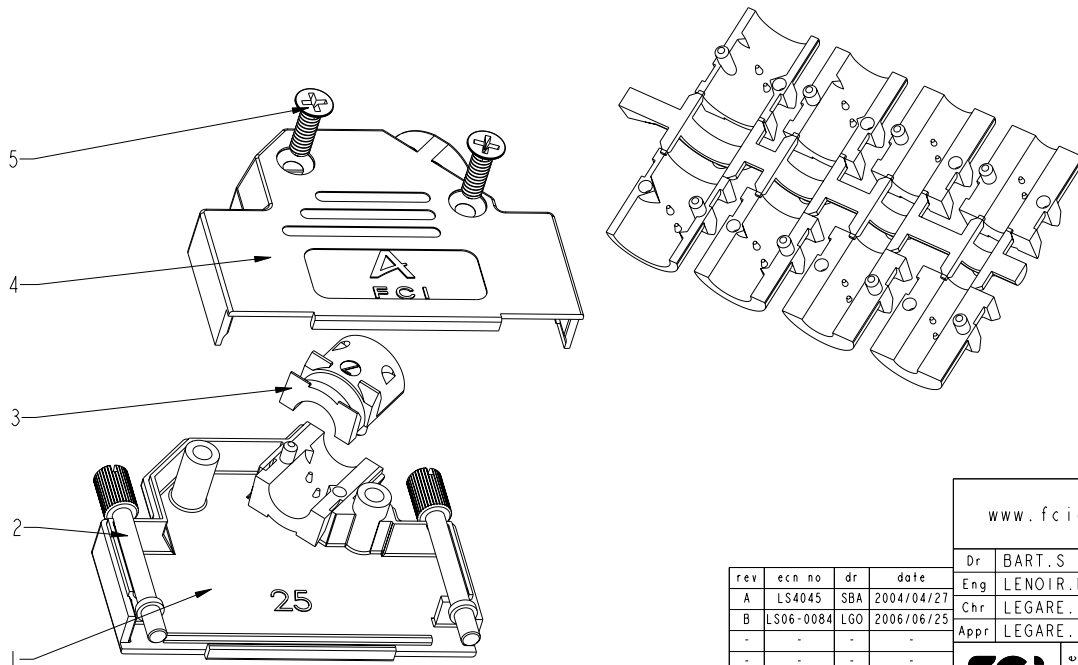
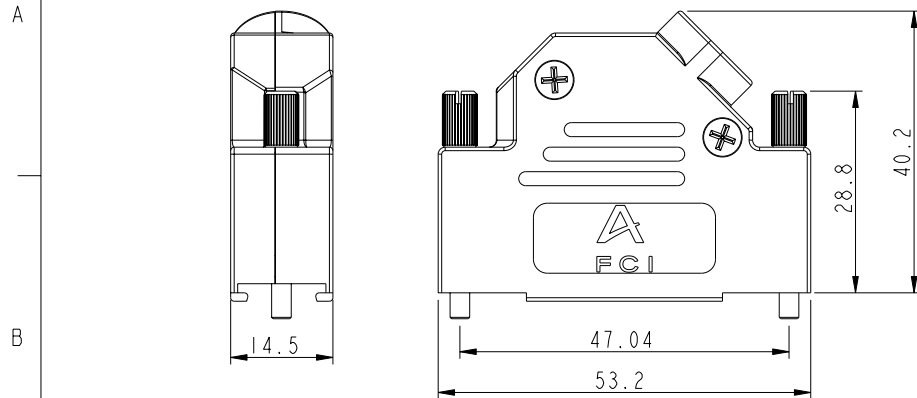
Cable diameter: 4,0 to 13,0mm

Attenuation factor: >40 dB between 30MHz and 1 GHz

Packaging: Bulk, in box of 100 P/N

Covers screwing force (max): 100Ncm

Jackscrew screwing force (max): 75 Ncm



DESIGNATION	REP.	09	15	25	37
COVER BOTTOM	1			1	
JACKSCREW	2	1		2	
STRAIN RELIEF	3			2	
COVER TOP	4			1	
SCREW POZIDRIVE	5			2	

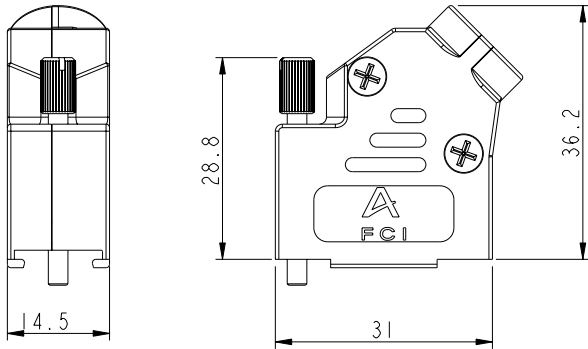
Copyright FCI

www.fciconnect.com		surface ISO 1302	tolerance std ISO 406 ISO 1101	projection ISO 406 ISO 1101	mm
		TOLERANCES UNLESS OTHERWISE SPECIFIED			
Dr	BART.S	2004.04.08	ANGULAR	0.X ±0.3	size A3
Eng	LENOIR.M	2004.04.08	LINEAR	0.XX ±0.1	Scale 3:2
Chr	LEGARE.P	2004.04.08	0° ±2°	0.XXX ±0.05	ECN LS06-0084
Appr	LEGARE.P	2004.04.08	Product family	D-SUB	Spec ref
FCI		title D-SUB METAL SHELLS		dwg no 10039956C	Rev. B
		ANGLED			
		catalog no			sheet 1 of 3

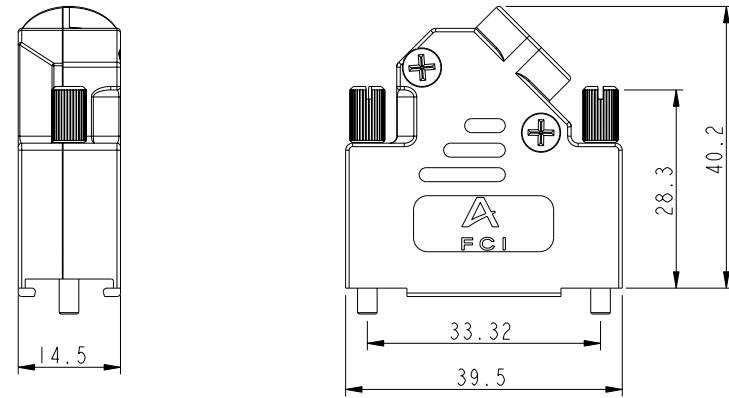
rev	ecn no	dr	date
A	LS4045	SBA	2004/04/27
B	LS06-0084	LGO	2006/06/25
-	-	-	-
-	-	-	-
-	-	-	-
-	-	-	-

REV F - 2006-04-17

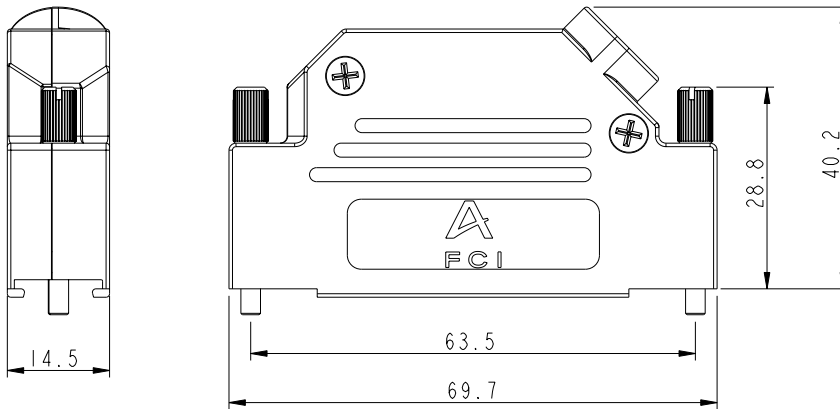
SIZE	Part Num.	Threading
09	8655MHRA0901	UNC 4.40



SIZE	Part Num.	Threading
15	8655MHRA1501	UNC 4.40



SIZE	Part Num.	Threading
37	8655MHRA3701	UNC 4.40



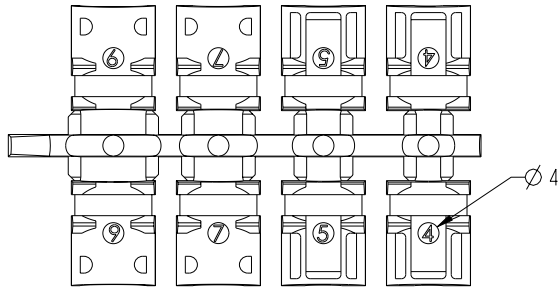
Copyright FCI.

www.fciconnect.com			surface - <input checked="" type="checkbox"/>	tolerance std	projection	mm
			ISO 1302	ISO 406 ISO 1101		
			TOLERANCES UNLESS OTHERWISE SPECIFIED			
Dr	BART.S	2004.04.08	ANGULAR	0.X	±0.3	size A3
Eng	LENOIR.M	2004.04.08	LINEAR	0.XX	±0.1	Scale 3:2
Chr	LEGARE.P	2004.04.08	0° ±2°	0.XXX	±0.05	ECN LS06-0084
Appr	LEGARE.P	2004.04.08	Product family		D-SUB	Spec ref
			title D-SUB METAL SHELLS			dwg no 10039956C
			ANGLED			Rev. B
			catalog no -			sheet 2 of 3

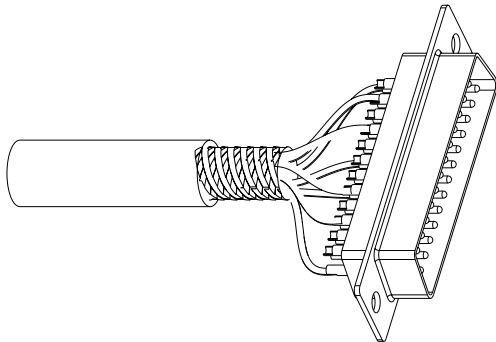
REV F - 2006-04-17

CABLING INSTRUCTIONS

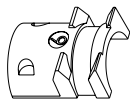
1- Use two halves of strain relief, different sizes can be mixed (Ø4,5,7 or 9)



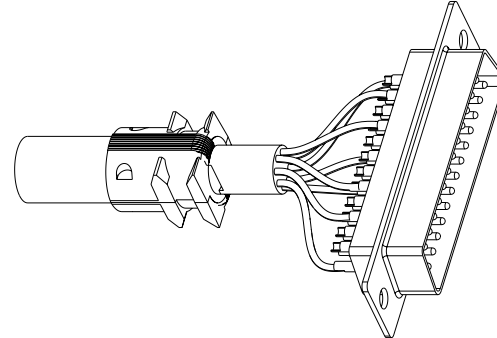
2- Strip cable 18mm and shape to two pigtails



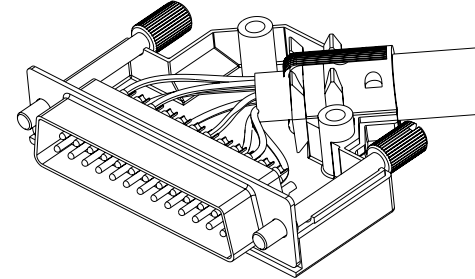
3- Attach the strain relief around the cable



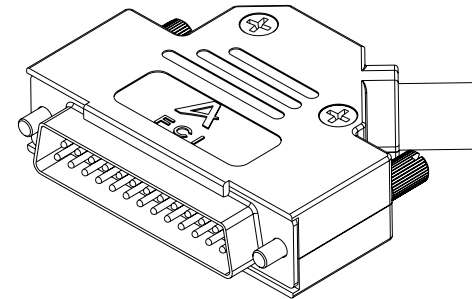
4- Bend cable shielding back on outside of strain relief



5- Mount connector and cable into the backshell



6- Assemble the other half screwing force: 100 Ncm



Copyright FCJ.

www.fcjconnect.com			surface -	tolerance std	projection	mm
			ISO 1302	ISO 406 ISO 1101		
			TOLERANCES UNLESS OTHERWISE SPECIFIED			
Dr	BART.S	2004.04.08	ANGULAR	0.X	±0.3	size A3
Eng	LENOIR.M	2004.04.08	LINEAR	0.XX	±0.1	Scale 3:2
Chr	LEGARE.P	2004.04.08	0° ±2°	0.XXX	±0.05	ECN LS06-0084
Appr	LEGARE.P	2004.04.08	Product family	D-SUB		Spec ref
			title D-SUB METAL SHELLS		dwg no	10039956C
			ANGLED		Rev.	B
			catalog no		sheet 3 of 3	

REV F - 2006-04-17