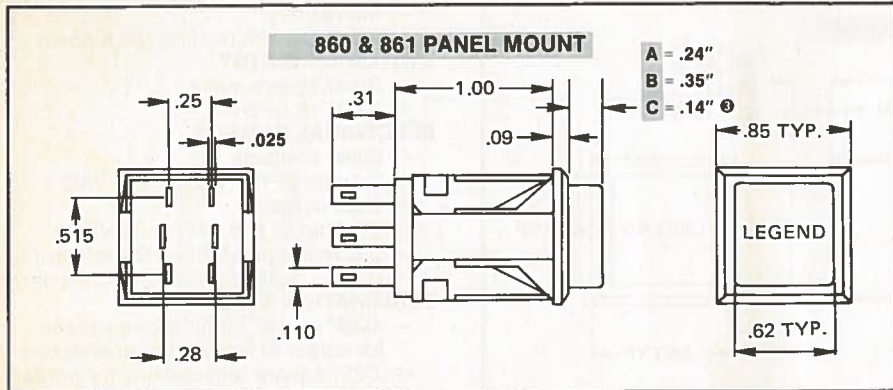
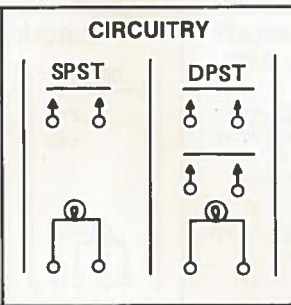
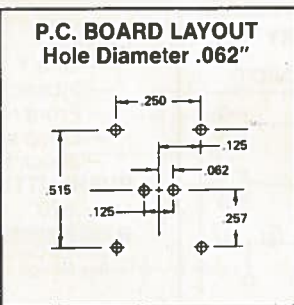
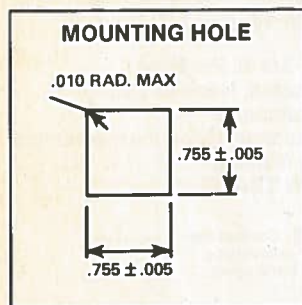
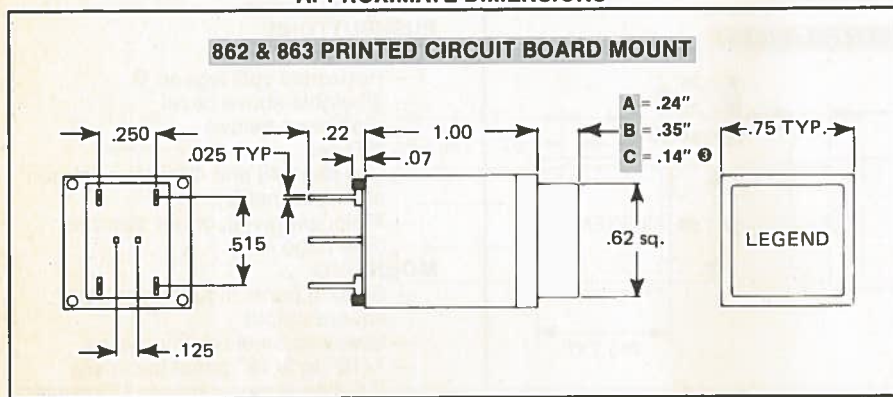


<b>860</b> SERIES	NON ILLUMINATED PANEL MOUNT	<b>861</b> SERIES	ILLUMINATED PANEL MOUNT	<b>862</b> SERIES	NON ILLUMINATED PRINTED CIRCUIT BOARD MOUNT	<b>863</b> SERIES	ILLUMINATED PRINTED CIRCUIT BOARD MOUNT
----------------------	--------------------------------------	----------------------	-------------------------------	----------------------	--	----------------------	---



APPROXIMATE DIMENSIONS



### SPECIFICATIONS

#### ACTION

- Momentary
- Alternate with positive latch down

#### SWITCH CIRCUITRY

- Double break
- SPST or DPST, normally open

#### ELECTRICAL RATINGS

- Silver contacts  
6 Amps @ 125 VAC or  
3 Amps @ 250 VAC
- Gold contacts  
.25 Amp @ 125 VAC or 30 VDC
- U.L. Recognized (Silver Switches only)
- C.S.A. Certified (Silver Switches only)

#### TERMINATION TYPES

- .025" x .110" terminations suitable for solder or female 110 connectors
- .025" square terminations for printed circuit board mount
- Epoxy sealed

#### PUSHBUTTONS

- 5/8" SQUARE
- Horizontal split legend (Indicator only) ①
- 3 Heights above bezel: (See chart below)
- 5 Styles
- See page 48 and 49 for pushbutton style information
- Plain, engraved or hot stamped (See page 49)

#### MOUNTING

- Snap in panel mounting in .755" square cutout
- Stainless Steel retaining clips
- 1/16" to 3/16" panel thickness
- P.C. board mounting on .755" centers
- Barrier mount available (See page 48)

#### LAMPS

- One T 1-3/4 Bi Pin Base
- Incandescent, Neon or LED
- Front relampable
- Lamp stationary to reduce mechanical shock to filament

#### PUSHBUTTON TYPE

- .220"

① Series 838/858 — Contact the Service Center nearest you. See listings on back cover.

### ORDERING INFORMATION

CHOOSE ONE OPTION FROM EACH COLUMN. DO NOT USE DASHES (-) IN PART NUMBER.

Switch Series	Product Type	Action	No. of Poles	Contact Mat'ls	Terminations	Mounting	Pushbutton Style	Color	Height	Lamp
860 or 861 (Panel Mount) or 862 or 863 (P.C. Board Mount)	K Switch	1 Mom 2 Alt	1 SPST 3 DPST	8 Silver 9 Gold 6 DPST: top pole silver bottom pole gold	1 Solder 2 P.C. Board	0 No Barriers 1 Vertical Barriers 2 Horizontal Barriers	T Translucent M Matte F Filtered C Clear D Deadfront	00 Orange 01 White 02 Red 03 Green 04 Yellow 05 Blue 12 Lunar White 15 Clear 21 Black ②	A .24" B .35" C .14" ③	Use two digit item number from pages 51 & 52 Chart IV, XII
Matching Indicator	Product Type	Terminations			Mounting					
845 (Panel Mount) or 842 (P.C. Board Mount)	L Indicator	1 Solder 2 P.C. Board			0 No Barriers 1 Vertical Barriers 2 Horizontal Barriers		(see page 48 and 49)			

② Black not to be used with lighted display.

③ This cap not to be used with lighted display. Available only on "M" style.

### EXAMPLES:

#### 860K11812T05A

DESCRIBES: Series 860 Switch, Panel Mount, Momentary Action SPST, Momentary, SPST, Silver Contacts, Solder Terminals, Horizontal Barriers, Style T Translucent Pushbutton, Blue, .24" Above Panel Pushbutton Height (No Lamp).

#### 845L12T05A14

DESCRIBES: Series 845 Indicator Light, Panel Mount, Solder Terminations, Horizontal Barriers, Style T Translucent Pushbutton, Blue, .24" Above Panel Pushbutton Height, With ASA No. 7876, 28 Volt Incandescent Lamp Installed.