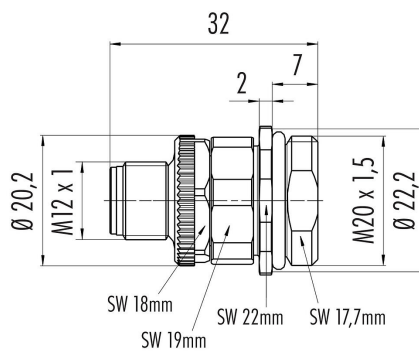


Product description	M12-A male panel mount connector, Contacts: 5, unshielded, screw clamp, IP67, UL, VDE, M20x1.5
Area	M12-A series 763
Order number	86 0431 0003 00005

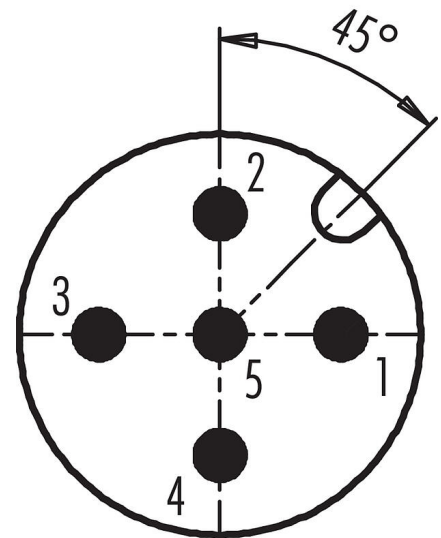
Illustration



Scale drawing



Contact arrangement (Plug-in side)



You can find the assembly instructions on the next page.

Technical data

General features

Order number	86 0431 0003 00005
Notice	Please note that, due to the change from the old to the new order number, there may be deviations in the technical specifications. For questions about product details, please use the 'Contact Customer Service' form on the right.
Connector design	male panel mount connector
Version	connector male straight
Connector locking system	screw
Termination	screw clamp
Degree of protection	IP67
Cross-sectional area	0.75 mm ² / AWG 18
Temperature range from/to	-40 °C / 85 °C
Mechanical operation	> 100 Mating cycles
Weight (g)	25.63
Customs tariff number	85369010

Product description	M12-A male panel mount connector, Contacts: 5, unshielded, screw clamp, IP67, UL, VDE, M20x1.5
Area	M12-A series 763
Order number	86 0431 0003 00005

Electrical parameters

Rated voltage	60 V
Rated impulse voltage	1500 V
Rated current (40 °C)	contacts 1-4: 8 A / contact 5: 2 A
Insulation resistance	> 10 ⁸ Ω
Pollution degree	3
Overvoltage category	II
Insulating material group	III
EMC compliance	unshielded

Material

Housing material	Zinc die-cast nickel-plated
Contact body material	PA black
Contact material	CuZn (brass)
Contact plating	Au (gold)
REACH SVHC	CAS 7439-92-1 (Lead)

Authorization/approvals

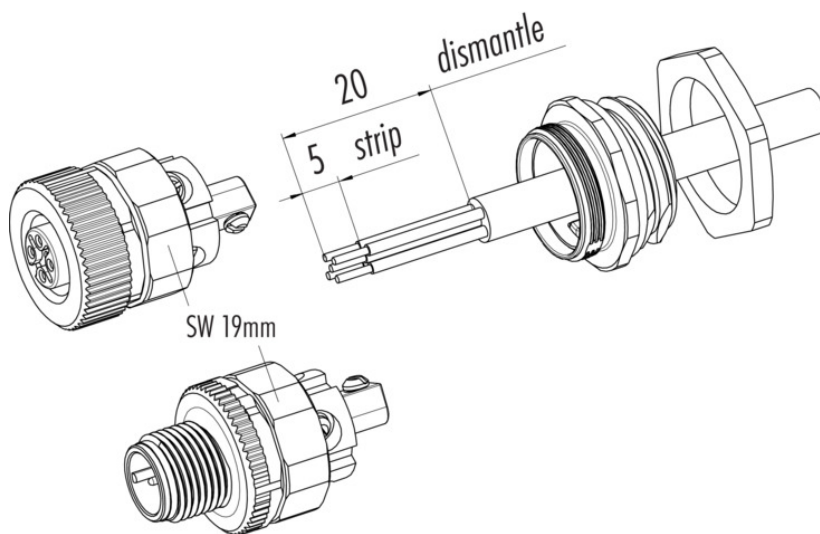
Approvals	UL, VDE
-----------	---------

Classifications

eCl@ss 11.1	27-44-01-09
ETIM 7.0	EC003569

Product description	M12-A male panel mount connector, Contacts: 5, unshielded, screw clamp, IP67, UL, VDE, M20x1.5
Area	M12-A series 763
Order number	86 0431 0003 00005

Assembly instructions



Wire cross section
max. 1,5 mm² 4, 5 contacts

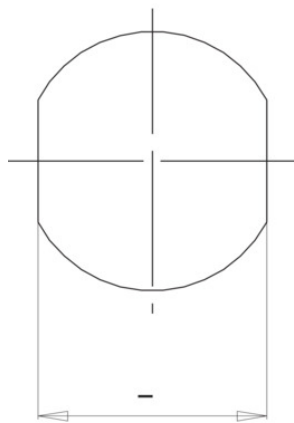
Contact insert
4 x 90° adjustable

Tightening torque
SW 19 nut = 5 Nm M18 x 0,75
M20 x 1,5 = 5 Nm

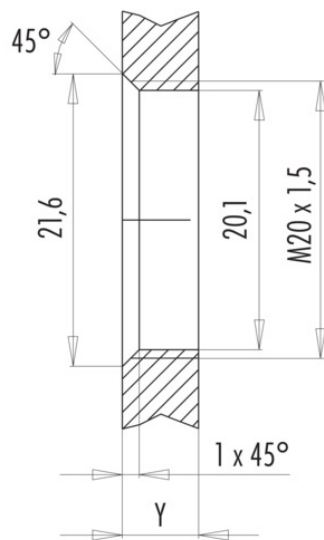
Product description	M12-A male panel mount connector, Contacts: 5, unshielded, screw clamp, IP67, UL, VDE, M20x1.5
Area	M12-A series 763
Order number	86 0431 0003 00005

Assembly instructions / Panel cut-out

With flats as anti-rotation device



With bore hole



Installation direction: o-ring sits on chamfer.

Tightening moment

Metall housing/Plastic housing 1,25 Nm

Thickness of wall Y (mm)		
Version	min (mm)	max (mm)
Fastened from rear	2	3,5
Front fastened	2	4,5
positioning possible ¹⁾	2	3,5
Screw clamp	2	3,5
Thread M12 x 1	2	3,0
Thread M14 x 1 ²⁾	³⁾ 1,5/ ⁴⁾ 2	6,5

Notes

- ¹⁾ Do not attach a chamfer
- ²⁾ Wall thickness:
use locknut 01-5385 up to 1,5 mm,
>1,5 mm cut thread
- ³⁾ Nut
- ⁴⁾ Thread in wall of housing

Product description	M12-A male panel mount connector, Contacts: 5, unshielded, screw clamp, IP67, UL, VDE, M20x1.5
Area	M12-A series 763
Order number	86 0431 0003 00005

Security notices

The connector must not be plugged or unplugged under load. Non-observance and improper use can result in personal injury.

The connectors have been developed for applications in plant engineering, control and electrical equipment construction. The user is responsible for checking whether the connectors can also be used in other areas of application.

Plug connectors with enclosure protection IP 67 and IP 68 are not suitable for use under water. When used outdoors, the plug connectors must be protected separately against corrosion. For further information on the IP protection classes, please refer to the "Technical Information" download centre.