

**PLEASE CHECK WWW.MOLEX.COM FOR LATEST PART INFORMATION**

**Part Number:** [0859993255](#)  
**Status:** **Active**  
**Overview:** Magnetic and Modular Jacks and Plugs  
**Description:** Blind Plug Dust Cover for 8 Position Modular Jack

**Documents:**

[Drawing \(PDF\)](#) [RoHS Certificate of Compliance \(PDF\)](#)

**General**

Product Family	Accessories
Series	<a href="#">90075</a>
Component Type	Dust Cover
Overview	<u>Magnetic and Modular Jacks and Plugs</u>
Product Name	RJ45
UPC	800754859783

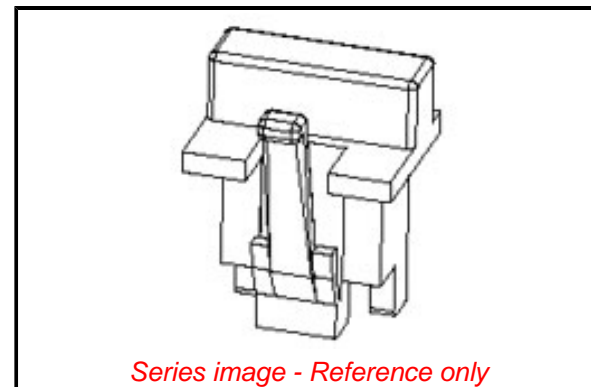
**Physical**

Circuits (Loaded)	8
Circuits (maximum)	8
Net Weight	1.350/g
Packaging Type	Bag
Temperature Range - Operating	-40°C to +80°C

**Material Info**

**Reference - Drawing Numbers**

Sales Drawing	SD-85999-056
---------------	--------------



**EU ELV**

**Not Relevant**

**EU RoHS**

**Compliant**

**REACH SVHC**

Not Contained Per -  
ED/30/2017 (7 July  
2017)

**Halogen-Free**

**Status**

**Low-Halogen**

**Need more information on product  
environmental compliance?**

Email [productcompliance@molex.com](mailto:productcompliance@molex.com)  
Please visit the [Contact Us](#) section for any  
non-product compliance questions.

China ROHS	Green Image
ELV	Not Relevant
RoHS Phthalates	Not Contained

**Search Parts in this Series**

[90075 Series](#)

**Use With**

8 Position Modular Jacks