

8400N Series

Tubeaxial

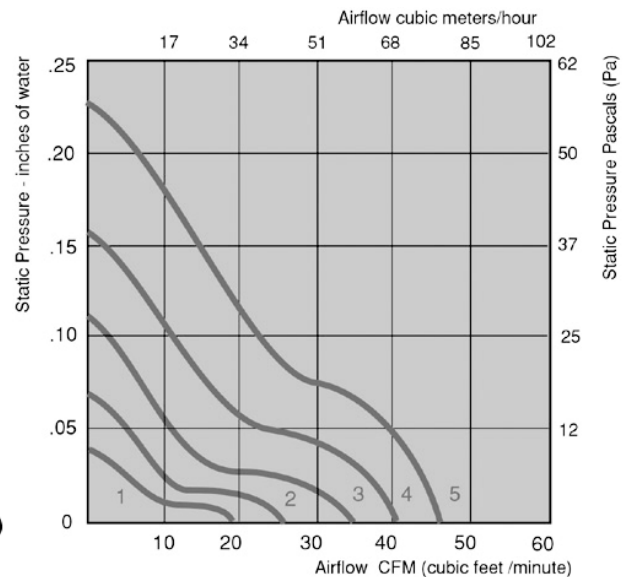
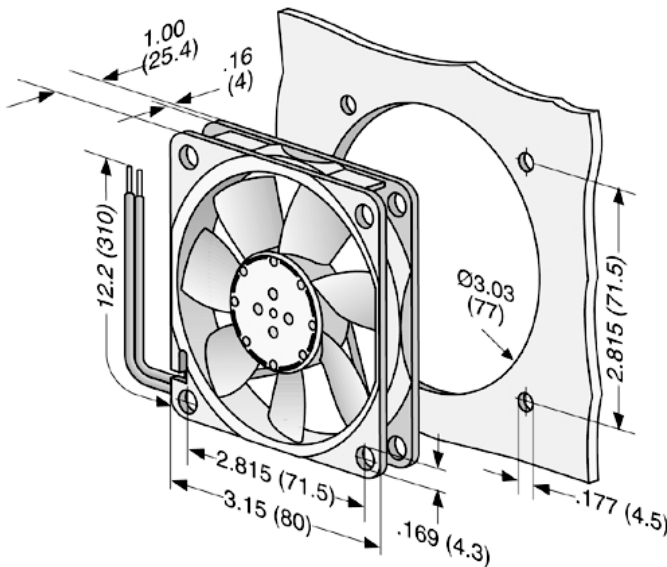
80x80x25mm



- DC fans with electronically commutated external rotor motor. Fully integrated commutation electronics.
- With electronic protection against reverse polarity, blocking and overloading; partially impedance protected.
- Mounting from either face using four 4.3 mm holes.

- Fan of fiberglass reinforced plastic. PBTP housing, PA impeller.
- Air exhaust over struts. Rotational direction CCW looking at rotor.
- Electrical connection via 2 leads AWG 24, TR 64. Stripped and tinned ends.
- UL, CSA, VDE approvals on some models, please contact application engineering.

Part Number	CFM @ 0	Curve	Volts	Voltage Range	Power (W)	dBA	Max Ambient Temp C	Wgt. (lbs)	Type Of Bearing	Features
8412NGL	19	1	12	8 to 15	0.6	12	70	0.31	Sintec	Leads
8412NL	19	1	12	8 to 15	0.6	17	70	0.31	Ball	Leads
8412NGML	27	2	12	8 to 15	0.9	19	70	0.31	Sintec	Leads
8412NML	27	2	12	8 to 15	0.9	21	70	0.31	Ball	Leads
8412NGM	34	3	12	8 to 15	1.3	26	70	0.31	Sintec	Leads
8412NM	34	3	12	8 to 15	1.3	27	70	0.31	Ball	Leads
8412NG	41	4	12	8 to 15	2.0	32	70	0.31	Sintec	Leads
8412N	41	4	12	8 to 15	2.0	32	70	0.31	Ball	Leads
8412NH	47	5	12	8 to 13.2	2.2	37	70	0.31	Ball	Leads
8412NGH	47	5	12	8 to 13.2	2.2	37	70	0.31	Sintec	Leads
<hr/>										
8414NL	19	1	24	18 to 28	0.7	17	70	0.31	Ball	Leads
8414NGL	19	1	24	18 to 28	0.7	12	70	0.31	Sintec	Leads
8414NML	27	2	24	18 to 28	1.1	21	70	0.31	Ball	Leads
8414NGML	27	2	24	18 to 28	1.1	19	70	0.31	Sintec	Leads



8400N Series

Tubeaxial

80x80x25mm



- DC fans with electronically commutated external rotor motor. Fully integrated commutation electronics.
- With electronic protection against reverse polarity, blocking and overloading; partially impedance protected.
- Mounting from either face using four 4.3 mm holes.

- Fan of fiberglass reinforced plastic. PBTP housing, PA impeller.
- Air exhaust over struts. Rotational direction CCW looking at rotor.
- Electrical connection via 2 leads AWG 24, TR 64. Stripped and tinned ends.
- UL, CSA, VDE approvals on some models, please contact application engineering.

Part Number	CFM @ 0	Curve	Volts	Voltage Range	Power (W)	dBA	Max Ambient Temp C	Wgt. (lbs)	Type Of Bearing	Features
8414NGM	34	3	24	18 to 28	1.4	26	70	0.31	Sintec	Leads
8414NM	34	3	24	18 to 28	1.4	27	70	0.31	Ball	Leads
8414N	41	4	24	18 to 28	2.0	32	70	0.31	Ball	Leads
8414NG	41	4	24	18 to 28	2.0	32	70	0.31	Sintec	Leads
8414NGH	47	5	24	18 to 28	2.4	37	70	0.31	Sintec	Leads
8414NH	47	5	24	18 to 26	2.4	37	70	0.31	Ball	Leads

