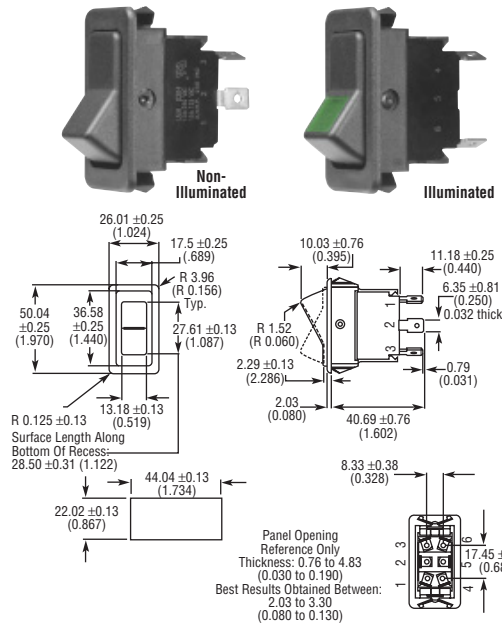


Full Size Euro-Look Rocker Switches



Recommended up to 15 A @ 28 VDC. Panel mount, cutout dimensions 0.867" x 1.734". Terminals: 0.250" spade.

Non-Illuminated Switches

Stock No.	Mfr.'s Type	Contact Form	Switch Function*	Actuator Style	EACH		
					1-24	25-49	50+
757-2401	8004K23N1V1	SPST	On-None-Off	Two face black rocker	4.03	3.55	3.30
757-2403	8004K35N1V1	SPST	(On)-None-Off	Two face black rocker	5.66	4.97	4.62
757-2405	8004K20N1V1	SPDT	On-Off-On	Two face black rocker	9.50	8.33	7.73
757-2406	8004K32N6V1	SPDT	(On)-Off-(On)	Two face black paddle	5.81	5.09	4.74
757-2407	8004K40N1V1	DPDT	On-Off-On	Two face black rocker	4.74	4.15	3.85
757-2408	8004K46N1V1	DPDT	On-None-On	Two face black rocker	6.88	6.04	5.60

Illuminated Switches

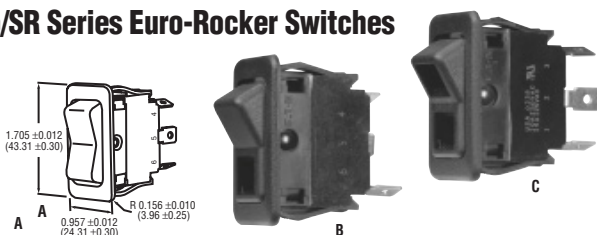
757-2409	8005K23N32V31	SPST	On-None-Off	Two face black rocker with one green lens	6.78	5.87	5.54
757-2410	8005K35N32V31	SPST	(On)-None-Off	Two face black rocker with one green lens	12.37	10.71	10.11
757-2412	8005K35N324V31	SPST	(On)-None-Off	Two face black rocker with two green lenses	12.25	11.22	10.40

*() Momentary.

Accessories

Stock No.	Mfr.'s Type	Description	EACH		
			1-24	25-49	50+
757-2413	28-3426	Lock-on connector	.66	.54	.52
757-2414	17-19544-2	Euro-look panel plugs	2.58	2.22	2.06

Euro/SR Series Euro-Rocker Switches



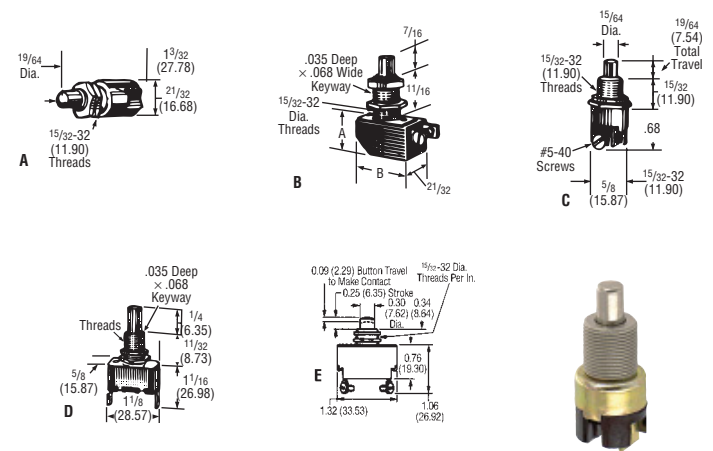
This switch is designed for tough applications with snap-in mounting. All switches are molded in an aesthetically pleasing matte finish and operate with a crisp tactile feel.

Non-Illuminated (Rated: 15 A, 125 VAC; 15 A, 28 VDC)

Black rocker and bezel. Sealed 0.250" spade terminal.

Stock No.	Mfr.'s Type	Fig.	Contact Form	Action (Momentary)	EACH		
					1-24	25-49	50+
757-5524	8006K23N1V2	A	SPST	On-None-Off	6.47	5.11	4.92
757-5526	8006K20N1V2	A	SPDT	On-Off-On	7.28	5.77	5.56
757-5527	8006K26N1V2	A	SPDT	On-None-On	7.28	5.77	5.57
757-5528	8006K32N1V2	A	SPDT	(On)-Off-(On)	7.47	5.91	5.70
757-5529	8006K43N1V2	A	DPST	On-None-Off	8.54	6.76	6.51
757-5530	8006K40N1V2	A	DPDT	On-Off-On	9.92	7.86	7.59
757-5531	8006K52N1V2	A	DPDT	(On)-Off-(On)	11.36	9.00	8.66

AC and AC/DC Rated Pushbutton Switches



Multi-Purpose AC/DC Pushbutton Switches

These have slow-make, slow-break contacts. Hardware unassembled.

Single Pole — Momentary — Normally Open

Stock No.	Mfr.'s Type	Fig.	Dim. (In.)		Rating @		Button Color	Terminals	EACH		
			A	B	125 V	250 V			1-24	25-49	50+
757-2305	8411K11	A	15/32	3/8	3/4 A	1/4 A	Black	Spade	3.04	2.88	2.81
757-2309	8411K12	A	15/32	3/8	3/4 A	1/4 A	Black	Screw	3.65	3.01	2.71
757-2311	8411K13	A	1/4	1/4	3/4 A	1/4 A	Red	*	2.83	2.46	2.13

*Spade and solder lugs.

Single Pole — Momentary — Normally Closed

757-2337	8411K7	A	15/32	13/32	3/4 A	1/4 A	Black	Screw	3.56	3.04	2.66
757-2340	8411K8	A	15/32	13/32	3/4 A	1/4 A	Black	S. Lug	2.99	2.58	2.23

AC/DC Pushbutton Switches

AC-DC switches are quick-make, quick-break. Mounting hardware supplied unassembled.

Push-On/Push-Off Switches (SPST)

757-2908	7208K104	B	0.69	1.09	6 A	3 A DC	Nickel	Screw	12.02	10.42	9.17
----------	----------	---	------	------	-----	--------	--------	-------	-------	-------	------

AC Pushbutton Switches

AC rated pushbutton switches feature slow-make, slow-break momentary contact mechanism. Bright nickel-plated button. 15/32" (11.9 mm) dia. bushing. Mounting hardware supplied unassembled.

Single Pole — Normally Open

Stock No.	Mfr.'s Type	Fig.	Rating @			Terminals	EACH		
			125 V	250 V	125/250 V		1-24	25-49	50+
757-2364	8440K2	C	3 A	—	—	S. Lug	9.81	7.96	7.34
757-2363	8440K3	C	3 A	—	—	Screw	10.18	8.89	7.77
757-2369	8442K4	D	6 A	3 A	—	Screw	6.14	5.23	4.58
757-2373	8444K4	D	15 A	10 A	1/3 HP	Screw	7.56	6.42	5.65

Double Pole — Normally Open

757-2383	8448K2	E	15 A	10 A	—	Screw	12.06	10.58	9.20
----------	--------	---	------	------	---	-------	-------	-------	------

Illuminated (Rated: 15 A, 125 VAC; 15 A, 28 VDC)

14 VDC bulb. Black rocker and bezel; no lens. Sealed 0.250" spade terminal.

Stock No.	Mfr.'s Type	Fig.	Contact Form	Action (Momentary)	Lamp Wiring	EACH		
						1-24	25-49	50+
757-5532	8007K23N313V52	B	SPST	On-None-Off	Dep.	9.82	7.77	7.49
757-5533	8007K26N324V52	C	SPDT	On-None-On	Ind.	12.82	10.16	9.79
757-5534	8007K20N324V52	C	SPDT	On-Off-On	Ind.	11.52	9.12	8.79
757-5535	8007K32N324V52	C	SPDT	(On)-Off-(On)	Ind.	11.96	9.65	9.29

Euro-Style Lens (Ordered Separately)

Stock No.	Mfr.'s Type	Color	EACH	
			1-24	25-49
757-5536	28-5415	Green	.30	.22
757-5537	28-5415-2	Amber	.28	.22
757-5538	28-5415-3	Red	.25	.20