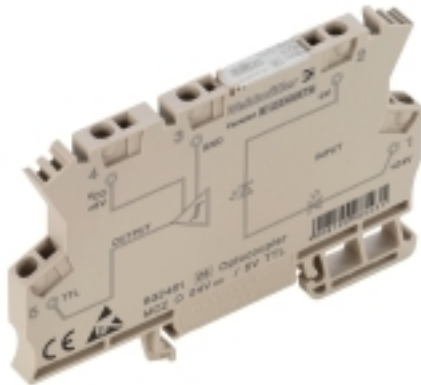


## MCZ SERIES MCZ O 5VTTL

**Weidmüller Interface GmbH & Co. KG**  
 Klingenbergstraße 16  
 D-32758 Detmold  
 Germany  
 Fon: +49 5231 1429-0  
 Fax: +49 5231 14292083  
 www.weidmueller.com



The MCZ O optos, with a width of only 6 mm, are the thinnest in their class.

They are distinguished by the following features:

- Tension clamp connection
- Integrated cross-connection in input/output  
 Clampable conductor cross-section is 0.5 to 1.5 mm<sup>2</sup>.

### General ordering data

Type	MCZ O 5VTTL
Order No.	<a href="#">8398940000</a>
Version	MCZ SERIES, solid-state relais, 1 NO contact (TTL), Rated control voltage: 5 V TTL, Rated switching voltage: 5...48 V DC, Continuous current: 100 mA, Tension clamp connection
GTIN (EAN)	4008190985448
Qty.	10 pc(s).

**MCZ SERIES**  
**MCZ O 5VTTL**

**Weidmüller Interface GmbH & Co. KG**  
 Klingenbergstraße 16  
 D-32758 Detmold  
 Germany  
 Fon: +49 5231 1429-0  
 Fax: +49 5231 14292083  
 www.weidmueller.com

**Technical data****Dimensions and weights**

Width	6.1 mm	Width (inches)	0.24 inch
Height	91 mm	Height (inches)	3.583 inch
Depth	63.2 mm	Depth (inches)	2.488 inch
Net weight	20.2 g		

**Temperatures**

Humidity	40 °C / 93 % rel. humidity, no condensation	Operating temperature	-25 °C...40 °C
Storage temperature	-40 °C...60 °C		

**Probability of failure**

MTTF	2,114 Years
------	-------------

**Control side**

Rated control voltage	5 V TTL	Nominal control current	1.65 mA DC
Power rating	10 mW	Status indicator	Green LED
Nominal auxiliary voltage	5 V DC $\pm$ 5 %		

**Load side**

Rated switching voltage	5...48 V DC	Continuous current	100 mA
Switch-on delay	< 17 $\mu$ s	Switch-off delay	< 250 $\mu$ s
Voltage drop at max. load	$\leq$ 1.8 V	Short-circuit-proof	No
Protective circuit, load side	Diode	max. switching frequency (DC control voltage)	2.4 kHz

**Contact data**

Contact type	1 NO contact (TTL)
--------------	--------------------

**General data**

Version	One end without connector	Mounting rail	TS 35
---------	---------------------------	---------------	-------

**Insulation coordination**

Rated voltage	300 V	Pollution severity	2
Surge voltage category	III	Clearance and creepage distances for control side - load side	$\geq$ 5.5 mm
Dielectric strength for control side - load side	1 kV <sub>eff</sub> / 1 s	Dielectric strength to mounting rail	4 kV <sub>eff</sub> / 1 min.
Impulse withstand voltage	6 kV (1.2/50 $\mu$ s)	Protection degree	IP20

**Further details of approvals / standards**

Standards	DIN EN 50178, UL508	Certificate No. (CSA)	154685-1198742
Certificate No. (cURus)	E141197		

**MCZ SERIES**  
**MCZ O 5VTTL**

**Weidmüller Interface GmbH & Co. KG**  
 Klingenbergstraße 16  
 D-32758 Detmold  
 Germany  
 Fon: +49 5231 1429-0  
 Fax: +49 5231 14292083  
 www.weidmueller.com

**Technical data****Connection data**

Wire connection method	Tension clamp connection	Stripping length, rated connection	8 mm
Clamping range, rated connection	1.5 mm <sup>2</sup>	Clamping range, rated connection, min.	0.5 mm <sup>2</sup>
Clamping range, rated connection, max.	1.5 mm <sup>2</sup>	Wire connection cross section AWG, min.	AWG 26
Wire connection cross section AWG, max.	AWG 16	Wire cross-section, solid, min.	0.5 mm <sup>2</sup>
Wire cross-section, solid, max.	1.5 mm <sup>2</sup>	Wire connection cross-section, finely stranded, min.	0.5 mm <sup>2</sup>
Wire connection cross section, finely stranded, max.	1.5 mm <sup>2</sup>	Wire cross-section, finely stranded, min. (AWG)	AWG 26
Wire cross-section, finely stranded, max. (AWG)	AWG 16	Cross-section for connected conductor, finely stranded with wire-end ferrules and plastic collars DIN 46228/4, rated connection, min.	0.5 mm <sup>2</sup>
Wire connection cross-section, finely stranded with wire-end ferrules and plastic collars DIN 46228/4, rated connection, max.	1.5 mm <sup>2</sup>	Conductor cross-section, flexible, AEH (DIN 46228-1), min.	0.5 mm <sup>2</sup>
Conductor cross-section, flexible, AEH (DIN 46228-1), max.	1.5 mm <sup>2</sup>	Blade size	0.6 x 3.5 mm

**Classifications**

ETIM 3.0	EC001504	ETIM 4.0	EC001504
ETIM 5.0	EC001504	ETIM 6.0	EC001504
UNSPSC	30-21-18-01	eClass 5.1	27-27-09-90
eClass 6.2	27-27-09-90	eClass 7.1	27-37-16-04
eClass 8.1	27-37-16-04	eClass 9.0	27-37-16-04
eClass 9.1	27-37-16-04		

**Product information**

Product information	The cable lengths must not exceed 30 m.
Descriptive text accessories	End plate AP MCZ 1.5: 8389030000 Accessories and dimensional drawings: refer to the MCZ Accessories page.

**Approvals**

Approvals



ROHS Conform

**Downloads**

Approval/Certificate/Document of Conformity	<a href="#">DE_PA_5600_160311_003.pdf</a>
Brochure/Catalogue	<a href="#">CAT 4.2 ELECTR 15/16 EN</a>
Engineering Data	<a href="#">EPLAN, WSCAD</a>
User Documentation	<a href="#">Operating Instructions</a>

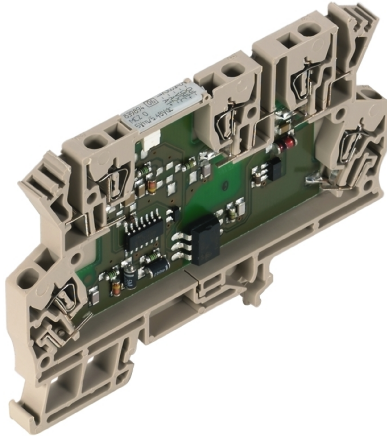
**Data sheet**

**MCZ SERIES  
MCZ O 5VTTL**

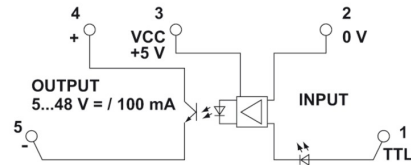
**Weidmüller Interface GmbH & Co. KG**  
 Klingenbergstraße 16  
 D-32758 Detmold  
 Germany  
 Fon: +49 5231 1429-0  
 Fax: +49 5231 14292083  
 www.weidmueller.com

**Drawings**

**Circuit diagram**

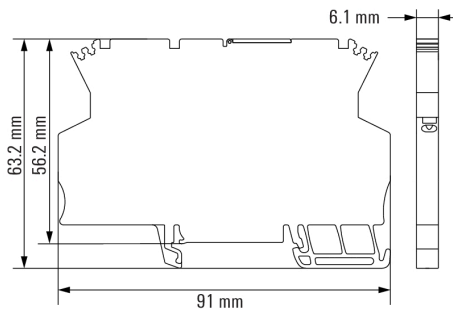


Similar to illustration



Schaltsymbol

**Dimensional drawing**



**MCZ SERIES  
MCZ O 5VTTL**

**Weidmüller Interface GmbH & Co. KG**  
Klingenbergstraße 16  
D-32758 Detmold  
Germany  
Fon: +49 5231 1429-0  
Fax: +49 5231 14292083  
www.weidmueller.com

**Accessories**

**ZQV 2.5N**



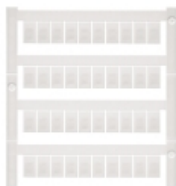
**Spring connection with tension clamp Technology**

Tension clamp technology is a universal contact system for all common conductor connection types. Its fantastic level of flexibility makes the tension clamp a profitable alternative connection.

**General ordering data**

Type	Order No.	Version	GTIN (EAN)	Qty.
ZQV 2.5N/20 SW	<a href="#">1909130000</a>	Z-series, Cross-connector, For the terminals, No. of poles: 20	4032248535910	20 pc(s).

**Blank**



WS markers are the perfect match for the W-series connectors. Thanks to their system compatibility, the WS tags can also be used with the I-series and the Z-series. The large marking surfaces do not only permit long character strings but also multi-line text. WS markers are ideal for labels with long, customised character strings. Thanks to the proven MultiCard format, printing with laser printer, PrintJet ADVANCED, plotter or MC-Mobilo is possible.

- Can be fitted in strips or individually
- Markers in proven MultiCard format

**General ordering data**

Type	Order No.	Version	GTIN (EAN)	Qty.
WS 10/6 MC NE WS	<a href="#">1828450000</a>	WS, Terminal marker, 10 x 6 mm, Pitch in mm (P): 6.00 Weidmueller, Allen-Bradley, White	4032248350513	600 pc(s).

**MCZ SERIES  
MCZ O 5VTTL**

**Weidmüller Interface GmbH & Co. KG**  
Klingenbergstraße 16  
D-32758 Detmold  
Germany  
Fon: +49 5231 1429-0  
Fax: +49 5231 14292083  
www.weidmueller.com

**Accessories**

**Tools**



Tools for removing the sheathing of uncut power cables and outgoing feeders, plus screwdrivers for installing FieldPower components.

**General ordering data**

Type	Order No.	Version	GTIN (EAN)	Qty.
SDS 0.6X3.5X100	<a href="#">9008330000</a>	Screwdriver, Blade width (B): 3.5 mm, Blade length: 100 mm, Blade thickness (A): 0.6 mm	4032248056286	1 pc(s).

**Accessories for MCZ**



End plates: for electronic components with terminal-block design.

**General ordering data**

Type	Order No.	Version	GTIN (EAN)	Qty.
AP MCZ1.5	<a href="#">8389030000</a>	End plate, MCZ SERIES grey-beige, End plate, Width: 1.5 mm	4008190386849	50 pc(s).

**MCZ SERIES  
MCZ O 5VTTL**

**Weidmüller Interface GmbH & Co. KG**  
 Klingenbergstraße 16  
 D-32758 Detmold  
 Germany  
 Fon: +49 5231 1429-0  
 Fax: +49 5231 14292083  
 www.weidmueller.com

**Accessories****ZQV 4N****Spring connection with tension clamp Technology**

Tension clamp technology is a universal contact system for all common conductor connection types. Its fantastic level of flexibility makes the tension clamp a profitable alternative connection.

**General ordering data**

Type	Order No.	Version	GTIN (EAN)	Qty.
ZQV 4N/3 SW	<a href="#">1794000000</a>	Accessories, Cross-connector, 32 A	4032248233793	60 pc(s).
ZQV 4N/2 GE	<a href="#">1758250000</a>	Accessories, Cross-connector, 32 A	4032248169795	60 pc(s).
ZQV 4N/10 GE	<a href="#">1758260000</a>	Accessories, Cross-connector, 32 A	4032248169764	20 pc(s).
ZQV 4N/10 RT	<a href="#">1794040000</a>	Accessories, Cross-connector, 32 A	4032248234004	20 pc(s).
ZQV 4N/2 RT	<a href="#">1793950000</a>	Accessories, Cross-connector, 32 A	4032248233748	60 pc(s).
ZQV 4N/4 RT	<a href="#">1794010000</a>	Accessories, Cross-connector, 32 A	4032248233809	60 pc(s).
ZQV 4N/4 BL	<a href="#">1794020000</a>	Accessories, Cross-connector, 32 A	4032248233816	60 pc(s).
ZQV 4N/4 GE	<a href="#">1762620000</a>	Accessories, Cross-connector, 32 A	4032248169771	60 pc(s).
ZQV 4N/3 RT	<a href="#">1793980000</a>	Accessories, Cross-connector, 32 A	4032248233779	60 pc(s).
ZQV 4N/20 RT	<a href="#">1909150000</a>	Accessories, Cross-connector, 32 A	4032248535934	20 pc(s).
ZQV 4N/2 BL	<a href="#">1793960000</a>	Accessories, Cross-connector, 32 A	4032248233755	60 pc(s).
ZQV 4N/20 GE	<a href="#">1909020000</a>	Accessories, Cross-connector, 32 A	4032248535644	20 pc(s).
ZQV 4N/2 SW	<a href="#">1793970000</a>	Accessories, Cross-connector, 32 A	4032248233762	60 pc(s).
ZQV 4N/3 BL	<a href="#">1793990000</a>	Accessories, Cross-connector, 32 A	4032248233786	60 pc(s).
ZQV 4N/10 BL	<a href="#">1794050000</a>	Accessories, Cross-connector, 32 A	4032248234011	20 pc(s).
ZQV 4N/4 SW	<a href="#">1794030000</a>	Accessories, Cross-connector, 32 A	4032248233915	60 pc(s).
ZQV 4N/3 GE	<a href="#">1762630000</a>	Accessories, Cross-connector, 32 A	4032248169788	60 pc(s).
ZQV 4N/20 BL	<a href="#">1909100000</a>	Accessories, Cross-connector, 32 A	4032248535774	20 pc(s).
ZQV 4N/10 SW	<a href="#">1794060000</a>	Accessories, Cross-connector, 32 A	4032248234059	20 pc(s).

**MCZ SERIES  
MCZ O 5VTTL**

**Weidmüller Interface GmbH & Co. KG**  
Klingenbergstraße 16  
D-32758 Detmold  
Germany  
Fon: +49 5231 1429-0  
Fax: +49 5231 14292083  
www.weidmueller.com

**Accessories**

**Slotted screwdriver**



VDE insulated screwdriver sets, for working on live parts up to 1000 V AC and 1500 V DC, DIN EN 60900. IEC 900. Each piece is "GS" safety tested. Blade made from fully hardened, high-alloy chromium-vanadium-molybdenum steel, gun-metal finish.

**General ordering data**

Type	Order No.	Version	GTIN (EAN)	Qty.
SDIS SL 0.6X3.5X100	<a href="#">1274660000</a>	Assembly tool, Blade width (B): 3.5 mm, Blade length: 100 mm, Blade thickness (A): 0.6 mm	4050118072631	1 pc(s).

**Slotted screwdriver**



VDE insulated slot-head screwdriver, SDI DIN 7437, ISO 2380/2, drive output acc. to DIN 5264, ISO 2380/1. SoftFinish grip

**General ordering data**

Type	Order No.	Version	GTIN (EAN)	Qty.
SDIS 0.6X3.5X100	<a href="#">9008390000</a>	Screwdriver, Blade width (B): 3.5 mm, Blade length: 100 mm, Blade thickness (A): 0.6 mm	4032248056354	1 pc(s).