



## 83880 with cable output Metal plunger with threaded barrel Part number 83884103



IP 66/67  
Metal case  
cUL approval

### Part numbers

	Type	Characteristics	Type of output
83 880 101	Metal plunger	Standard	Cable length 1 m
83 880 102	Metal plunger	Standard	Cable length 2 m
83 880 103	Metal plunger	Standard	Cable length 3 m
83 880 106	Metal plunger	Standard	Cable length 6 m
CONTACT US	Metal plunger	Plunger with 90° roller	Cable length 1 m
CONTACT US	Metal plunger	Plunger with 90° roller	Cable length 2 m
CONTACT US	Metal plunger	Plunger with 90° roller	Cable length 3 m
CONTACT US	Metal plunger	Plunger with 90° roller	Cable length 6 m
83 881 101	Metal roller plunger	Standard	Cable length 1 m
83 881 102	Metal roller plunger	Standard	Cable length 2 m
83 881 103	Metal roller plunger	Standard	Cable length 3 m
83 881 106	Metal roller plunger	Standard	Cable length 6 m
83 885 101	Metal roller plunger	Plunger with 90° roller	Cable length 1 m
83 885 102	Metal roller plunger	Plunger with 90° roller	Cable length 2 m
83 885 103	Metal roller plunger	Plunger with 90° roller	Cable length 3 m
83 885 106	Metal roller plunger	Plunger with 90° roller	Cable length 6 m
83 884 101	Metal plunger with threaded barrel	Standard	Cable length 1 m
83 884 102	Metal plunger with threaded barrel	Standard	Cable length 2 m
83 884 103	Metal plunger with threaded barrel	Standard	Cable length 3 m
83 884 106	Metal plunger with threaded barrel	Standard	Cable length 6 m
CONTACT US	Metal plunger with threaded barrel	Plunger with 90° roller	Cable length 1 m
CONTACT US	Metal plunger with threaded barrel	Plunger with 90° roller	Cable length 2 m
CONTACT US	Metal plunger with threaded barrel	Plunger with 90° roller	Cable length 3 m
CONTACT US	Metal plunger with threaded barrel	Plunger with 90° roller	Cable length 6 m
83 882 101	Roller plunger - metal with threaded barrel	Standard	Cable length 1 m
83 882 102	Roller plunger - metal with threaded barrel	Standard	Cable length 2 m
83 882 103	Roller plunger - metal with threaded barrel	Standard	Cable length 3 m
83 882 106	Roller plunger - metal with threaded barrel	Standard	Cable length 6 m
83 886 101	Roller plunger - metal with threaded barrel	Plunger with 90° roller	Cable length 1 m
83 886 102	Roller plunger - metal with threaded barrel	Plunger with 90° roller	Cable length 2 m
83 886 103	Roller plunger - metal with threaded barrel	Plunger with 90° roller	Cable length 3 m
83 886 106	Roller plunger - metal with threaded barrel	Plunger with 90° roller	Cable length 6 m
83 883 101	Steel metal roller lever (2 directions of attack)	Standard	Cable length 1 m
83 883 102	Steel metal roller lever (2 directions of attack)	Standard	Cable length 2 m
83 883 103	Steel metal roller lever (2 directions of attack)	Standard	Cable length 3 m
83 883 106	Steel metal roller lever (2 directions of attack)	Standard	Cable length 6 m
CONTACT US	Steel metal roller lever (2 directions of attack)	Plunger with 90° roller	Cable length 1 m
CONTACT US	Steel metal roller lever (2 directions of attack)	Plunger with 90° roller	Cable length 2 m
CONTACT US	Steel metal roller lever (2 directions of attack)	Plunger with 90° roller	Cable length 3 m
CONTACT US	Steel metal roller lever (2 directions of attack)	Plunger with 90° roller	Cable length 6 m

### Specifications


Conformity to standards	
Protection against electric shocks	
Degree of protection IEC 60529	
Degree of protection according to NEMA 250	Type 1, 3, 4, 6, 13

### Electrical characteristics

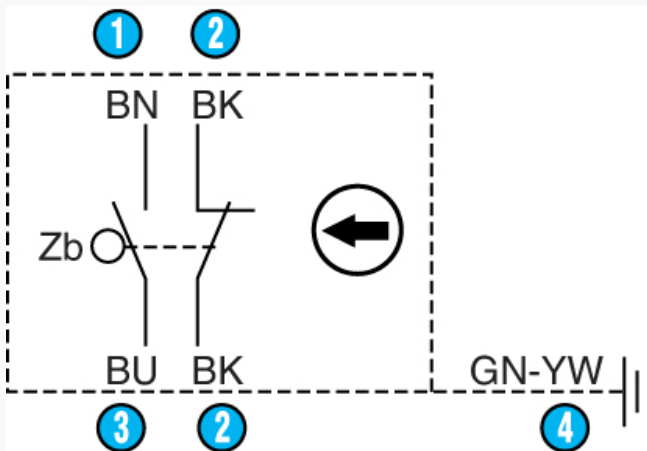
Connection	
------------	--

Operating temperature (°C)	-25 → +70 °C
Assigned impulse voltage (Uimp) - V	
Assigned insulation voltage Ui (V)	500
Thermal current I (A)	10
Low-load switching - Minimum voltage (V)	10
Low-load switching - Minimum current (mA)	100
Assigned working characteristics (EN 60 947.5.1, UL 508)	A300 = AC15 250 V 6 A Q150 = DC13 24 V 8 A
Use category according to IEC 947.5.1	AC15=250 V/6 A DC13=24 V/8 A
Use category according to UL 508	A300 - Q150
Electrical protection	Integral earth wire Short-circuit protection device : IEC/EN 60947.5.1 Fuse 6 AgC
Approvals	UL 508, UL 50

### Mechanical characteristics

Sequence	
Snap action	
Minimum operating force (N)	10
Minimum operating force (Nm)	-
Minimum total travel force (N)	30
Minimum total travel force (Nm)	-
Min. positive opening travel (N)	28
Min. positive opening travel (Nm)	-
Mechanical life (millions of operations)	10
Vertical approach speed	-
Horizontal approach speed (30° cam)	1 mm/min → 0,3 m/s
Weight (g)	220

### Principles



### Function

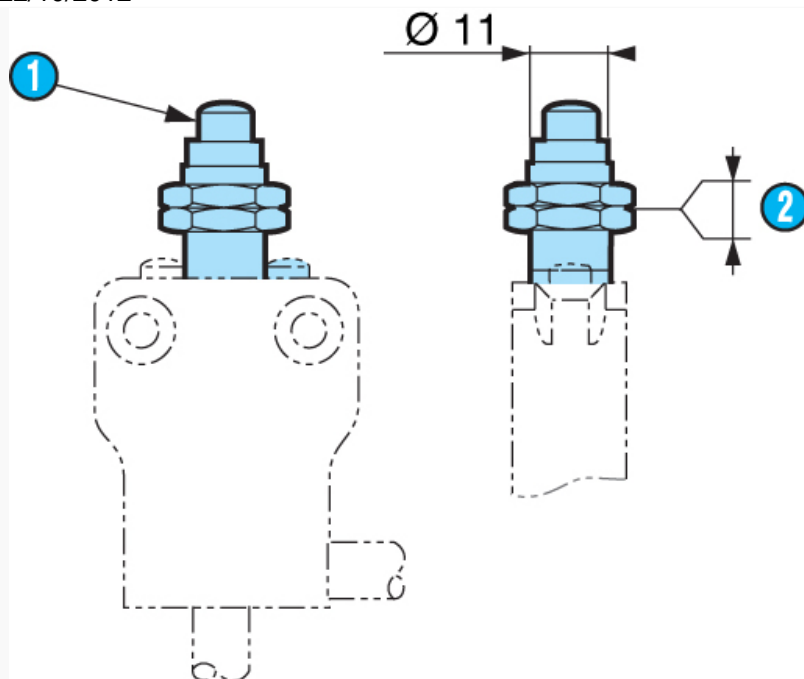
Four-terminal double break two-way contact element (form Zb) with positive opening NC contacts. The 2 moving contacts are electrically isolated from one another.

N°	Legend
①	Brown
②	Black
③	Blue
④	Green-yellow

### Dimensions (mm)

#### Product

83 884 1



83 884 0

N°	Legend
1	POP marking
2	Max.tightening thickness 8.5

#### Product adaptations



- Contact type
- Rear output
- Protective scraper seal
- Length of cable/connector/stripping
- Connector output
- Low level contact