

SWITCHES & SENSORS

● Indicates RoHS Compliant

SWITCHES – STANDARD TOGGLE

EXTRA HEAVY-DUTY SCREW TERMINAL AC/DC TOGGLE POWER SWITCHES (CONT.)

Mfg. Part No.	Circuit	Action	Stock No.	Price Each	
				1-4	5-9
● 7810K1	DPDT	On-On	46F1865	138.20	123.71
● 7812K2	3PDT	On-Off-On	46F8145	241.77	216.42

(4858)

AC/DC TOGGLE POWER SWITCHES



Cutler-Hammer



- Quick-Make/Quick-Break Wiping Action
- Maintained
- Operating Temperature Range: 0°F to +150°F

Switches are all UL recognized, CSA certified except type 8980K14 (UL recognized only). DPST circuit, Off-Off action. Mfg. part no. 8980K5 is 30A @ 250VAC/VDC; 20A @ 600VAC/VDC. Mfg. part no. 8980K1 is 60A @ 250VAC/VDC; 2HP @ 125-250VAC/VDC. Mfg. part no. 8980K14 is 30A @ 250VAC/VDC; 2HP @ 120-240VAC; 1HP @ 480VAC.

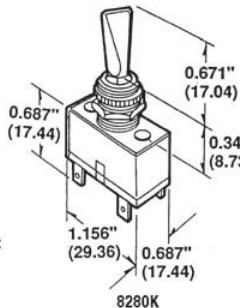
SQUARE LEVER TYPES

Mfg. Part No.	Mounting	Terminal	Stock No.	Price Each	
				1-9	10-24
● 8980K5	Panel Type Strap	Screw	23F017	36.90	34.47
● 8980K1	...	Bus	46F1871	56.64	52.90
● 8980K14	Panel Type Strap (binding screws assembled)	Screw	46F1867	41.83	39.07

(4857)

DESIGNER LINE GENERAL-PURPOSE AC/DC RATED TOGGLE SWITCHES

- Quick-Make, Quick-Break Contact Mechanism With Nontearable, Self Cleaning, Wiping Contact Action
- All Switches Listed Are Rated 6A @ 125VAC/DC, 3A @ 250VDC, Except type 8282K, Which is Rated 3A @ 125VAC/DC @ 250VDC
- 8280K Series Has No Rating @ 125VAC/DC
- Threaded Black Bushing: 0.468" -32
- Solder Lug Terminals



Cutler-Hammer



Come with "C" style lever. Units are one-hole mounting and are UL recognized, CSA certified. Thermoplastic lever and black mounting hardware included. On/off plates and hardware available for designer line switches; contact your Newark representative for pricing.

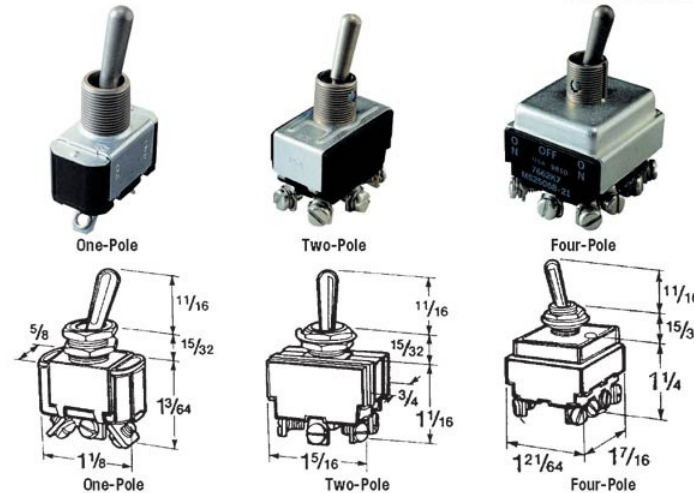
SPST ON-NONE-OFF

Mfg. Part No.	Lever Color	Stock No.	Price Each		
			1-49	50-99	100+
● 8280K127C	Black	41F463	4.65	4.28	3.99
● 8381K121C	White	23F450	4.86	4.48	4.17
● 8381K122C	Red	23F451	4.53	4.17	3.88

7600, 8800 SERIES MIL-S-83731 STANDARD SWITCHES WITH LEVER SEAL



Cutler-Hammer



- Bushing: 1/32 -32 Thread
- Rated: 20A @ 28VDC and 10A @ 115VAC
- Keyway: 0.035" (0.889D) by 0.068" (1.73)W

Silicone rubber lever seal stops contaminants. Hot tin-dipped #6-32 screw terminals facilitate soldering when used as lug. Phenolic and metal housing. Meet Military Specification. MIL-S-83731. (On) = Momentary action; On = Maintained action.

ONE-POLE

Mfg. Part No.	Action	Stock No.	Price Each		
			1-14	15-24	25+
● 8800K16	On-Off-On	23F307	21.99	19.87	18.26
● 8801K22	On-None-Off	20M3079	18.47	16.69	15.33
● 8810K15	On-None-On	23F306	22.33	20.17	18.54
● 8801K23	On-Off-None	11M1858	19.92	18.00	16.54
● 8812K14	(On)-Off-(On)	11M1860	23.50	21.23	19.50
● 8811K17	Off-None-(On)	11M1859	21.42	19.36	17.78

TWO-POLE

● 8820K16	On-Off-On	11M1861	30.85	27.87	25.61
● 8822K20	On-None-Off	11M1862	26.94	24.34	22.36
● 8824K14	On-None-On	11M1863	29.94	27.05	24.86
8830K13	On-None-(On)	41F646	37.27	33.68	30.94
8834K5	(On)-Off-(On)	23F317	38.67	34.94	32.10
8832K6	On-Off-(On)	23F318	36.83	33.28	30.58

FOUR-POLE

● 7662K7	On-Off-On	20M2973	60.71	54.85	50.40
● 7664K5	On-None-On	23F319	60.71	54.85	50.40

(4905)

AC RATED, HEAVY-DUTY, MILITARY TOGGLE SWITCHES

