

Catalog 126

View all online Newark catalogs

Search this catalog:

Jump to section...

Page 1805 of 2488

Print Page

Thumbnails Facing pages Single Page Zoom

Previous Next

Click Stock Number for Current Pricing & Availability

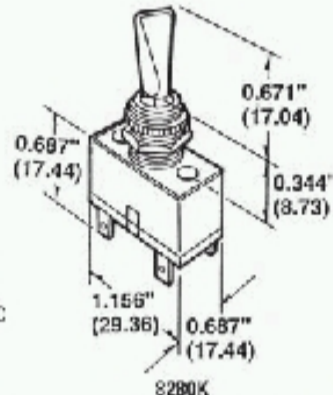
No Minimum Order Fees

SWITCHES & SENSORS

SWITCHES - STANDARD TOGGLE

DESIGNER LINE GENERAL-PURPOSE AC/DC RATED TOGGLE SWITCHES

- Quick-Make, Quick-Break Contact Mechanism With Nonseparable, Self-Cleaning Wiping Contact Action... All Switches Listed Are Rated 6A @ 125VAC/DC, 3A @ 250VDC, Except type 8282K, Which Is Rated 3A @ 125VAC/DC @ 250VDC... 8280K Series Has No Rating @ 125VAC/DC... Threaded Black Bushing: 0.468" -32... Solder Lug Terminals



Cutler-Hammer



Come with "O" style lever. Units are one-hole mounting and are UL recognized, CSA certified. Thermoplastic lever and black mounting hardware included. On/off plates and hardware available for designer line switches; contact your Newark representative for pricing.

SPST ON-NONE-OFF

Table with columns: Mfg. Part No., Lever Color, Stock No., Price Each (1-14, 50-99, 100+)

SPDT ON-NONE-ON

Table with columns: Mfg. Part No., Lever Color, Stock No., Price Each (1-14, 50-99, 100+)

DPST ON-NONE-OFF

Table with columns: Mfg. Part No., Lever Color, Stock No., Price Each (1-14, 50-99, 100+)

DPDT ON-NONE-ON

Table with columns: Mfg. Part No., Lever Color, Stock No., Price Each (1-14, 50-99, 100+)

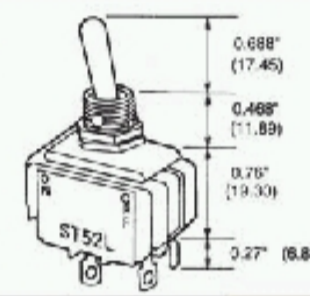
7600, 8800 SERIES MIL-S-83731 STANDARD SWITCHES WITH LEVER SEAL

Table with columns: Mfg. Part No., Action, Stock No., Price Each (1-14, 15-24, 25+)

AC RATED, HEAVY-DUTY, MILITARY TOGGLE SWITCHES

- Bushing Length: 0.468" (11.89) | Lever Length: 0.688" (17.46)

Heavy-duty general purpose switches conform to military (MIL-S-23 equivalent) information. Units featured have solder lug terminals. Screw terminals available; go online or call for information.



Cutler-Hammer

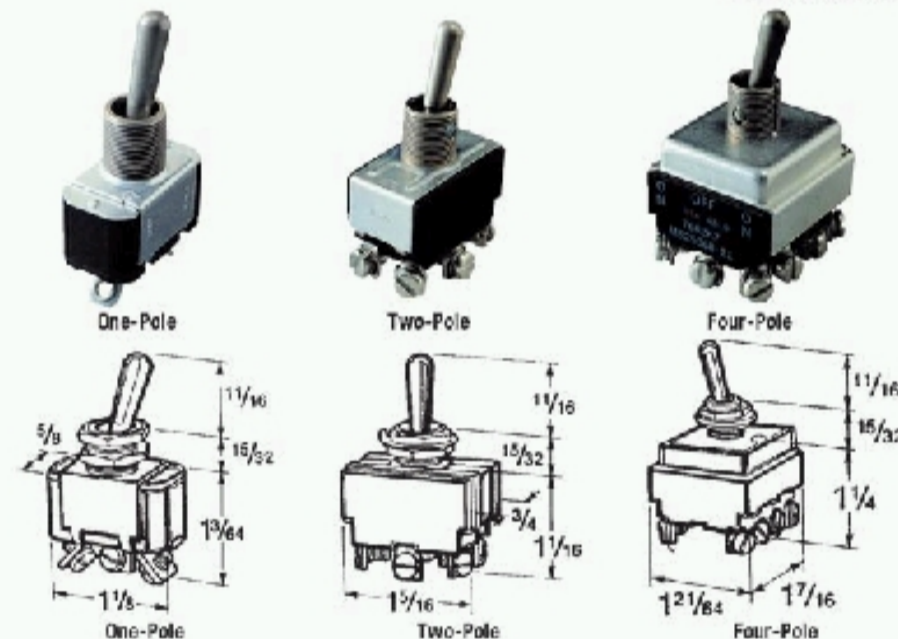


Table with columns: Mfg. Part No., Circuitry, Action, Termination, Stock No., Price Each (1-24, 25-49)

7600, 8800 SERIES MIL-S-83731 STANDARD SWITCHES WITH LEVER SEAL



Cutler-Hammer



- Bushing: 1/16" -32 Thread | Rated: 20A @ 28VDC and 1CA @ 115VAC | Keyway: 0.035" (0.889) D by 0.368" (9.348) W

Silicone rubber lever seal stops contaminants. Hot tin-dipped #6-32 screw terminals facilitate soldering when used as lug. Phenolic and metal housing. Meet Military Specification: MIL-S-83731. (On) = Momentary action; (On) = Maintained action.

ONE-POLE

Table with columns: Mfg. Part No., Action, Stock No., Price Each (1-14, 15-24, 25+)

TWO-POLE

Table with columns: Mfg. Part No., Action, Stock No., Price Each (1-14, 15-24, 25+)

CONTINUED

NT SERIES SEALED TOGGLE SWITCHES



Sensing and Control



- Available with raised panel standoff and "O" ring seal | Screw terminals | Meets NEMA 3, 3R, 4 and 13 as well as IP67 and IP68 | Step-design case for added space between terminals preventing shorting | Spring-loaded actuating mechanism provides excellent tactile feedback | High-impact strength, non-tracking case enhances electrical stability | Temperature Range: -40°C to 71°C (-40°F to 160°F) | UL Recognized, CSA Certified, CE Compliant

Designed to meet severe environment application needs for a rugged, cost-effective toggle switch. Quality construction features include a one-piece seal between the toggle lever and bushing, and between the cover and case. Terminal inserts are molded into the high-impact strength thermoplastic case. Includes mounting hardware. "NONE" in table indicates toggle lever is blocked from these positions. Toggle becomes 2-position with center being one extreme position. See table below for electrical ratings. 1/16" -32UNS thread. Mfg. part nos. with prefixes 61 and 62 denote new version with raised panel standoff and "O" ring seal.

UL RECOGNIZED AND CSA CERTIFIED ELECTRICAL RATINGS FOR NT SERIES

Table with columns: Rating Code, Electrical Rating

2-POSITION SWITCHES

Table with columns: Mfg. Part No., Poles, Circuits Made At: Keyway Pos., Opposite Keyway, UL Code, Stock No., Price Each (1-14)

CONTINUED

1.800.463.9275 • Find more at www.newark.com



Search this catalog:

Jump to section...

Page 1805 of 2488

Print Page

Thumbnails Facing pages Single Page Zoom

Previous Next