

PBX Secure Standard83240 Part number 83240200




- Dimensions according to standard DIN 41 636 type F
- Positive break operation mechanism according to IEC 60947-5-1 Annex K
- Double break changeover switch with electrically separated circuits (form Zb)
- IP 40 or IP 67 / IP 65 versions
- Operating temperature between -50 and +85 °C
- Long overtravel
- Standard or Low level version

Part numbers

| Type | Degree of protection mechanism - connection | Connections / Accessories |
|------------------------|---|---------------------------|
| 83240200 Standard83240 | IP 67 / IP 65 - IP 00 | W3 |

Specifications

Electrical characteristics

| | |
|------------------------------------|---|
| Direct opening action |  |
| Rating nominal / 250 VAC (A) | 6 |
| Rating nominal / 250 VDC (A) | 0.6 |
| Rating thermal (A) | 10 |
| Operating range / 4 →30 VDC/AC (A) | - |

Mechanical characteristics

| | |
|-------------------------------------|---|
| Maximum operating force (N) | 4,5 |
| Minimum positive opening force (N) | 28 |
| Maximum rest position (mm) | 8,9 |
| Operating position (mm) | 6,6 ±0,25 * |
| Positive opening position (mm) | 4,4 * |
| Maximum end of travel position (mm) | 3,4 * |
| Differential travel (mm) | 1 ±0,3 |
| Operating temperature (°C) | -50 →+85 |
| Mechanical life (operations) | 10 ⁷ (IP40) 4x10 ⁶ (IP 67) |
| Contact gap (mm) | 2 x 1 |
| Max. tightening torque (Nm) | 1.3 on Ø 4.1 holes |
| Weight (g) | 22 * |

Comments

* Values given for versions without lever (in relation to the reference dimension X0 - See Dimensions section).

Additional characteristics

Components

Material

- Case/cover : PC GF 20 FR. (UL 94-V0, GWFI 960 °C, NFF 16-101/102 I2F1)
- Contacts : AgNi for Standard version and AgPd for low level version
- Terminals : Brass
- Button membrane : Silicone
- Screws : zinc protected steel (stainless steel on request)

Conformity to standards

- Construction and performance according to IEC 60947-5-1
- Positive opening operation according to IEC 60947-5-1 Annex K
- Dimensions conforming to standard DIN 41 636 type F

- Insulation characteristics according to standard IEC 60947-5-1

* Impulse withstand voltage : U_{imp} = 4 KV

* Rated insulation voltage : U_i = 400 V

* Pollution degree = 3

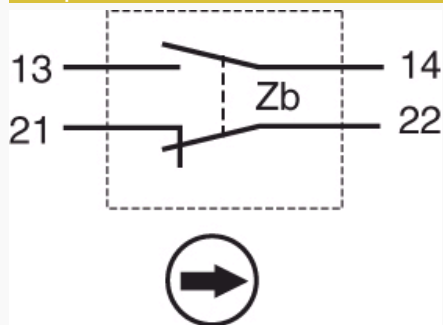
- Insulation characteristics according to standard EN 50124-1

* Impulse withstand voltage : U_{imp} = 2.5 KV

* Rated insulation voltage : U_i = 150 V

* Pollution degree = PD3A

Principles



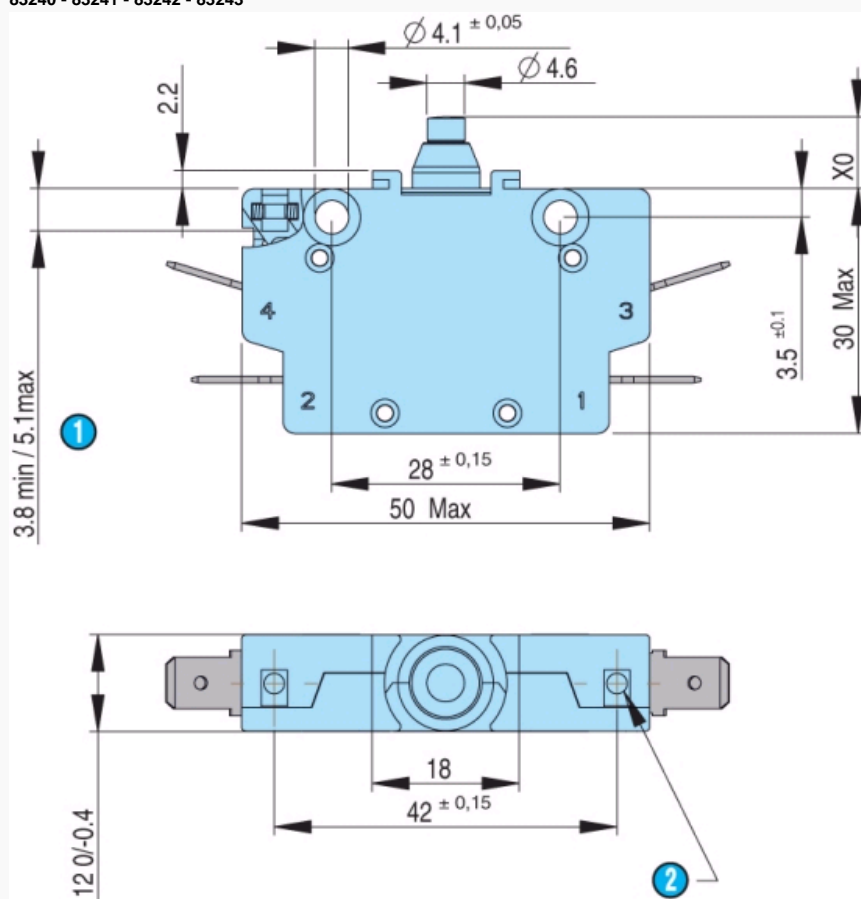
Function

Four-terminal two-way snap-action contact element (form Zb) with positive break operation. The 2 contacts are electrically separated.

Dimensions (mm)

Product

83240 - 83241 - 83242 - 83243

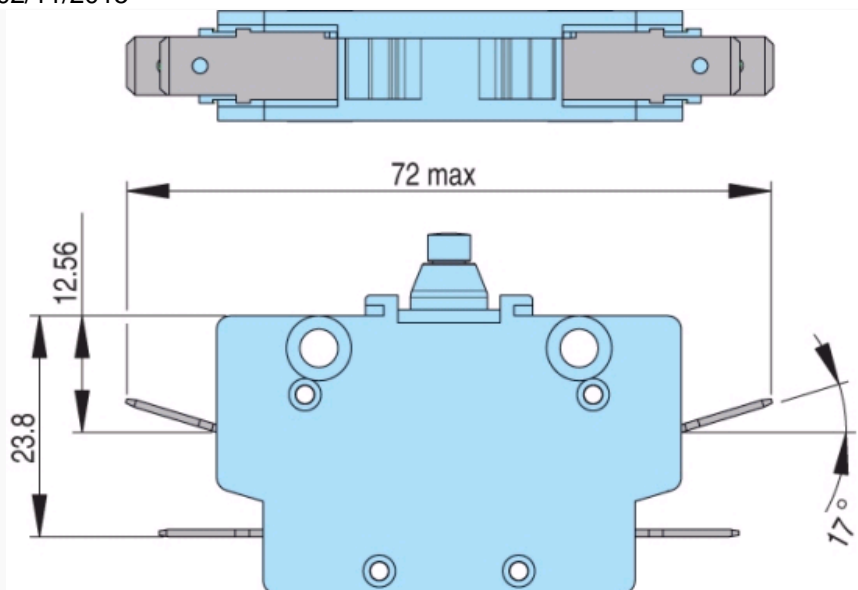
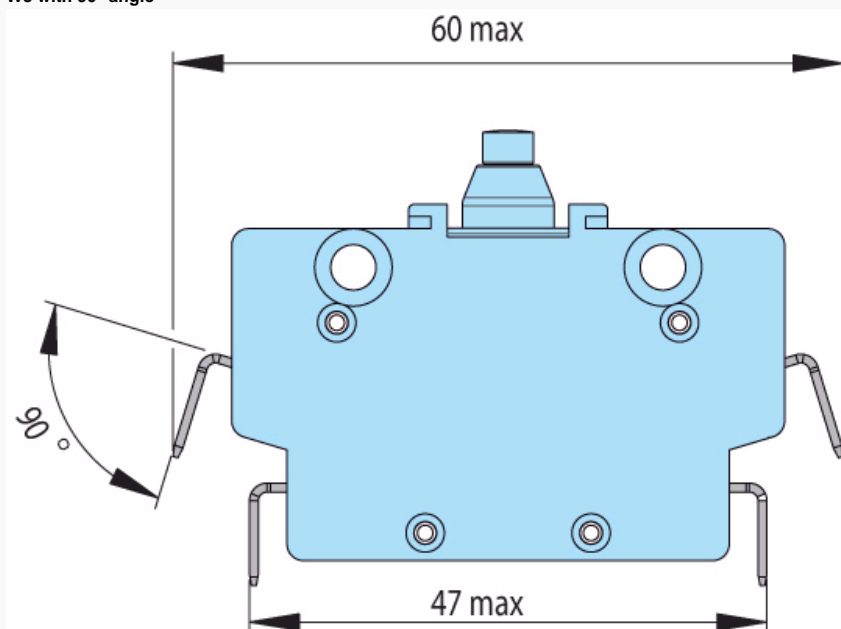


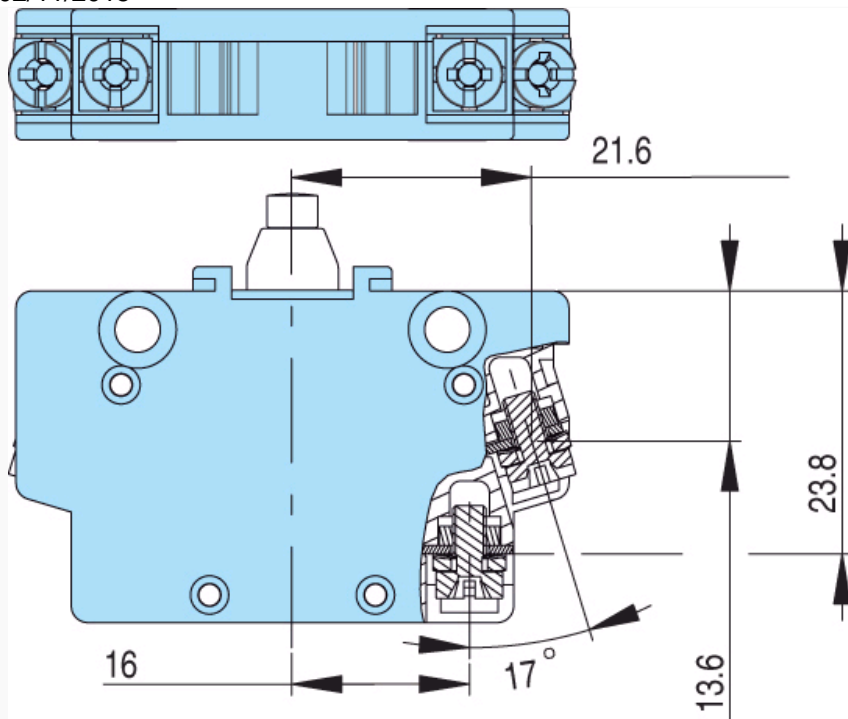
| N° | Legend |
|----|------------------------------|
| 1 | Fixing screw threaded length |
| 2 | Fixing nuts 2 x M3 |

Dimensions (mm)

Connections

W3 for 6.35 mm x 0,8 mm female connector

**Dimensions (mm)****Connections****W3 with 90° angle****Dimensions (mm)****Connections****W5 with screws**

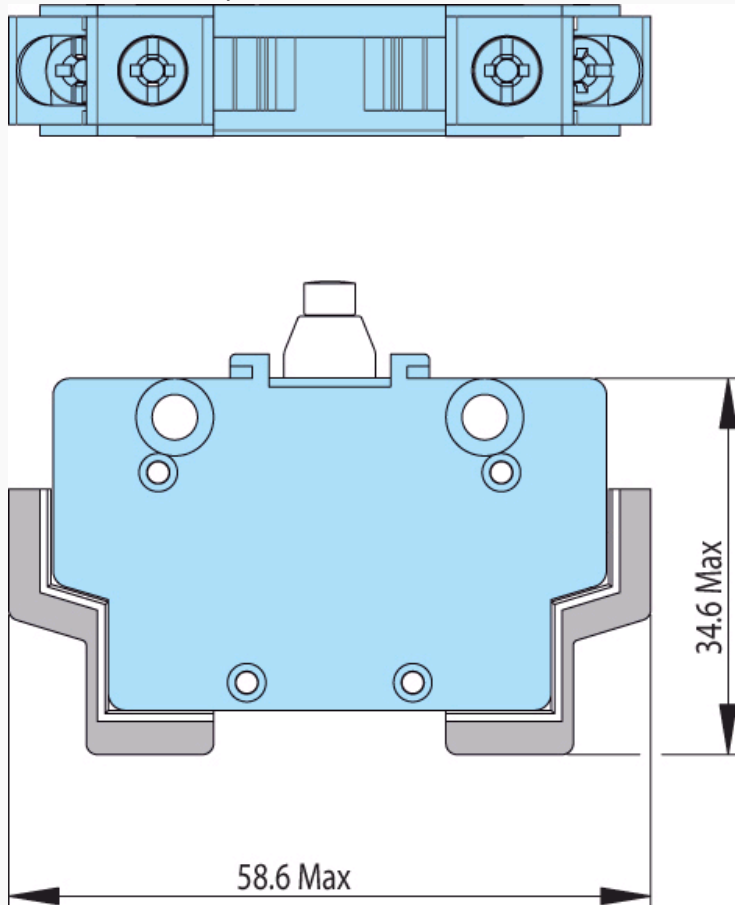


4 x M3 screws with saddle

Dimensions (mm)

Connections

W5 with screws and IP20 protective covers

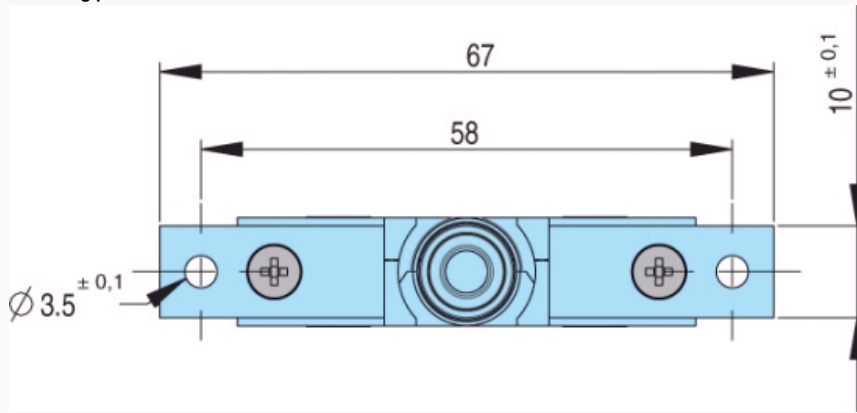


4 x M3 screws with saddle

Dimensions (mm)

Mounting accessories

Mounting plates with holes

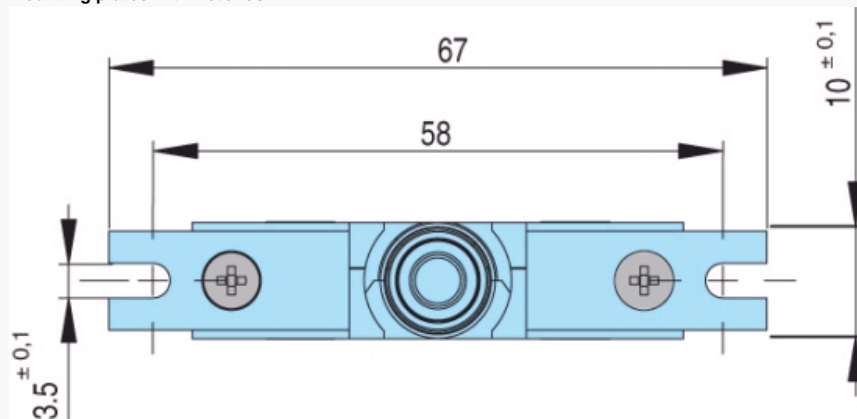


Thickness : 1 mm

Dimensions (mm)

Mounting accessories

Mounting plates with notches

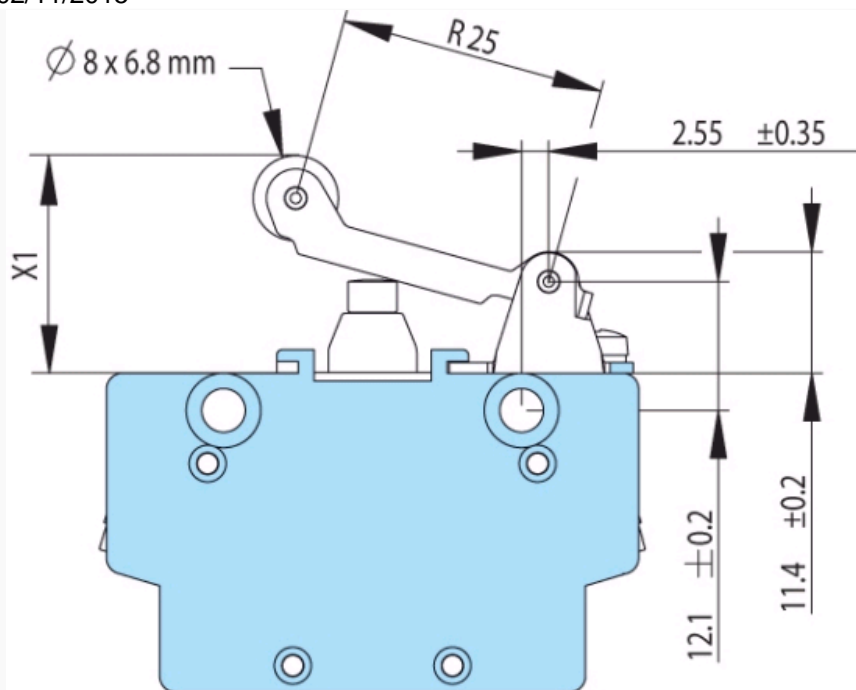


Thickness : 1 mm

Dimensions (mm)

Actuators

Roller lever



Thickness : 1 mm

Dimensions (mm)

Actuators

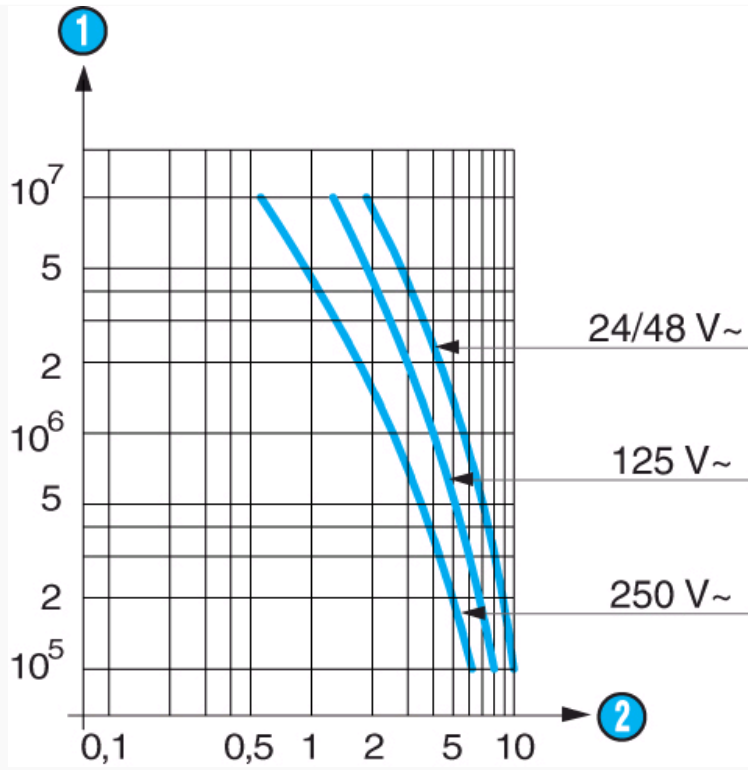
Mechanical features of lever versions

| With reference to dimension X1 | 83240/83241 | 83242/83243 |
|-------------------------------------|----------------------|----------------------|
| Maximum operating force (N) | 2,7 | 3,9 |
| Min. positive opening force (N) | 19 | 19 |
| Maximum rest position (mm) | 21 | 21 |
| Operating position (mm) | 16,6 ^{±0,6} | 16,6 ^{±0,6} |
| Positive opening position (mm) | 13,2 | 13,2 |
| Maximum end of travel position (mm) | 12 | 12 |
| Differential travel (mm) | 1,8 ^{±0,55} | 1,8 ^{±0,55} |

Thickness : 1 mm

Curves

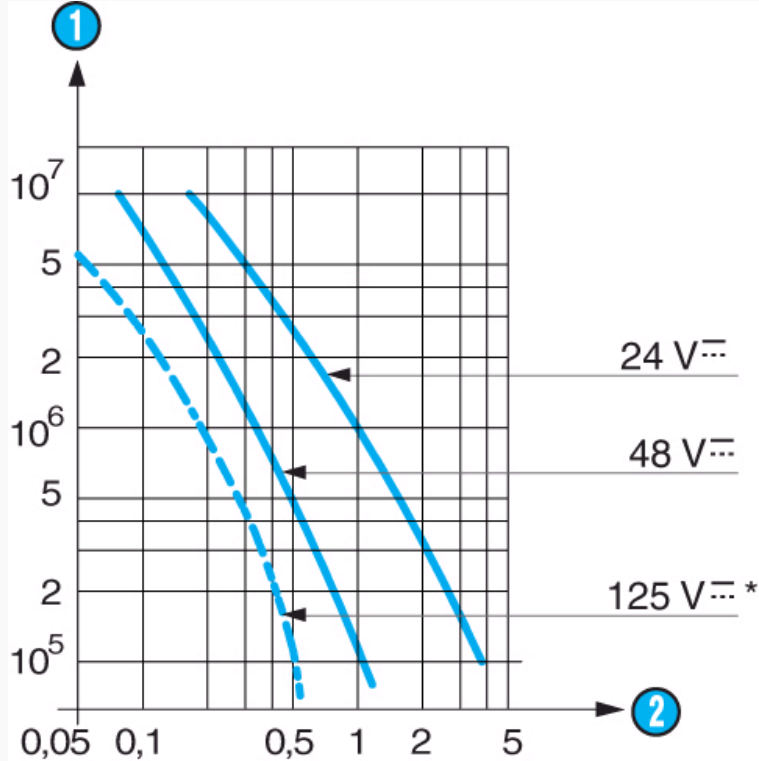
Operating curve for category AC15



| N° | Legend |
|----|----------------------|
| 1 | Number of operations |
| 2 | Current in Amps |

Curves

Operating curve for category DC13



* For IP67 versions used in 125 V DC, please consult us.

| N° | Legend |
|----|----------------------|
| 1 | Number of operations |

**Product coding 8324 x x x x****How to order****8324Xxxx (Contact/Force)**

- 0 : Standard/4.5N
- 1 : Low level/4.5N
- 2 : Standard/6.5N High force
- 3 : Low level/6.5N High force

8324xXxx (Sealing)

- 0 : IP 40
- 2 : IP 67

8324xxXx (Connection)

- 0 : W3 terminals for 6.35 mm female connector
- 1 : W3 90B terminals with 90° angle for 6.35 mm female connector
- 2 : W5 terminals with screw
- 3 : W5 terminals with screw and protective cover
- 4 : W5 terminals supplied without screws

8324xxxX (Accessory fitted)

- 0 : Without
- 1 : Mounting plates with holes
- 2 : Mounting plates with notches
- 3 : Roller lever (without plate)
- 4 : Roller lever with mounting plates with holes
- 5 : Roller lever with mounting plates with notches

Example : A PBX with Standard contact (AgNi), 6,5 N force, IP 67 sealing, W3 terminals and Roller lever accessory with mounting plates with holes = **83242204**

Accessories supplied separately :

- 79552459 : Mounting plates with holes
- 79552460 : Mounting plates with notches
- 79552456 : Roller lever (without plate)
- 79552457 : Roller lever with mounting plates with holes
- 79552458 : Roller lever with mounting plates with notches

Product adaptations

- Wire outputs, cable outputs
- Special levers and actuators
- Connections :
 - W3 terminals with angle between 0° and 90°
 - special add-on terminals
- Special protective cover
- UL CSA, CCC, GOST and VDE certification on request