

83139 Standard 831390 Part number 83139003


- IP 67 protection against hydrocarbons, detergents
- Double break switching
- Double insulated or Atex flameproof casing
- Choice of actuators

Part numbers

| | Type | Function | Connections |
|-----------------|-----------------|----------------|----------------------|
| 83139003 | Standard 831390 | I (changeover) | Standard lead output |

Specifications
Electrical characteristics

| | |
|------------------------------|----|
| Rating nominal / 250 VAC (A) | 6 |
| Rating thermal / 250 VAC (A) | 11 |

Mechanical characteristics

| | |
|---|--|
| Maximum operating force (N) | 3 |
| Min. Release force (N) | 0,6 |
| Maximum total travel force (N) | 4 |
| Max. permitted overtravel force (N) | 10 |
| Maximum rest position (mm) | A= 8,8 B= 9,8 |
| Operating position depending on position of fixing holes (mm) | A = 7.7 \pm 0.4 B = 8.7 \pm 0.4 |
| Maximum differential travel (mm) | 0,35 \pm 0,1 |
| Min. overtravel (mm) | 0,25 |
| Ambient operating temperature (°C) | 0 \rightarrow +85 |
| Mechanical life (operations) | 10 ⁷ |
| Contact gap (mm) | 0,3 x 2 |
| Weight (g) | 37 |

Fixations

| | |
|------------------------------|---|
| Fixings - 4 holes (standard) | A |
| Fixing - 2 holes | B |

Connections

| | |
|----------------------|---|
| Connection | 4 flexible leads 0.75 mm ² length 0.50 m Ø ext. 2.3 mm |
| Standard wire output | S |
| Wire output on right | D |
| Wire output on left | G |

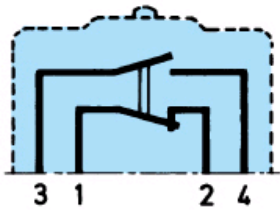
Additional specifications
Components
Material

- Case : polyester UL94V0
- Contacts : silver
- Membrane : nitrile for 83 139 0 silicon for 83 139 1/2/5

Levers

- stainless steel
- Roller : polyamide

Principles

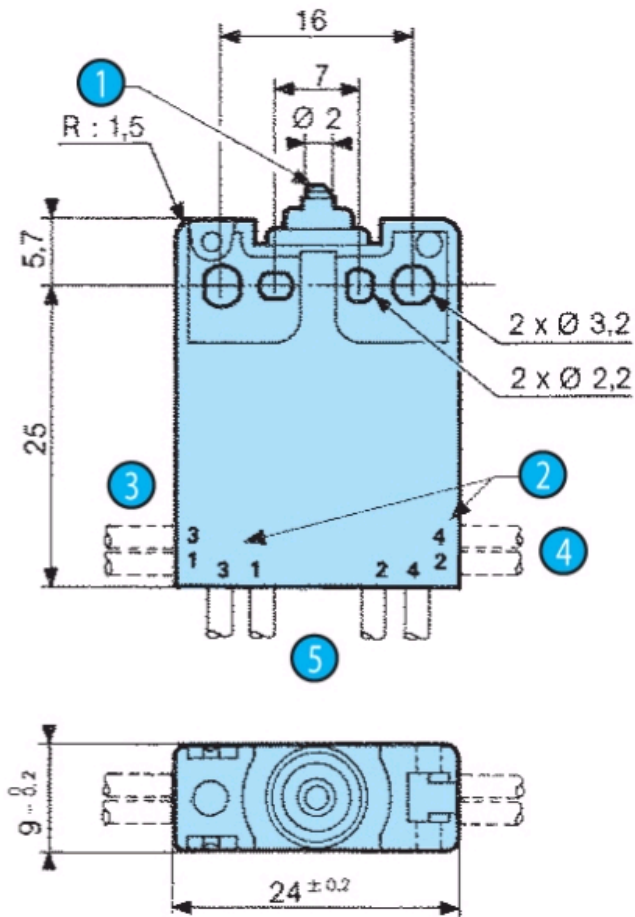


Dimensions (mm)

Product

83 139 0 - 5

A fixing = 4 holes

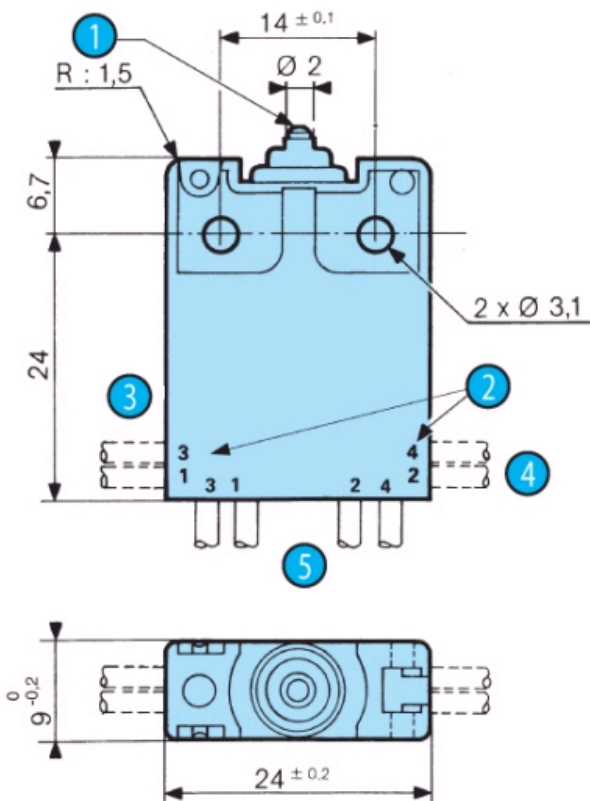


| N° | Legend |
|----|--|
| ① | R : 1.5 spherical |
| ② | Lead reference on casing |
| ③ | Lead output on left |
| ④ | Lead output on right |
| ⑤ | Standard lead output (black) 1 = black lead 2 = brown lead 3 = grey lead 4 = blue lead |

Dimensions (mm)

Product

83 139 0 - 1 - 5
B fixing = 2 holes

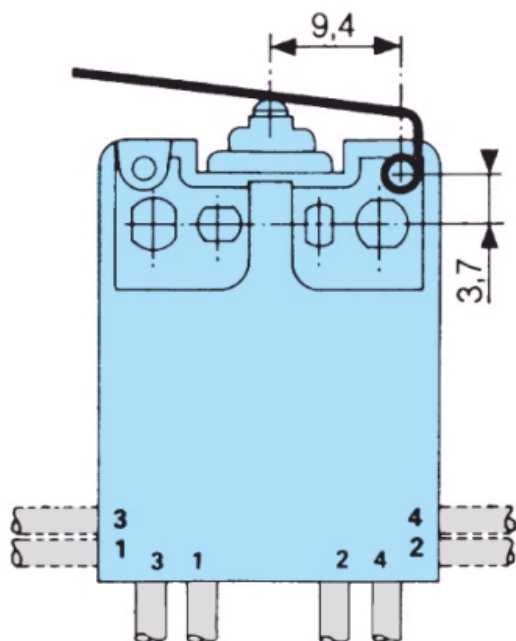


| N° | Legend |
|----|--|
| 1 | R : 1.5 spherical |
| 2 | Lead reference on casing |
| 3 | Lead output on left |
| 4 | Lead output on right |
| 5 | Standard lead output (black) 1 = black lead 2 = brown lead 3 = grey lead 4 = blue lead |

Dimensions (mm)

Actuator mounting positions

Type 139
A fixing = 4 holes



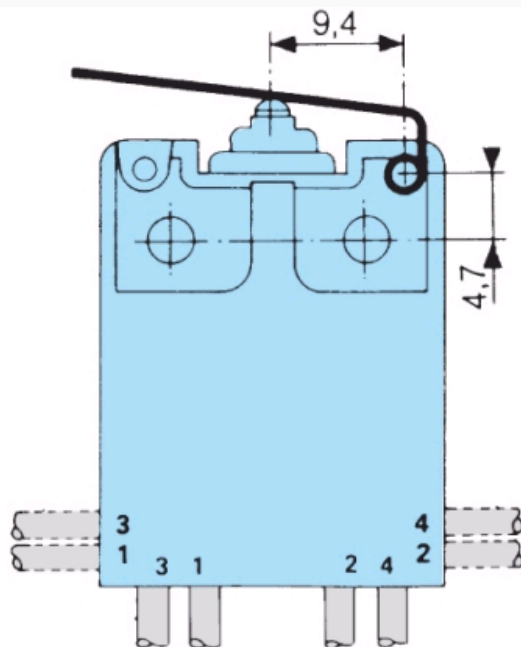
Sorties fils à gauche ou à droite 1 = fil noir 2 = fil brun 3 = fil gris 4 = fil bleu

Dimensions (mm)

Actuator mounting positions

Type 139

B fixing = 2 holes



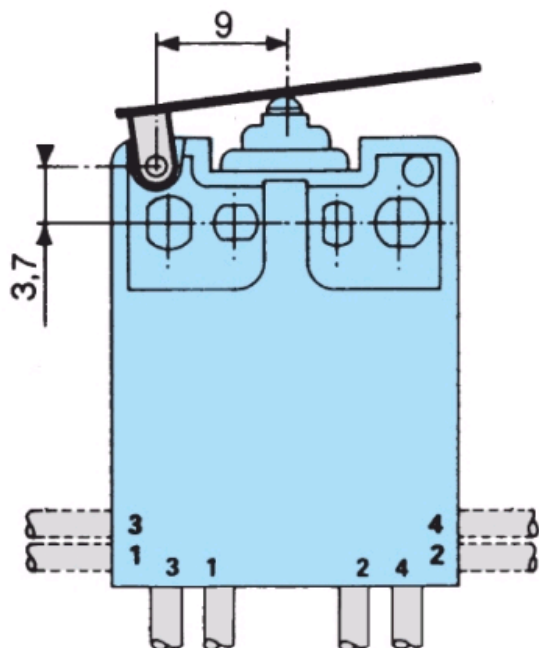
Sorties fils à gauche ou à droite 1 = fil noir 2 = fil brun 3 = fil gris 4 = fil bleu

Dimensions (mm)

Actuator mounting positions

Type 161

A fixing = 4 holes



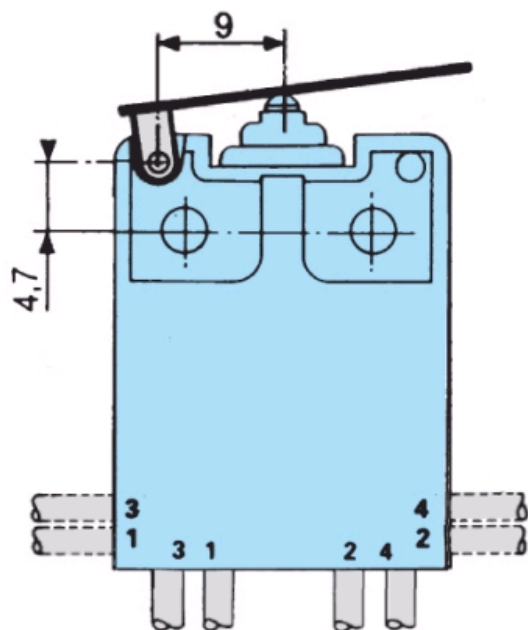
Sorties fils à gauche ou à droite 1 = fil noir 2 = fil brun 3 = fil gris 4 = fil bleu

Dimensions (mm)

Actuator mounting positions

Type 161

B fixing = 2 holes

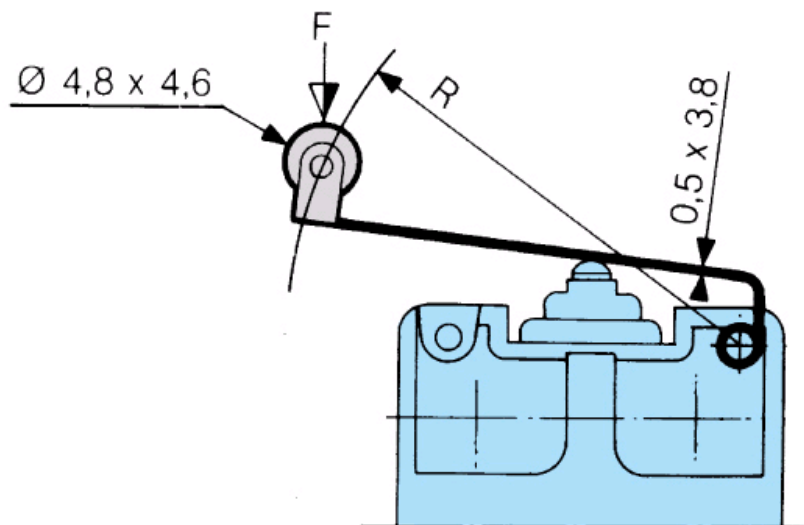


Sorties fils à gauche ou à droite 1 = fil noir 2 = fil brun 3 = fil gris 4 = fil bleu

Dimensions (mm)

Actuators

139 EX

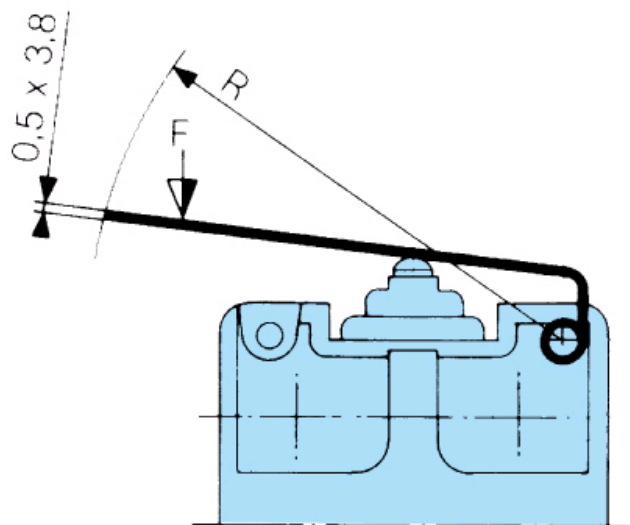


Sorties fils à gauche ou à droite 1 = fil noir 2 = fil brun 3 = fil gris 4 = fil bleu

Dimensions (mm)

Actuators

139 AX

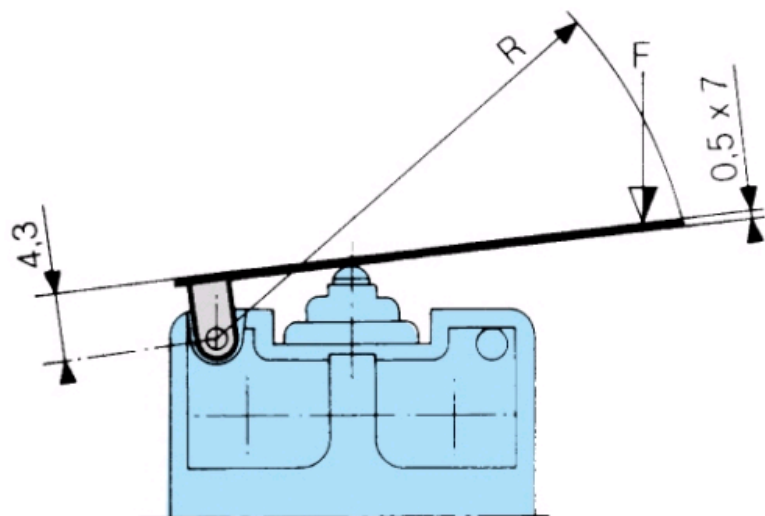


Sorties fils à gauche ou à droite 1 = fil noir 2 = fil brun 3 = fil gris 4 = fil bleu

Dimensions (mm)

Actuators

161 A

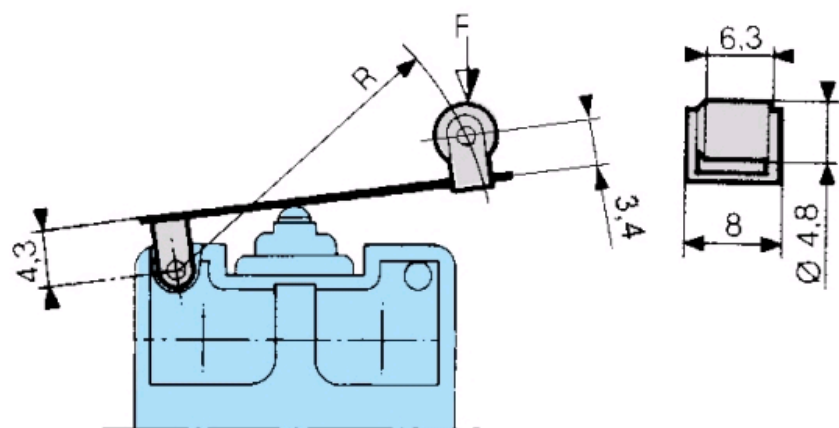


Sorties fils à gauche ou à droite 1 = fil noir 2 = fil brun 3 = fil gris 4 = fil bleu

Dimensions (mm)

Actuators

161 E

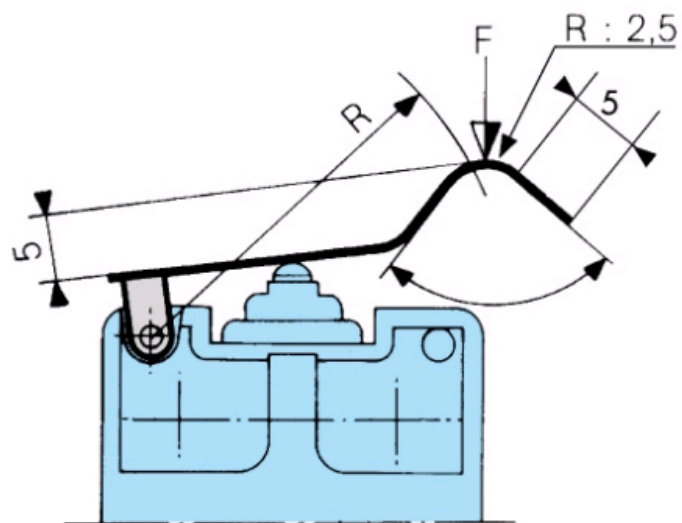


Sorties fils à gauche ou à droite 1 = fil noir 2 = fil brun 3 = fil gris 4 = fil bleu

Dimensions (mm)

Actuators

161 F

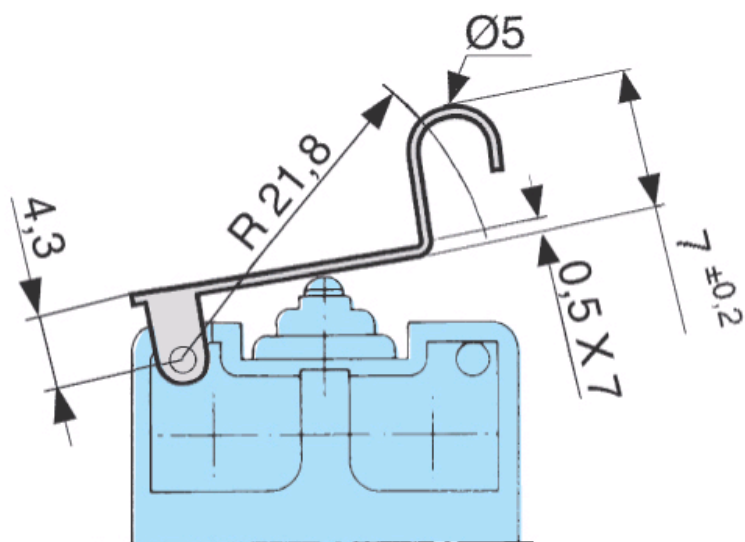


Sorties fils à gauche ou à droite 1 = fil noir 2 = fil brun 3 = fil gris 4 = fil bleu

Dimensions (mm)

Actuators

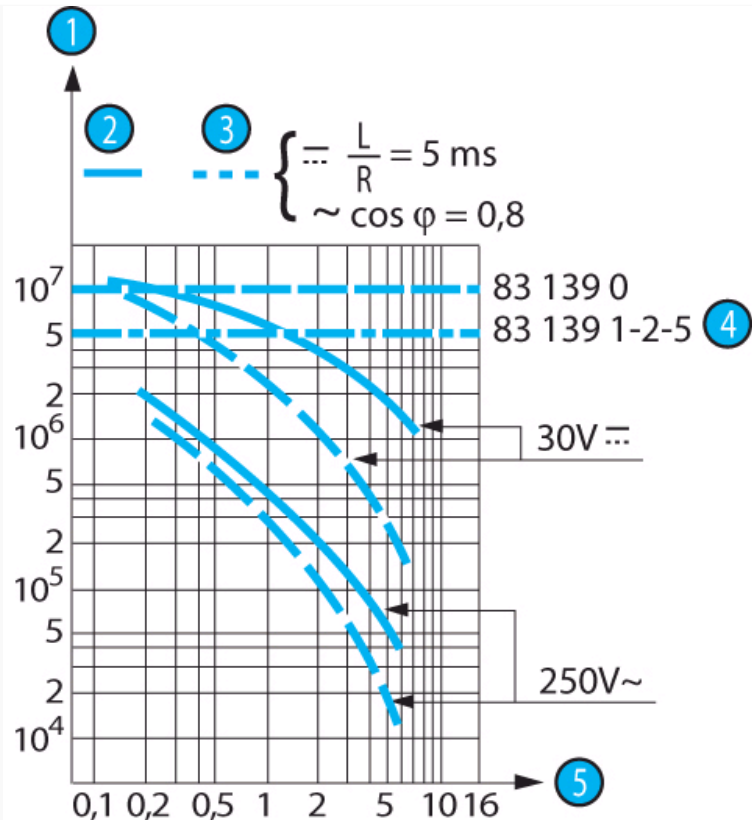
161 G



Sorties fils à gauche ou à droite 1 = fil noir 2 = fil brun 3 = fil gris 4 = fil bleu

Curves

Operating curve for types 83 139 0 / 1 / 2 / 5



| N° | Legend |
|----|-----------------------|
| 1 | Number of cycles |
| 2 | Resistive circuit |
| 3 | Inductive circuit |
| 4 | Mechanical life limit |
| 5 | Current in Amps |

Connections

Actuators and fixing positions

| Part numbers for standard actuators | | 79 215 740 | 70 507 524 | 79 215 742 | 70 507 529 |
|-------------------------------------|---------------------------|-----------------------------|-------------------------------|---------------------------------|------------|
| Actuators | Flat 139 AX R29.7 mm** | Roller 139 EX R28.7 mm** | Flat 161A R14.2 - R25.4 mm | Roller 161E R13.6 - R24.1 mm | |
| Operating force - max. | N | 1.5 | 1.5 | 2.6 | 1.7 |
| Release force - min. | N | 0.2 | 0.35 | 0.2 | 0.35 |
| Differential travel | mm | 1.5 | 0.7 | 1.25 | 0.7 |
| Part numbers for standard actuators | | 70 507 528 | 79 218 651 | | |
| Actuators | Flat 161F R22.3 mm | Dummy roller 161 GR21.8 | | | |
| Operating force - max. | N | 2 | 2 | | |
| Release force - min. | N | 0.2 | 0.2 | | |
| Differential travel | mm | 1.1 | 1.1 | | |

Unless indicated, flat actuators and roller actuators are delivered unmounted.
 ** Factory fitted

Note : We recommend greasing the switch pushbutton lightly when fitting actuators.

Other information

Product marking (83 139 1)

II 2 G
 EEx d IIC T6

Key to these symbols :

- Equipment used in potentially explosive atmospheres
- II - Equipment group for surface use
- 2 - Equipment category for zone 1
- G - Gas

EEx - The equipment complies with the protection methods standardised by CENELEC (European standards)

d - Protection method used : "d" flameproof casing

II - Surface industry

C - Most severe gas subdivision including hydrogen, acetylene and carbon disulphide

T6 - Temperature class corresponding to +85 °C

At the time of ordering, the customer must specify :

- The operating zone (0, 1 or 2)
- The type of atmosphere (gas or dust)
- The type of gas
- The ambient operating temperature

Product adaptations

- Special levers
- Special leads, cables, cable harnesses
- Specific operating temperatures