

Printview: Male connector; for DIN 35 rail mounting; 7-pole; pin spacing 7.62 mm / 0.3 in; 100% protected against mismatching; codable - Item No.: 831-3207/007-000

**WAGO**® online catalog / eShop

**Male connector; for DIN 35 rail mounting; 7-pole; pin spacing 7.62 mm / 0.3 in; 100% protected against mismatching; codable**

Item No.: 831-3207/007-000



Male connector; for DIN 35 rail mounting; 7-pole; pin spacing 7.62 mm / 0.3 in; 100% protected against mismatching; codable

## Marking

RoHS ✓  
Compliant

## Business data

Supplier	WAGO
Item no.	831-3207/007-000
GTIN / EAN	4045454333812
Content	1
Order amount	12
Customer item number	

## Notes

Universal connection for all conductor types Simple push-in of both solid and ferruled conductors Integrated test ports for 2mm Ø test plugs 600V to UL 1059 100% protected against mismatching Coding option available

## Technical data

### Miscellaneous

No. of poles	7
Pin Spacing	7.62 mm (0.3 in %)
Total number of connection points	7
Total number of potentials	7
Color	light gray
Ratings according to 1	IEC/EN 60664-1
Overvoltage category EN 1	III

Printview: Male connector; for DIN 35 rail mounting; 7-pole; pin spacing 7.62 mm / 0.3 in; 100% protected against mismatching; codable - Item No.: 831-3207/007-000

<b>Technical data</b>	
<i>Pollution degree (1)</i>	2
<i>Rated voltage EN (1) [V]</i>	1000 [V]
<i>Rated surge voltage (1) [kV]</i>	8 [kV]
<i>Nominal current [A]</i>	41 [A]
<i>Overvoltage category EN 2</i>	II
<i>Degree of pollution (2)</i>	2
<i>Rated voltage EN (2) [V]</i>	1000 [V]
<i>Rated surge voltage (2) [kV]</i>	8 [kV]
<i>Nominal current (2) [A]</i>	41 [A]
<i>Overvoltage category EN 3</i>	III
<i>Degree of pollution (3)</i>	3
<i>Rated voltage EN (3) [V]</i>	800 [V]
<i>Rated surge voltage (3) [kV]</i>	8 [kV]
<i>Nominal current (3) [A]</i>	41 [A]
<i>Number of individual connection objects at the product</i>	1
<i>Connection technology (1)</i>	Push-in CAGE CLAMP®
<i>Solid sizes 1</i>	0.5 ... 10 mm <sup>2</sup> / 20 ... 8 AWG
<i>Fine-stranded wires 1</i>	0.5 ... 10 mm <sup>2</sup> / 20 ... 8 AWG
<i>Fine-stranded wires with insulated ferrule 1</i>	0.5 ... 6 mm <sup>2</sup> / ...
<i>Fine-stranded wires with uninsulated ferrule 1</i>	0.5 ... 6 mm <sup>2</sup> / ...
<i>Strip length 1</i>	13 ... 15 mm / 0.51 ... 0.59 in
<i>Connection type</i>	Quick-connect/Solder contact
<i>Type of wiring</i>	Side-entry wiring
<i>Material group</i>	I
<i>Insulating material</i>	Polyamide 66 (PA 66)
<i>Flammability rating per UL 94</i>	V0
<i>Limit temperature range</i>	-60 C ... 105 C
<i>Clamping spring material</i>	Chrome-nickel spring steel (CrNi)
<i>Contact material</i>	Electrolytic copper (Ecu)
<i>Contact plating</i>	tin-plated
<i>Fire load [MJ]</i>	0.929 [MJ]
<i>Weight [g]</i>	49.1 [g]
<i>Width</i>	55.22 mm / 2.174 in
<i>Height</i>	39 mm / 1.535 in

Printview: Male connector; for DIN 35 rail mounting; 7-pole; pin spacing 7.62 mm / 0.3 in; 100% protected against mismatching; codable - Item No.: 831-3207/007-000

---

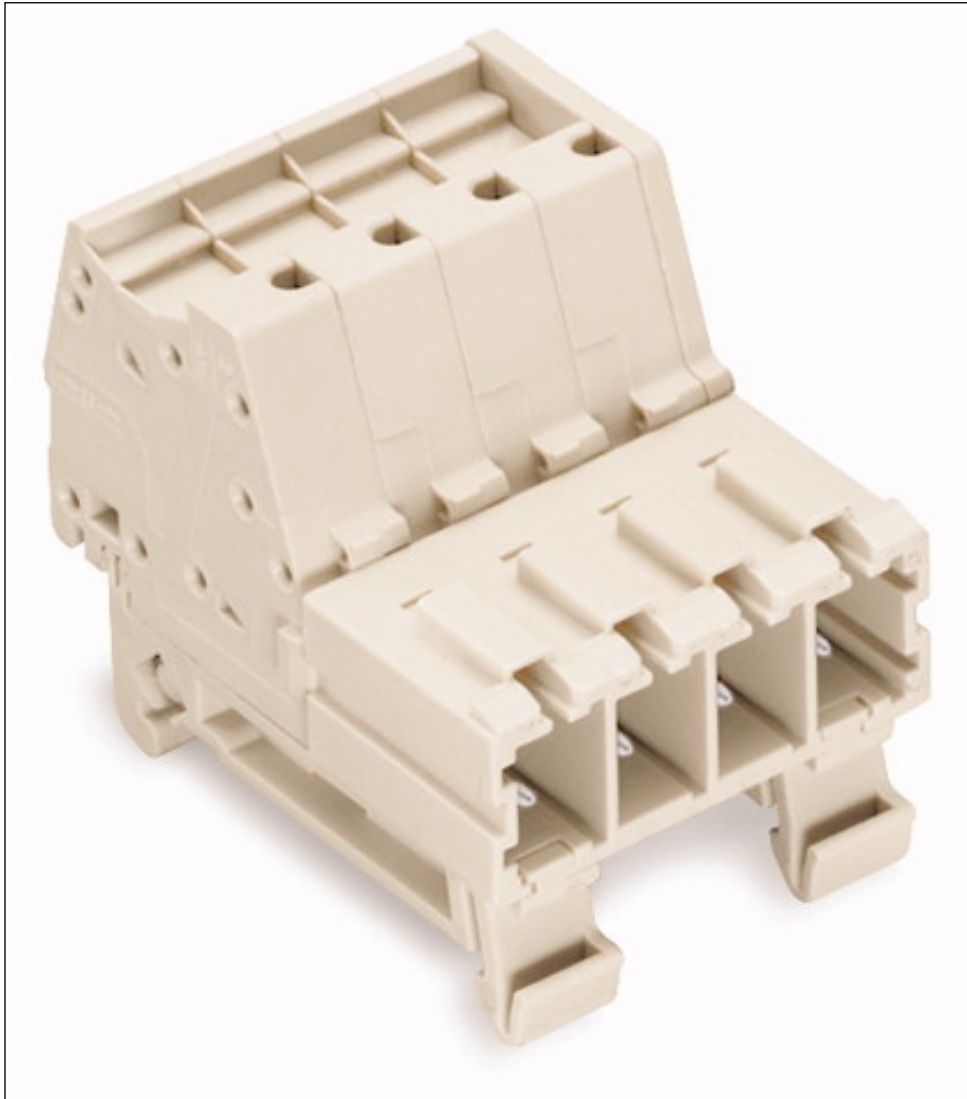
**Technical data**

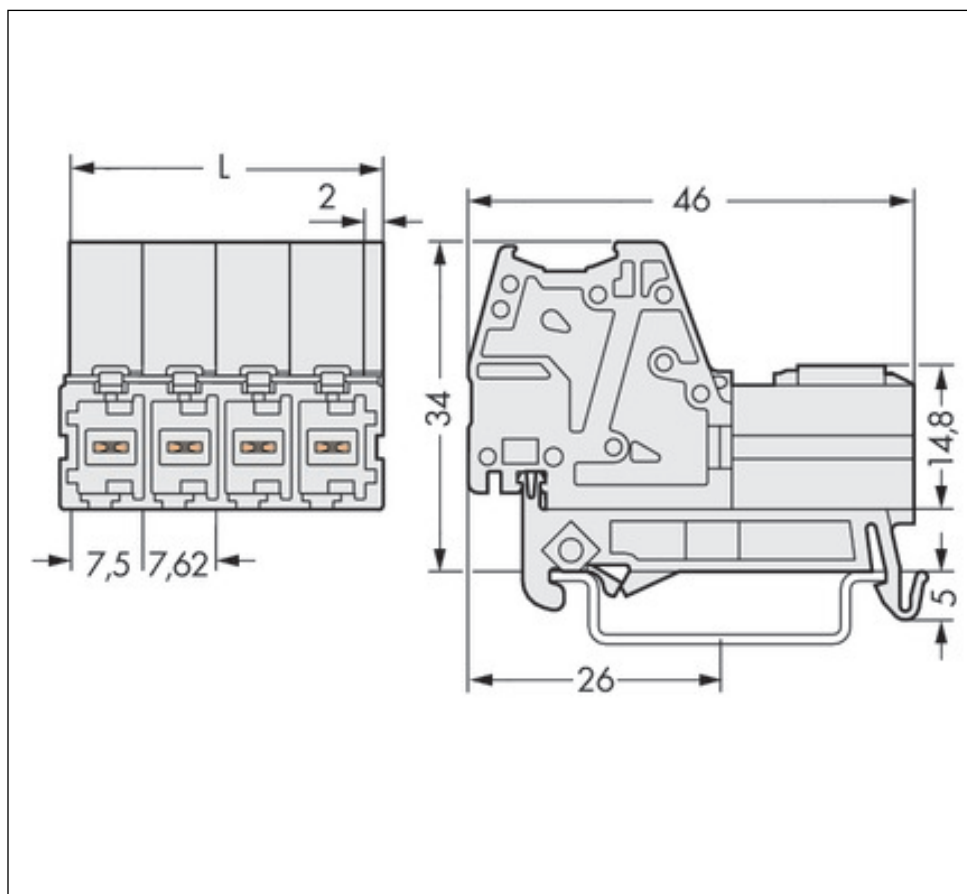
<i>Height from upper-edge of DIN-rail [mm]</i>	<i>34 [mm]</i>
<i>Height from upper-edge of DIN-rail</i>	<i>34 mm / 1.339 in</i>
<i>Length</i>	<i>46 mm / 1.811 in</i>

Printview: Male connector; for DIN 35 rail mounting; 7-pole; pin spacing 7.62 mm / 0.3 in; 100% protected against mismatching; codable - Item No.: 831-3207/007-000

---

## Images & drawings





#### Address

WAGO Kontakttechnik GmbH & Co. KG

Hansastr. 27

32423 Minden

Telefon: 0571/887-0

Fax: 0571/887-169

<http://www.wago.com>

© WAGO Kontakttechnik GmbH & Co. KG

Technische Änderungen und Irrtümer vorbehalten.