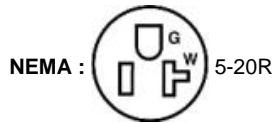


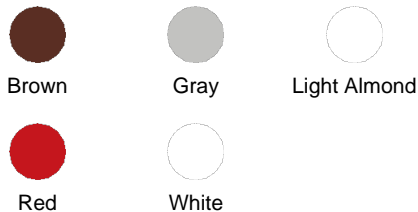


UPC Code : 078477057186

Country Of Origin : Mexico



Available Colors :



## 8300-SGI

Duplex Receptacle Outlet, Extra Heavy-Duty Hospital Grade, Tamper-Resistant, Smooth Face, 20 Amp, 125 Volt, Back or Side Wire, NEMA 5-20R, 2-Pole, 3-Wire, Self-Grounding - Ivory

### Technical Information

#### AC Horsepower Ratings

**Horsepower Rating** : 1 HP

#### Electrical Specifications

**Amperage** : 20 A

**Current Limiting** : Full Rated Current

**Dielectric Voltage** : Withstands 2000V per UL498

**Grounding** : Self-Grounding

**Pole** : 2

**Temperature Rise** : Max 30C after 250 cycles OL at 200 percent rated current

**Voltage** : 125 VAC

**Wire** : 3

#### Environmental Specifications

**Operating Temperature** : -40°C to 60°C

#### Material Specifications

**Body Material** : Nylon

**Clamp Nuts** : Nickel-Plated Brass

**Face Material** : Nylon

**Ground Clips** : Nickel-Plated Brass

**Grounding Screw** : Nickel-Plated Brass 8-32

**Line Contacts** : Nickel-Plated Brass Triple-Wipe .031 Thick

**Terminal Screws** : Nickel-Plated Brass 10-32

**Yoke** : Nickel-Plated Brass

#### Mechanical Specifications

**Product ID** : Ratings are permanently marked on device

**Terminal Accom.** : 14-10 AWG

**Terminal ID** : Brass-Hot, Green-Ground, White-Neutral

**Termination** : Back or Side Wire

#### Product Features

**Amperage** : 20 A

**Body Material** : Nylon

**Color** : Ivory

**Device Type** : Duplex Receptacle Outlet

**Face Material** : Nylon

**Feature** : Tamper-Resistant, Smooth Face

**Grade** : Extra Heavy-Duty Hospital Grade

**Grounding** : Self-Grounding

**NEMA** : 5-20R

**Pole** : 2

**Standards and Certifications** : UL/CSA

**Strap Material** : Nickel Plated Brass

**Voltage** : 125 VAC

**Warranty** : 10-Year Limited

**Wire** : 3

#### Standards and Certifications

**ANSI** : C-73

**CSA C22.2 No. 42** : File 152105

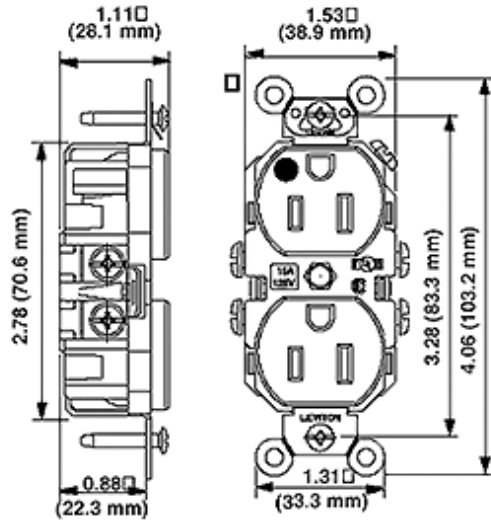
**NEMA** : WD-1 & WD-6

**NOM** : 057

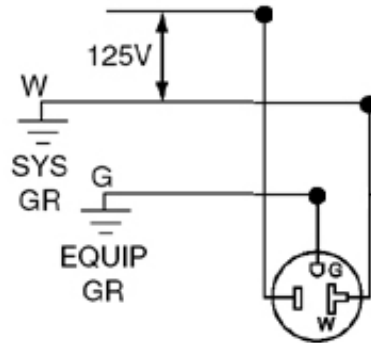
**RoHS** : Compliant

**UL Fed Spec WC-596** : File E13399

**UL498HG** : File E13399



**Wiring Diagram**



**5-20R**

**SPECIFICATION SUBMITTAL**

JOB NAME:	CATALOG NUMBERS:	
<input type="text"/>	<input type="text"/>	<input type="text"/>
JOB NUMBER:	<input type="text"/>	<input type="text"/>

**Leviton Manufacturing Co., Inc.**

201 North Service Road, Melville, NY 11747

Telephone: +1-800-323-8920 · FAX: +1-800-832-9538 · Tech Line (8:30AM-7:30PM E.S.T. Monday-Friday):

+1-800-824-3005

**Leviton Manufacturing of Canada, Ltd.**

165 Hymus Boulevard, Pointe Claire, Quebec H9R 1E9 · Telephone: +1-800-469-7890 ·

FAX: +1-800-824-3005 · [www.leviton.com/canada](http://www.leviton.com/canada)

**Leviton S. de R.L. de C.V.**

Lago Tana 43, Mexico DF, Mexico CP 11290 · Tel.: (+52)55-5082-1040 · FAX: (+52)5386-

1797 · [www.leviton.com.mx](http://www.leviton.com.mx)

Visit our Website at: [www.leviton.com](http://www.leviton.com)

© 2018 Leviton Manufacturing Co., Inc. All Rights Reserved. Subject to change without notice.

**Leviton has a global presence.**

If you would like to know where your local Leviton office is located please go to:

[www.leviton.com/international/contacts/](http://www.leviton.com/international/contacts/)

