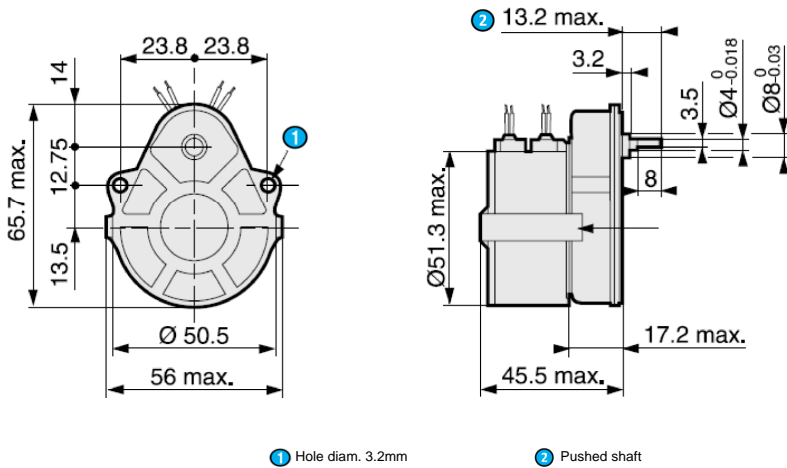


Stepper gearmotor Data sheet

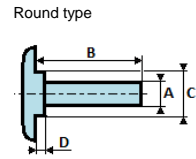
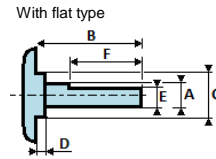
82 924 062
ratio 600 - 4 phases

Series
829240

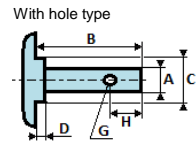


① Hole diam. 3.2mm

② Pushed shaft



Shaft ref.	Standard
Type	With flat type
φA	4 -0,018 +0
B	13,2 max
φC	8 -0,03 +0
D	3,2
E	3,5 -0,2 +0
F	8
φG	
H	



Product

Code	82 924 062		
Family	82924		
Type	Stepper gearmotor		
Definition	Motor 82920 1,7W 500 rpm nominal 7,5 °/t 48 step/t + Gearbox Ovoide ratio 600	4 phases 46 Ohms/phase	

General characteristics

Motor characteristics (1)	
Motor type	829200
Number of phases	4
Input power	W 7,5
Phase resistor	Ohm 46
Phase inductance	mH 24
Phase current	A 0,28
Maintain torque	mNm 70
Voltage per phase	Vcc 12,9
Step angle	deg 7,5
Step precision	% 5
Rotor inertia	g.cm ² 18,8
Max. detent torque	mNm 6
Weight	g 210
Output leads	
UL style 1569 105°C 300V - 6 leads AWG24 250 mm +- 10	

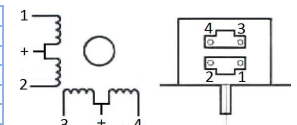
Gearmotor characteristics (1) (2)		A	B	C	D
Additional resistor /phase	Ohm	0	46	92	138
Voltage (phase + add. resistor)	Vcc	12,9	25,8	38,7	51,6
Max. output power	W	0,50	0,90	1,05	1,17
Speed at max. output power	rpm	0,5	0,7	0,8	0,8
Torque at max. output power	Nm	10,17	12,63	12,86	14,35
Max. current	A		0,28		
Weight	g	140			
Noise level	dBA	35			
Motor fixing on gearbox		✓ Clip		Screws	
Miscellaneous					
Dielectric (1s/2mA/50Hz)	CEI60335	Vac	600		
Motor insulation	CEI60085	class	B		
Degree of protection	CEI60529	IP	40		
Temperature range	CEI60068-2-1/2	°C	-30 -> +70		
Storage temperature		°C	-40 -> +80		
Approvals					
ROHS	2011/65/UE		✓		
EC	2014/30/UE		✓		

Notes	
Values without tolerance, are average production values.	
(1) Cold motor, 20 ° C ambient temperature, full speed	
(2) Without taking in count the torque gearbox limits, check gearbox characteristics	
(3) Continuously rated torque, zero radial and axial loads	
(4) Max torque for continuous operation at 20 ° C, decrease this value for higher ambient temperature	

Command sequence

Drive sequence for Clock Wise rotation

Step	1	2	3	4
1	-	-	-	-
2	-	-	-	-
3	-	-	-	-
4	-	-	-	-
5	-	-	-	-



Gearbox Characteristics

Type	Ovoide	81021
ratio	600	
Shaft	standard	
Front bearing	brass	
Continuous max. torque	Nm	0,5
Max. Radial force (6mm from front face)	N	80
Max. axial force	N	10
Weight	g	275

