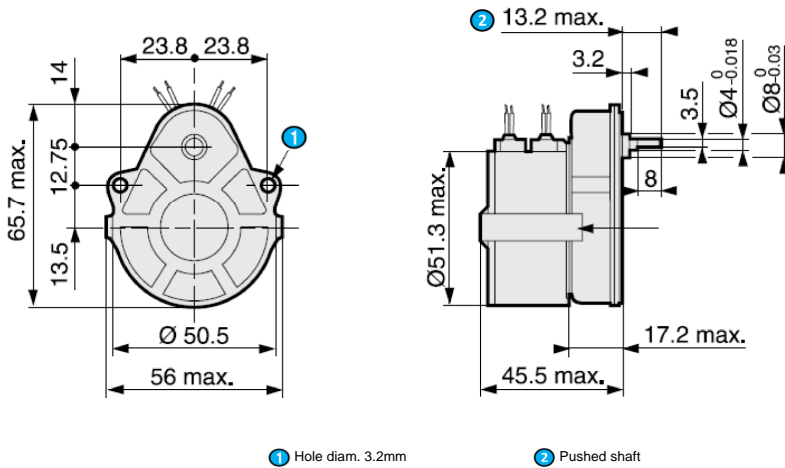


# Stepper gearmotor Data sheet

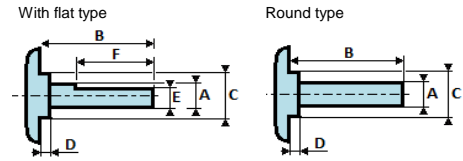
82 924 036  
ratio 60

Series  
**829240**

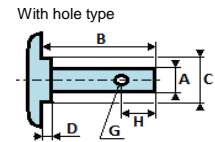


① Hole diam. 3.2mm

② Pushed shaft



Shaft ref.	Standard
Type	With flat type
φA	4 -0,018 +0
B	13,2 max
φC	8 -0,03 +0
D	3,2
E	3,5 -0,2 +0
F	8
φG	
H	



## Product

Code	82 924 036		
Family	82924		
Type	Stepper gearmotor		
Definition	Motor 82920 1,7W 500 rpm nominal 7,5 °/t 48 step/t + Gearbox Ovoide ratio 60	2 phases	10,7 Ohms/phase

## General characteristics

Motor characteristics (1)		829200			
Motor type		829200			
Number of phases		2			
Input power	W	7,5			
Phase resistor	Ohm	10,7			
Phase inductance	Mh	24			
Phase current	A	0,59			
Maintain torque	mNm	70			
Voltage per phase	Vcc	6,3			
Step angle	deg	7,5			
Step precision	%	5			
Rotor inertia	g.cm <sup>2</sup>	18,8			
Max. detent torque	mNm	6			
Weight	g	210			
<b>Output leads</b>					
UL style 1569 105°C 300V - 4 leads AWG24		250 mm +- 10			

Gearmotor characteristics (1) (2)		A	B	C	D
Additional resistor /phase	Ohm	0	10,7	21,4	32,1
Voltage (phase + add. resistor)	Vcc	6,3	12,6	18,9	25,2
Max. output power	W	0,51	0,88	1,18	1,48
Speed at max. output power	rpm	3,6	5,2	6,3	7,8
Torque at max. output power	Nm	1,34	1,67	1,80	1,82
Max. current	A	0,59			
Weight	g	140			
Noise level	dBA	35			
Motor fixing on gearbox		✓ Clip		Screws	
<b>Miscellaneous</b>					
Dielectric (1s/2mA/50Hz)	CEI60335	Vac	600		
Motor insulation	CEI60085	class	B		
Degree of protection	CEI60529	IP	40		
Temperature range	CEI60068-2-1/2	°C	-30 -> +70		
Storage temperature		°C	-40 -> +80		
<b>Approvals</b>					
ROHS	2011/65/UE		✓		
EC	2014/30/UE		✓		

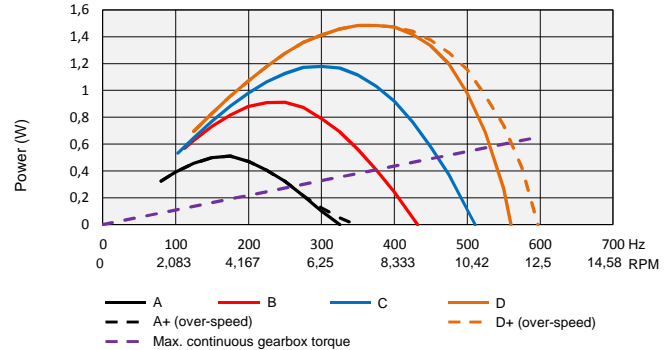
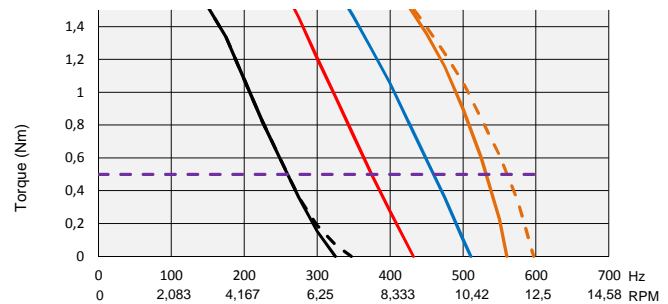
Notes	
Values without tolerance, are average production values.	
(1) Cold motor, 20 ° C ambient temperature, full speed	
(2) Without taking in count the torque gearbox limits, check gearbox characteristics	
(3) Continuously rated torque, zero radial and axial loads	
(4) Max torque for continuous operation at 20 ° C, decrease this value for higher ambient temperature	

## Command sequence

Drive sequence for Clock Wise rotation

Step	1	2	3	4
1	-	+	-	+
2	-	+	+	-
3	+	-	+	-
4	+	-	-	+
5	-	+	-	+

Gearbox Characteristics		
Type	Ovoide	81021
ratio	60	
Shaft	standard	
Front bearing	Brass	
Continuous max. torque	Nm	0,5
Max. Radial force (6mm from front face)	N	80
Max. axial force (5)	N	10
Weight	g	275



Specifications subject to change without notice. Updated 15/09/2016