



## 5 Nm RC65 3.9 Watts 3.9 W Part number 82867007



- Torque rating of gearboxes : 5 Nm, metal gears
- Motors : nominal power 3 W / interference suppression for standard stocked products
- Speed range : 1.7 to 344 rpm
- Optional encoder built into the motor

### Part numbers

	Type	Type	Voltage	Output speed (rpm)	Ratios (i)
82867001	3.9 W	828670	12 V	344	12,5
MADE TO ORDER	3.9 W	828670	12 V	258	50/3
82867002	3.9 W	828670	12 V	172	25
82867003	3.9 W	828670	12 V	103	125/3
82867004	3.9 W	828670	12 V	69	62,5
82867005	3.9 W	828670	12 V	34	125
MADE TO ORDER	3.9 W	828670	12 V	17	250
82867006	3.9 W	828670	12 V	8,6	500
MADE TO ORDER	3.9 W	828670	12 V	1,72	2500
82867007	3.9 W	828670	24 V	344	12,5
MADE TO ORDER	3.9 W	828670	24 V	258	50/3
82867008	3.9 W	828670	24 V	172	25
82867009	3.9 W	828670	24 V	103	125/3
82867010	3.9 W	828670	24 V	69	62,5
82867011	3.9 W	828670	24 V	34	125
MADE TO ORDER	3.9 W	828670	24 V	17	250
82867012	3.9 W	828670	24 V	8,6	500
MADE TO ORDER	3.9 W	828670	24 V	1,72	2500

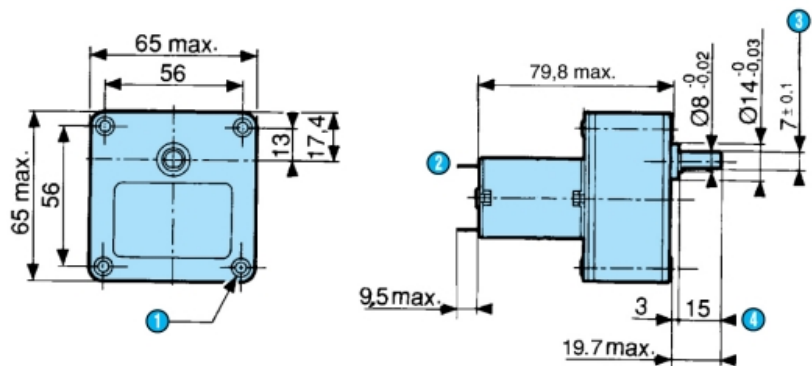
### Specifications

#### General characteristics

Motor	828600
Gearbox	810370
Maximum permitted torque from gearmotor under continuous conditions for 1 million turns (Nm)	5
Axial load dynamic (daN)	2
Radial load dynamic (daN)	3
Max. output power (W)	3,9
Nominal output (W)	3
Gearbox case temperature rise (°C)	50
Weight (g)	465

#### Dimensions (mm)

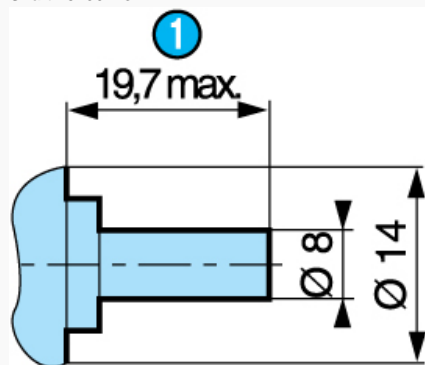
828670



N°	Legend
1	4 fixing holes Ø M4 x 12
2	2 standard tags NFC 20-120, series 2.8 x 0.5 mm
3	7 ± 0.1 across flats
4	Shaft pushed-in

**Dimensions (mm)**

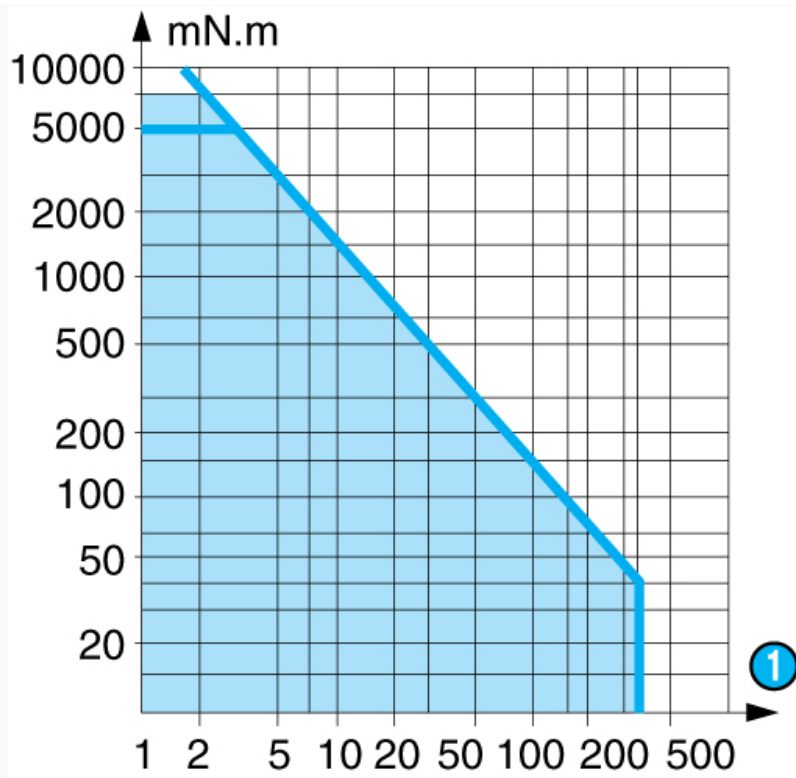
Shaft 79206478



N°	Legend
1	Shaft pushed-in

**Curves**

Curve : torque/nominal speed



N°	Legend
1	rpm

#### Product adaptations



- Special supply voltage
- Lead output
- 1 or 5 pulse Hall effect encoder
- Special connectors
- Special shaft
- Special reduction ratio (40 ratios available from 4 to 3750)
- Special materials for gears
- Special ball bearings
- Special adaptor plate
- EMC filter
- With shorter 1 W motor