

Flashing Beacon 828 X00 XX

(provisional technical data sheet)

WERMA Signaltechnik
GmbH + Co.
Dürbheimer Straße 15
D-78604 Rietheim-Weilheim
Phone 0049/7424/9557-0
Fax 0049/7424/9557-44

Electrical specifications:

Operating voltage U_{nenn} = see table
Power: 5 – 8 W
Flash frequency: approx. 1 Hz
Flash power: 3 - 4 Ws

Duty cycle: 100 % ED
Working life: 4×10^6 flashes

Further specifications:

Housing material: PC / ABS
Cap material: PC
Terminal: screwable connection
with wire protector
approx. 220g

Weight:
Working Temperature: -20°C bis +50°C
Protection rating: IP 65

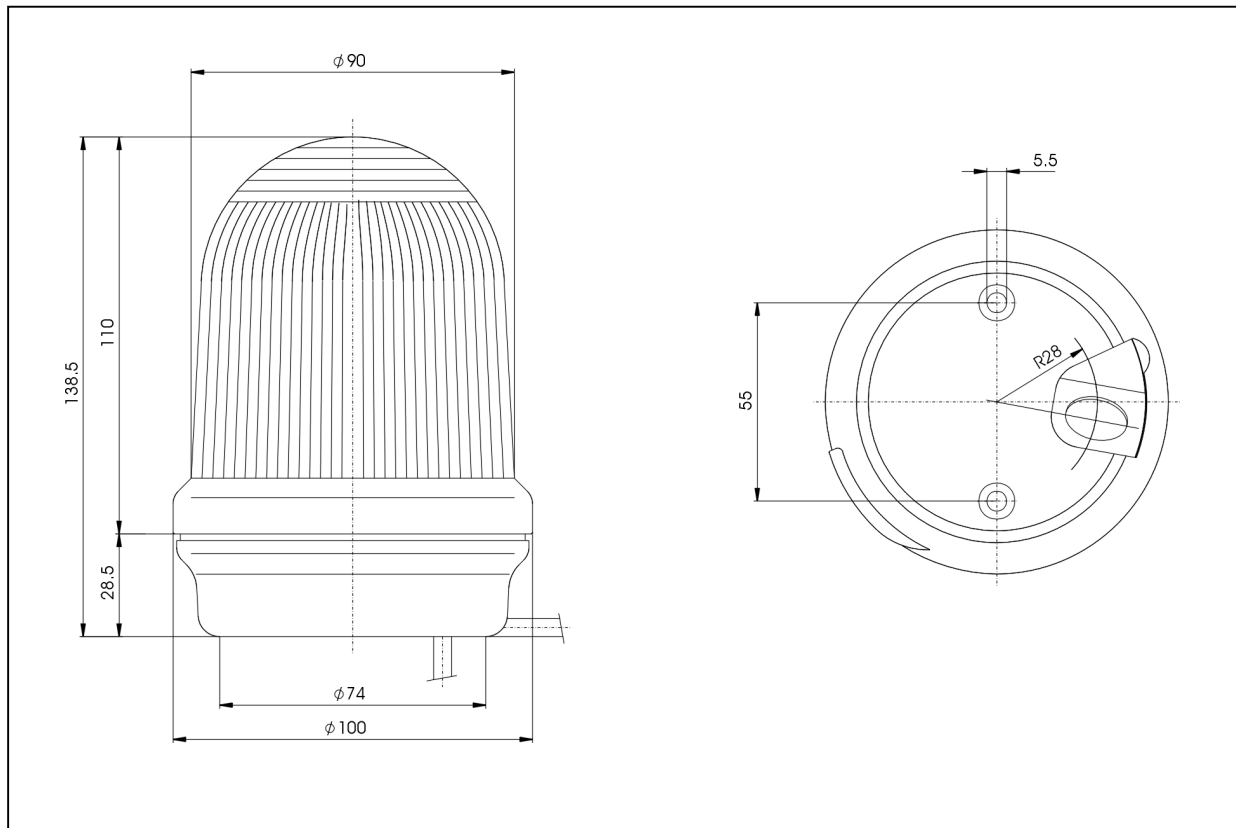
Regulations: Conform to current
EC-regulations.

Order-No.:

828 x00 54	12 V -	500 mA	3 Ws (with floating Switch)
828 x00 55	24 V -	300 mA	4 Ws
828 x00 67	115 V ~	65 mA 50-60 Hz	3 Ws (60 Hz max. 120 V ~)
828 x00 68	230 V ~	150 mA 50-60 Hz	4 Ws

x 1 = red 2 = green 3 = yellow 4 = clear 5 = blue

All specifications refer to U_{nenn} and room temperature!



	Drawn up	proved	released	Data-sheet-No.
Name	E. Rudischhauser	R. Isenmann	H. Elsäßer	000 828 501
Date	2001-11-20	2001-12-07	2001-12-07	Page 1 of 1